



CATALOG 2020

PART 1

MICROSCOPES FOR EDUCATION, LIFE SCIENCE AND INDUSTRY

PART 1 MICROSCOPES FOR EDUCATION

PART 2 MICROSCOPES FOR LIFE SCIENCE

PART 3 MICROSCOPES FOR INDUSTRY



contents

euromex MICROSCOPE COLLECTION 2020



PART 1	EDUCATION biological microscopes	1
	EDUCATION stereo microscopes	2
	EDUCATION digital solutions	3
PART 2	LIFE SCIENCE biological microscopes	4
	LIFE SCIENCE fluorescence microscopes	5
	LIFE SCIENCE stereo microscopes	6
	LIFE SCIENCE digital solutions	7
PART 3	INDUSTRY stereo microscopes	8
	INDUSTRY materials science microscopes	9
	INDUSTRY digital solutions	10
OTHER	ACCESSORIES for microscopy	11
	OTHER OPTICAL PRODUCTS magnifiers instruments	12

about euromex

1

EDUCATION | BIOLOGICAL MICROSCOPES

MicroBlue • EcoBlue • BioBlue
BioBlue.Lab • bScope • iScope

2

EDUCATION | STEREO MICROSCOPES

EduBlue • StereoBlue
NexiusZoom • AP series

3

EDUCATION | DIGITAL SOLUTIONS

Digital microscopes • MacroZoom • USB cameras • HD cameras • WiFi cameras
Cooled cameras • Tablet cameras • Software • Adapters

4

LIFE SCIENCE | BIOLOGICAL MICROSCOPES

iScope • bScope • Delphi-X Observer • Oxion
BioBlue.Lab • Oxion Inverso • Delphi-X Inverso

5

LIFE SCIENCE | FLUORESCENCE MICROSCOPES

iScope • bScope • Delphi-X Observer • Oxion • Oxion Inverso
Delphi-X Inverso • LED light sources (fluorescence) • Fluorescence filter sets

6

LIFE SCIENCE | STEREO MICROSCOPES

NexiusZoom (EVO) • StereoBlue • DZ series
Z series • P series

7

LIFE SCIENCE | DIGITAL SOLUTIONS

Digital microscope • MacroZoom • WiFi camera • USB cameras
HD cameras • Cooled cameras • Tablet camera • Software • Adapters

8

INDUSTRY | STEREO MICROSCOPES

NexiusZoom, -EVO and -ESD • NexiusZoom for Gemology
StereoBlue • DZ series • Z series • BE-50 series • P series

9

INDUSTRY | MATERIALS SCIENCE MICROSCOPES

iScope (materials & polarization) • bScope
Delphi-X Observer • Oxion • Oxion Inverso

10

INDUSTRY | DIGITAL SOLUTIONS

Digital microscopes • MacroZoom • WiFi camera • USB cameras
HD cameras • Cooled cameras • Tablet cameras • Software • Adapters

11

ACCESSORIES | FOR MICROSCOPY

Illumination solutions • Preparation accessories • Dissection kits
Microscope prepared slides • Disposables • Stains

12

OTHER OPTICAL PRODUCTS

Magnifiers & measuring microscopes • Refractometers
Polarimeters • Spectroscopes • Pathology Scanner

Euromex Microscopen bv is a leading manufacturer of microscopes and other optical instruments. Founded in 1966, Euromex has become a world-class supplier of biological, stereo and metallurgical microscopes

The corporate office is based in Arnhem, The Netherlands. A facility with a 2,000 m² conditioned logistics warehouse, an opto-mechanical workshop, an R&D department and a high-level quality control department

Around the world, Euromex operates in more than 120 countries through distributors, resellers and agents. A wide variety of customers such as schools and educational institutes, clinical and research laboratories and a broad range of industrial customers are using Euromex microscopes

Euromex Microscopen bv is a subsidiary of **Euromex Optics Group bv**, a group holding company with active subsidiaries in the field of optical instruments and high level optical and opto-mechanical components

The broad product offering of Euromex can be found in this grand catalog and online at **www.euromex.com**

Physix Photonics bv is also a subsidiary of the Euromex Optics Group. Physix manufactures optical components and optical assemblies for OEM customers. The offering varies from plan optics, curved optics, specials optics to optical coatings. Detailed information about Physix Photonics can be found on **www.physix.com**

choose the right microscope

We have made a guide to help you find the right microscope for your specific application. A list of recommended models for most common applications in education, life science and industry can simplify your selection

SEE PAGE 398

At the end of the catalog you'll also find an index page, listing the products featuring in this catalog alphabetically

SEE PAGE 406

education

biological microscopes



biological microscopes



The Euromex biological BlueLine educational product range is the product of many years of experience and the extensive knowledge of our optical engineers. Input from practice teachers, professors and students in combination with the high-level design and manufacturing capabilities of Euromex have resulted in these high quality instruments

The outstanding optical performance of the ergonomic Euromex BlueLine microscopes enables long productive working sessions for initiation, intermediate and advanced science teaching classes

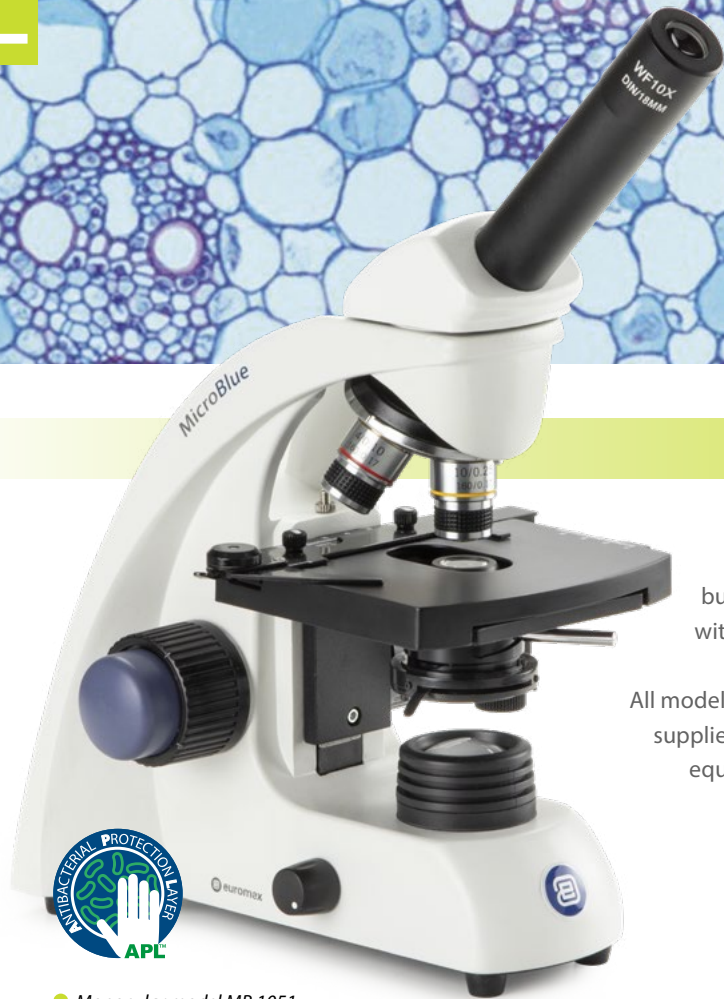
MICROBLUE • PAGE 10
ECOBUE • PAGE 16
BIOBLUE • PAGE 22
BIOBLUE.LAB • PAGE 28
BSCOPE • PAGE 32
ISCOPE • PAGE 38

BIOLOGICAL MICROSCOPES

BlueLine
DUTCH QUALITY

NeoLED™
euromex optical technology

APL™



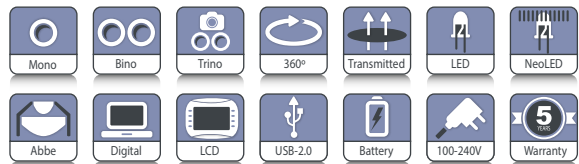
MicroBlue

The modern MicroBlue is an entry-level microscope, especially appreciated when budgets are limited. The basic model comes with a fixed lens condenser and a plain stage

All models with an integrated mechanical stage are supplied with an Abbe condenser. All models are equipped with 35 mm achromatic objectives.

The built-in rechargeable batteries enable cordless operation

● Monocular model MB.1051



MONOCULAR MODEL MB.1001 298 (h) x 151 (w) x 202 mm (d) 2.0 kg
MONOCULAR, MECHANICAL STAGE MB.1151 298 (h) x 151 (w) x 202 mm (d) 2.2 kg
BINOCULAR MODEL, MECHANICAL STAGE MB.1152 298 (h) x 151 (w) x 202 mm (d) 2.8 kg



● Binocular model MB.1152

HIGHLIGHTS

- Entry-level microscopes
- Monocular and binocular models
- Revolving reversed nosepiece
- Integrated X-Y mechanical stage
- LED and NeoLED™ illumination
- Cordless operation
- Ergonomic carrying grip
- 5 Years warranty

SPECIFICATIONS

EYEPIECE(S)

Wide field WF 10x/18 mm secured eyepiece with pointer. The eyepieces of the binocular models are supplied without pointer

HEAD

Monocular models have a 45° inclined tube. Binocular and trinocular models have 45° inclined tubes, adjustable interpupillary distance between 48 and 75 mm and a ± 5 diopter adjustment on left tube. All heads are 360° rotatable. Models with an integrated USB-2.0 camera are supplied with a 5.0 MP 1/2.8" CMOS sensor with 2560 x 1920 pixels resolution. The trinocular head has a fixed light path beam splitter (50:50) and generates an erect image. The MicroBlue can also be equipped with an LCD screen

NOSEPIECE

Revolving nosepiece for three or four reversed objectives on ball bearings

OBJECTIVES

Achromatic 4x/0.10, 10x/0.25 and S40x/0.65. Models with S60x or S100x oil immersion are also available

The S40x, S60x and S100x oil immersion objectives are spring loaded. All optics are anti-fungus treated and anti-reflection coated for maximum light throughput

FOCUSING

Coaxial coarse and fine adjustments, 200 graduations, 15 µm per graduation, 3 mm per rotation, total travel range is approximately 15 mm. Supplied with an adjustable rack stop to prevent damage to sample and objectives. The coarse adjustments are equipped with friction control

STAGE

All models are supplied with a 115 x 100 mm stage with integrated 55 x 20 mm X-Y mechanical stage, except for the basic model MB.1001(-LCD), which is supplied with a 105 x 105 mm stage and two non-removable clamps

CONDENSER

Height adjustable Abbe condenser N.A. 1.25 with iris diaphragm and filter holder, except for the MB.1001(-LCD) model, which is equipped with a single N.A. 0.65 condenser with built-in iris diaphragm

ILLUMINATION

All monocular versions are supplied with an adjustable 1 W LED illumination system. The binocular versions are supplied with a replaceable 1 W NeoLED™ illumination system for increased light output. All models have internal rechargeable batteries with an external 100-240 V battery charger/ mains adapter

CAMERA AND SOFTWARE*

Models with an integrated 5.0 MP CMOS USB-2.0 camera are supplied with the ImageFocus Plus software. Besides capturing of images and videos this software allows measurements on still and live images and annotations on captured images. Compatible with Windows 7, 8 and 10, both 32 and 64 bits configurations

LCD SCREEN*

All the MicroBlue LCD microscopes are equipped with a 7" LCD screen. Images can be saved directly to a micro SD card in JPEG format. Screen resolution 1920 x 1080 @ 30 fp, image resolution upto 1844 x 1080 pixels. Videos can be shot in AVI format, resolution 1280 x 720. Basic measurement function (line) with calibration

PACKAGE CONTENT

Supplied with mains adapter-charger, dust cover, user manual and 5 ml immersion oil for models with an S100x objective. Supplied with a white filter. All packed in a polystyrene box



Check out the product video on YouTube and learn more about the BlueLine. YouTube channel: **Euromex Optics Group B.V.**

MODELS	Mono	Bino	Trino	Digital mono*	Digital LCD*	Maximum objectives	4/10/S40x objectives	S60x objective	S100x objective	Mechanical X-Y stage	LED	NeoLED™	Batteries
MB.1001	•					3	•				•		•
MB.1051	•					4	•			•	•		•
MB.1651	•					4	•	•		•	•		•
MB.1151	•					4	•		•	•	•		•
MB.1052		•				4	•			•		•	•
MB.1652		•				4	•	•		•		•	•
MB.1152		•				4	•		•	•		•	•
MB.1053			•			4	•			•		•	•
MB.1653			•			4	•	•		•		•	•
MB.1153			•			4	•		•	•		•	•
MB.1001-LCD					•	3	•				•		•
MB.1051-LCD					•	4	•			•	•		•
MB.1055				•		4	•			•		•	•
MB.1655				•		4	•	•		•		•	•
MB.1155				•		4	•		•	•		•	•

* See chapter 3 for more information



● Monocular head



● Binocular head



● Trinocular head



● Digital monocular head



● Digital LCD head



● MB.1153

ACCESSORIES AND SPARE PARTS

EYEPIECES

- AE.5571** Wide field eyepiece WF 5x/18 mm
- MB.6010** Wide field WF 10x/18 mm eyepiece with pointer
- MB.6010-P** Wide field 10x/18 mm eyepiece with pointer
- MB.6010-M** Wide field 10x/18 mm eyepiece with micrometer scale
- MB.6015** Wide field WF 15x/11 mm eyepiece
- MB.6020** Wide field WF 20x/9 mm eyepiece
- MB.6099** Pair of eyecups

OBJECTIVES

- MB.7004** Achromatic 4x/0.10 objective, 35 mm parfocal
- MB.7010** Achromatic 10x/0.25 objective, 35 mm parfocal
- MB.7020** Achromatic 20x/0.40 objective, 35 mm parfocal
- MB.7040** Achromatic S40x/0.65 objective, 35 mm parfocal
- MB.7060** Achromatic S60x/0.85 objective, 35 mm parfocal
- MB.7000** Achromatic S100x/1.25 objective, 35 mm parfocal

CAMERA ACCESSORIES

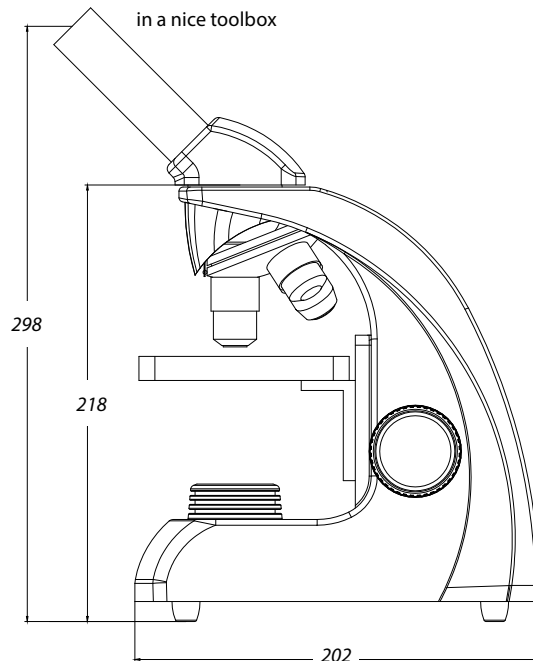
- AE.5130** Universal SLR adapter with built-in 2x lens for standard 23.2 mm tube. Needs T2 adapter
- AE.5025** T2 adapter for Nikon D SLR digital camera
- AE.5040** T2 adapter for Canon EOS SLR digital camera

MISCELLANEOUS

- MB.9710** Frosted filter
- MB.9975** External mains adapter-charger 100-240 Vac/5 Vdc (50/60 Hz)
- MB.9981** 1 W LED replacement unit
- MB.9991** 1 W NeoLED™ replacement unit
- AE.5202** Blue filter, diameter 32 mm
- AE.5203** Yellow filter, diameter 32 mm
- AE.5204** Neutral gray filter, diameter 32 mm
- AE.5205** Green filter, diameter 32 mm
- AE.5207** Blue filter plexiglass, diameter 32 mm
- MB.9900** Aluminum transport case
- AE.9918** Nylon microscope bag (25 x 39 x 19 cm)

DISPOSABLES

- PB.5155** Microscope slides 76 x 26 mm, ground edges, 50 pieces per pack
- PB.5157-W** Microscope slides 76 x 26 mm, ground edges. White frosted side, 50 pieces per pack
- PB.5157-B** Microscope slides 76 x 26 mm, ground edges. Blue frosted side, 50 pieces per pack
- PB.5165** Cover glasses 18 x 18 mm, thickness 0.13-0.17 mm, 100 pieces
- PB.5168** Cover glasses 22 x 22 mm, thickness 0.13-0.17 mm, 100 pieces
- PB.5245** Lens cleaning paper, 100 sheets per pack
- PB.5255** Immersion oil, n = 1.482 (25 ml)
- PB.5274** Isopropyl alcohol 99% (200 ml)
- PB.5275** Cleaning kit: lens cleaning fluid, lint free lens tissue, brush, air blower, cotton swabs
- PB.5276** Microscope maintenance and servicing kit, 16 pcs: cleaning brush, 6 pcs screwdriver set, air blower, 3 pcs Allen key, 1.5, 2, 2.5 mm, lens cleaning fluid 20 ml, cleaning cloth 140 x 140 mm, 100 pcs lens tissue sheets, tube of maintenance grease, 10 ml bottle of oil, packed in a nice toolbox

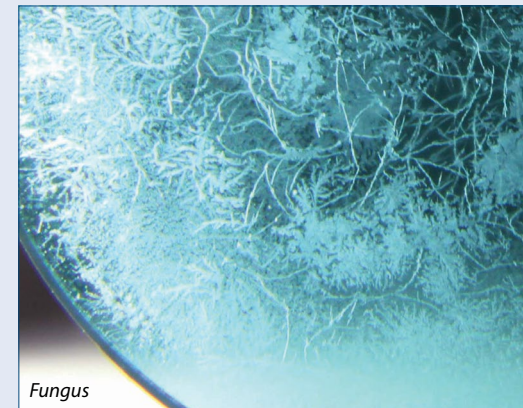


TECHNICAL FACTS

about objectives

Most common microscope objectives come in different types:

- Achromatic objectives** Usually contain one or a pair of lenses and correct for color and have a good flat field. If there are aberrations they occur in the outer area of the image
- Semi plan objectives** Contain one or more (achromatic) lens elements and have an extended flat field. Semi plan objectives have an improved resolution
- Plan objectives** Correct even better for color and spherical aberration than semi plan objectives. Plan objectives have an excellent flat field and produce superb image quality
- Apochromatic objectives** Designed for color and spherical aberration correction on a minimum of three wavelengths. These objectives offer the best flat field correction



ANTI-FUNGUS TREATED

Fungus spores are parasitic, travel in the air and can settle inside lenses. High temperatures, humidity and environments that are dark and unventilated encourage fungus growth

The optical components are anti-fungus treated. Nevertheless it is best to minimize the possibility of fungus by storing the microscopes in well-ventilated rooms with moderate temperatures and low humidity

BIOLOGICAL MICROSCOPES



EcoBlue

The modern microscopes of the EcoBlue series are especially developed for educational purposes with primary focus on ergonomics and excellent price/quality ratio. These microscopes are supplied with secured eyepieces and adjustable rack stop to prevent damage to sample and objectives



● EC.1001

MONOCULAR MODEL EC.1001

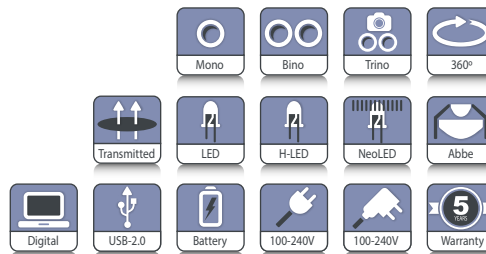
355 (h) x 170 (w) x 220 (d) | 2.48 kg

BINOCULAR MODEL EC.1152

360 (h) x 170 (w) x 214 (d) | 2.95 kg

POLARIZATION MODEL EC.1001-P-HLED

360 (h) x 170 (w) x 214 (h) | 3.35 kg



HIGHLIGHTS

- Monocular, binocular and trinocular models with WF 10x/18 mm eyepiece(s)
- Models with integrated 5 MP CMOS camera
- Models for polarization applications
- Revolving nosepiece with four achromatic objectives
- Models with integrated mechanical stage available
- Coaxial coarse and fine adjustments with rack stop
- Height adjustable Abbe condenser with iris diaphragm and filter holder
- 1 W LED illumination with integrated power supply
- 1 W NeoLED™ illumination with rechargeable batteries and external 100-240 Vac mains/charger adapter
- Ergonomic stand
- Warranty 5 years

SPECIFICATIONS

EYEPIECE(S)

Wide field WF 10x/18 mm eyepiece with pointer. The eyepieces of the binocular and trinocular models are supplied without pointer

HEAD

Monocular models with 45° inclined tubes. Binocular and trinocular models have 30° inclined tubes. The interpupillary distance is adjustable between 48 and 75 mm. All binocular and trinocular models have a ± 5 diopter adjustment on left tube. All heads are 360° rotatable. Models with an integrated USB-2.0 camera are supplied with a 5.0 MP 1/2.8" CMOS sensor with a resolution of 2560 x 1920 pixels. The trinocular head has a fixed light path beam splitter (50:50) and generates an erect image. The EcoBlue can also be supplied with a discussion head

NOSEPIECE

Revolving nosepiece for four objectives on ball bearings. Models for polarization are supplied with swing-out analyzer



● EC.1101-P-HLED

OBJECTIVES

Achromatic 4x/0.10, 10x/0.25 and S40x/0.65 objectives. Models EC.1151, EC.1152 and EC.1153 also have an S100x oil immersion objective. The S40x, S60x and S100x oil immersion objectives are spring loaded.

All optics are anti-fungus treated and anti-reflection coated for maximum light throughput

FOCUSING

Coaxial coarse and fine adjustments, 200 graduations, 12.5 µm per graduation, 2.5 mm per rotation, total travel range is approximately 15 mm. Supplied with an adjustable rack stop to prevent damage to sample and objectives

STAGE

Plain 123 x 119 mm stage with two non-removable object clamps (optional EC.9500 attachable 51 x 26 mm X-Y mechanical stage available). Plain 123 x 128 mm stage with integrated 70 x 27 mm X-Y mechanical stage. The models for polarization are supplied with 129 mm circular stage, 360° rotatable, two object clamps and swing-out analyzer mounted on the lamp house

CONDENSER

Height adjustable Abbe condenser N.A. 1.25 with iris diaphragm and filter holder. The models for polarization have a rack & pinion adjustment, all other models carry a helicoidal adjustment

ILLUMINATION

Monocular models are supplied with a 1 W LED illumination with integrated power supply. Binocular and trinocular models are supplied with an adjustable 1 W NeoLED™ illumination system for increased light output. Models EC.1x51, EC.1x52 and EC.1x53 (x=0, 6 or 1) are supplied with rechargeable batteries and an external 100-240 V battery charger/mains adapter

The models for polarization are supplied with H-LED illumination for correct color rendering (very similar to the halogen light spectrum) and an integrated 100-240 V power supply. However 20 W halogen illumination is also available on special request

CAMERA AND SOFTWARE

Models with integrated 5 MP CMOS USB-2.0 camera are supplied with the ImageFocus Plus capture and measurement software. Besides capturing of images and videos, this software allows measurements on still and live images and annotations on captured images. Compatible with Windows 7, 8 and 10, both 32 and 64 bits configurations

PACKAGE CONTENT

Supplied with power cord or mains adapter-charger, dust cover, spare fuse, user manual and 5 ml immersion oil for models with an S100x objective. Models for polarization with halogen illumination are supplied with blue filter, models with LED illumination are supplied with a white filter. All packed in a polystyrene box



Check out the product video on YouTube and learn more about the BlueLine. YouTube channel: **Euromex Optics Group B.V.**

MODELS	Mono	Bino	Trino	Digital ⁽¹⁾	S60x objective	S100x objective	Mechanical X-Y stage ⁽²⁾	LED	NeoLED™	Batteries ⁽³⁾	Polarization ⁽⁴⁾
EC.1001	•							•			
EC.1101	•					•		•			
EC.1601	•				•			•			
EC.1051	•						•	•		•	
EC.1151	•						•	•		•	
EC.1651	•				•		•	•		•	
EC.1052		•					•	•		•	
EC.1152		•					•	•		•	
EC.1652		•			•		•	•		•	
EC.1053			•				•	•		•	
EC.1153			•				•	•		•	
EC.1653			•		•		•	•		•	
EC.1005	•			•				•			
EC.1105	•			•				•			
EC.1605	•			•				•			
EC.1001-P-HLED	•							• ⁽⁴⁾			•
EC.1601-P-HLED	•				•			• ⁽⁴⁾			•
EC.1002-P-HLED		•						• ⁽⁴⁾			•
EC.1602-P-HLED		•			•			• ⁽⁴⁾			•
EC.1003-P-HLED			•					• ⁽⁴⁾			•
EC.1603-P-HLED			•		•			• ⁽⁴⁾			•

⁽¹⁾ See chapter 3 for more information

⁽²⁾ Integrated mechanical stage with 70 x 27 mm X-Y travel range

⁽³⁾ With an external 100-240 V battery charger/mains adapter

⁽⁴⁾ Polarization models can also be supplied with S60x or S100x objectives; replace second digit of model number with resp. 6 or 1, e.g. EC.1602-P-HLED, EC.1103-P-HLED, etc

ACCESSORIES AND SPARE PARTS

EYEPIECES

- AE.5571** Wide field eyepiece WF 5x/18 mm
- EC.6010** WF 10x/18 mm eyepiece
- EC.6010-M** WF 10x/18 mm eyepiece with micrometer scale
- EC.6010-C** WF 10x/18 mm eyepiece with crosshairs
- EC.6015** WF 15x/12 mm eyepiece
- EC.6110** WF 10x/18 mm eyepiece with micrometer 10/100
- EC.6099** Pair of eyecups

OBJECTIVES

- EC.7004** Achromatic 4x/0.10 objective. WD 37.5 mm
- EC.7010** Achromatic 10x/0.25 objective. WD 6.8 mm
- EC.7020** Achromatic 20x/0.40 objective. WD 2.0 mm
- EC.7040** Achromatic S40x/0.65 objective. WD 0.6 mm
- EC.7060** Achromatic S60x/0.85 objective. WD 0.185 mm
- EC.7000** Achromatic S100x/1.25 oil immersion objective. WD 0.195 mm

MISCELLANEOUS

- EC.9500** Attachable mechanical X-Y stage, translation range 51 x 26 mm, with double Vernier and separate horizontal adjustments knobs
- EC.9710** Frosted white filter
- EC.9981** 1 W LED replacement unit
- EC.9991** 1 W NeoLED™ replacement unit
- EC.9994** 1 W H-LED replacement unit
- EC.9975** External mains/charger adapter 100-240 Vac/5 Vdc (50/60 Hz)
- AE.5511** Discussion head
- AE.5202** Blue filter, Ø 32 mm
- AE.5203** Yellow filter, Ø 32 mm
- AE.5204** Neutral gray filter, Ø 32 mm
- AE.5205** Green filter, Ø 32 mm
- AE.5207** Blue filter plexiglass, Ø 32 mm
- SL.1379** Spare halogen 20 W 12 V bulb for polarization models
- AE.9918** Nylon microscope bag (25 x 39 x 19 cm)

WF = Wide field

WD = Working distance

POLARIZATION ATTACHMENTS

- AE.5150** Simple polarization attachment. Analyzer Ø 18 mm mounted in eyepiece (rotatable), polarizer Ø 32 mm placed in filter holder
- AE.5152** Simple polarization attachment. Analyzer mounted over eyepiece (rotatable) and polarizer Ø 32 mm in filter holder
- AE.5153** Polarization attachment. Analyzer mounted over eyepiece and small (100 x 65 mm) 360° rotatable stage with built-in polarizer to place on plain stage
- AE.5154** Polarizer in mount, to be placed over eyepiece



• EC.1152

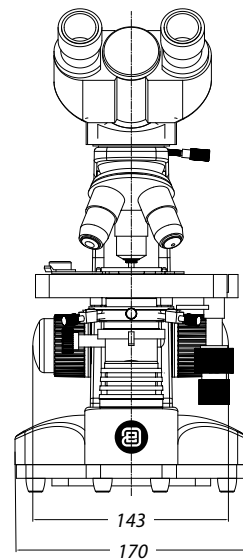
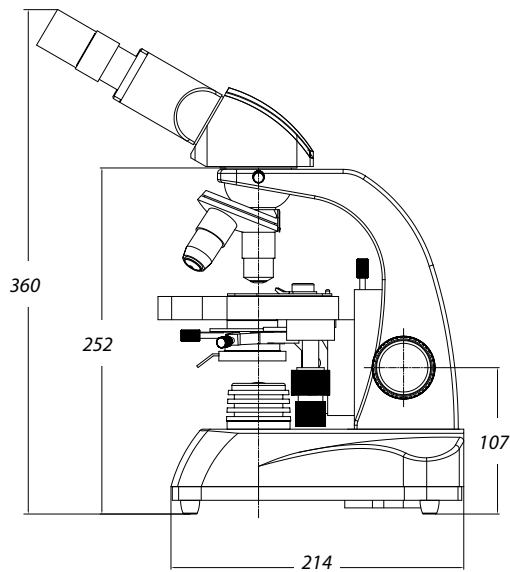
CAMERA ACCESSORIES

- AE.5130** Universal SLR camera adapter with 2x projection lens for 23.2 mm tubes. Needs T2 adapter
 - AE.5025** T2 adapter for Nikon D digital SLR cameras
 - AE.5040** T2 adapter for Canon EOS digital SLR cameras
- Other T2 adapters on request*

DISPOSABLES

- PB.5155** Microscope slides 76 x 26 mm, ground edges, 50 pieces per pack
- PB.5157-W** Microscope slides 76 x 26 mm, ground edges. White frosted side, 50 pieces per pack
- PB.5157-B** Microscope slides 76 x 26 mm, ground edges. Blue frosted side, 50 pieces per pack
- PB.5165** Cover glasses 18 x 18 mm, thickness 0.13-0.17 mm, 100 pieces

- PB.5168** Cover glasses 22 x 22 mm, thickness 0.13-0.17 mm, 100 pieces
- PB.5245** Lens cleaning paper, 100 sheets per pack
- PB.5255** Immersion oil, n = 1.482 (25 ml)
- PB.5274** Isopropyl alcohol 99% (200 ml)
- PB.5275** Cleaning kit: lens cleaning fluid, lint free lens tissue, brush, air blower, cotton swabs
- PB.5276** Microscope maintenance and servicing kit, 16 pcs: cleaning brush, 6 pcs screwdriver set, air blower, 3 pcs Allen key, 1.5, 2, 2.5 mm, lens cleaning fluid 20 ml, cleaning cloth 140 x 140 mm, 100 pcs lens tissue sheets, tube of maintenance grease, 10 ml bottle of oil, packed in a nice toolbox



about
microscope basics

A compound microscope consists of a group of lenses (called objective) which focuses a real image of the object inside the microscope. A second group of lenses (called eyepiece) magnifies this image and projects it on the retina of the eye. This compound optical system (objective - eyepiece) together with other mechanical components are the basics of a modern microscope

TECHNICAL FACTS

HEAD

The 30° inclined trinocular viewing head is equipped with a 23.2 mm photo port. The Siedentopf head corrects interpupillary distances to the users preference. A beam splitter inside the head divides the light between the eyepieces and the camera with diopter settings

DIGITAL MICROSCOPY

Modern microscopy uses CMOS, CCD or HD cameras for digital output to computer or HDMI displays. Users can use ImageFocus analysis software to capture, edit, analyze and share microscopy images

THE NOSEPIECE

A rotatable metal turret holding four microscope objectives for precise switching of magnifications. The revolver is mounted reversed for more workspace

TRINOCULAR TUBE

The trinocular tube connects cameras used for digital microscopy

STAGE

Move the specimen slide in the X or Y direction. Low positioned stage controls prevent fatigue

EYEPIECES

The WF 10x/18 mm are Wide Field eyepieces with 10x magnification and 18 mm field number

COARSE AND FINE FOCUSING SYSTEM

The full metal mechanical system moves the specimen in focus. With rack stop to prevent damage to prepared microscopy slides and objectives

OBJECTIVES

Microscope objectives are crucial for determining magnification and resolution of the image. International standards are used during production. Typical objective magnifications are 4x/10x/40x/100x

MICROSCOPE BASE AND ARM

A large base guarantees the necessary stability of the microscope. The arm includes an integrated carrying grip for easy and safe transportation

CONDENSER

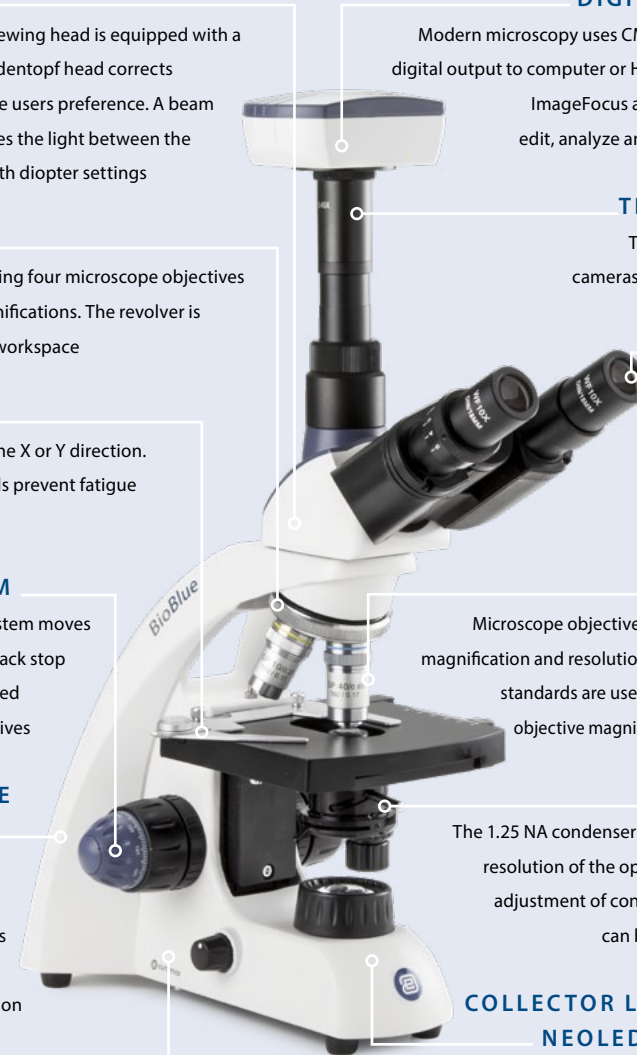
The 1.25 NA condenser's diaphragm maximizes the resolution of the optical system and also allows adjustment of contrast. Color or density filters can be placed in the filter holder

CORDED AND CORDLESS USE

The built-in rechargeable batteries enable the microscope to be used both corded and cordless

COLLECTOR LENS SYSTEM AND NEOLED™ LIGHT SOURCE

This lens system maximizes light output. The innovative NeoLED™ design increases the light output even more, while less energy is required. The total system enables higher resolutions, very close to the theoretical diffraction limit of the optics



BIOLOGICAL MICROSCOPES

BlueLine
DUTCH QUALITY

NeoLED™
euromex optical technology

FEATURED

APL™

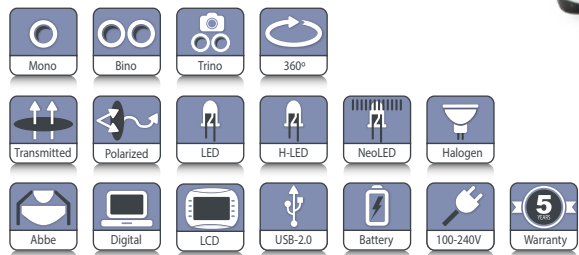


BioBlue

The modern microscopes of the BioBlue series are especially developed for educational purposes with primary focus on ergonomics and today's quality standards. These microscopes are supplied with secured eyepieces and adjustable rack stop to prevent damage to sample and objectives



● BB.4240



MONOCULAR MODEL BB.4200
320 (h) x 176 (w) x 227 mm (d) | 3.0 kg
BINOCULAR MODEL BB.4260
360 (h) x 176 (w) x 227 mm (d) | 4.0 kg
POLARIZATION MODEL BB.4200-P-HLED
360 (h) x 176 (w) x 227 mm (d) | 4.4 kg



● BB.4260

HIGHLIGHTS

- WF 10x/18 mm eyepiece(s)
- BB EVO models with WF 10x/20 mm eyepieces and Köhler NeoLED™ illumination
- Models with integrated 5.0 MP CMOS camera or with a 7" LCD screen
- Models for polarization applications
- Reversed nosepiece for four semi plan objectives
- Integrated X-Y mechanical stage
- Coaxial coarse and fine adjustments with rack stop
- Height adjustable Abbe condenser with iris diaphragm and filter holder
- Monocular models with 1 W LED illumination
- Binocular and trinocular models supplied with 1 W NeoLED™ illumination for increased light output
- LED models with rechargeable batteries and integrated power supply
- Ergonomic stand
- Warranty 10 years

SPECIFICATIONS

EYEPIECE(S)

Wide field WF 10x/18 mm secured eyepiece with pointer for monocular models. The eyepieces of the binocular and trinocular models are supplied without pointer. The BioBlue EVO models are supplied with WF 10x/20 mm eyepieces

HEAD

Monocular models with 45° inclined tubes. Binocular and trinocular models have 30° inclined tubes, interpupillary distance is adjustable between 48 and 75 mm and equipped with a ± 5 diopter adjustment on the left tube. All heads are 360° rotatable and secured with a screw. The BioBlue microscope can also be supplied with a discussion head. The trinocular head has a fixed light path beam splitter (50:50) and generates an erect image. Models with an integrated USB-2.0 camera are supplied with a 5.0 MP 1/2.8" CMOS sensor with a resolution of 2560 x 1920 pixel

NOSEPIECE

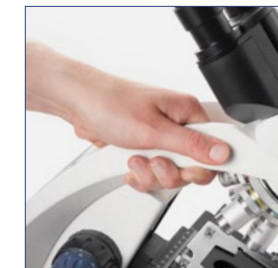
Reversed quadruple nosepiece on ball bearings. Models for polarization are supplied with a swing-out analyzer

OBJECTIVES

All models are supplied with semi plan 4x/0.10, 10x/0.25 and S40x/0.65 objectives. Models with an S60x/0.85 or S100x/1.25 oil immersion objective are also available. The S40x, S60x and S100x oil immersion objectives are spring loaded. All optics are anti-fungus treated and anti-reflection coated for maximum light throughput

FOCUSING

Coaxial coarse and fine adjustments with 200 graduations. Precision 2 µm per graduation, 0.4 mm per rotation

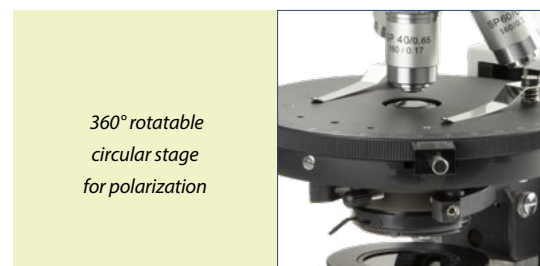


The ergonomic carrying grip enables easy transportation

Total travel range is approximately 23 mm. Supplied with an adjustable rack stop to prevent damage to sample and objectives. The coarse adjustments are equipped with friction control

STAGE

130 x 130 mm with mechanical 70 x 28 mm X-Y translation stage except for models BB.4200 and BB.4205. These models have a 120 x 120 mm plain stage supplied with two non-removable object clamps. The models for polarization are supplied with 129 mm circular stage, 360° rotatable and two object clamps



360° rotatable circular stage for polarization

POLARIZATION EQUIPMENT

The swing-out analyzer is mounted in a slider under the head. The rotatable 360° polarizer fits on the collector lamp

CONDENSER

Height adjustable Abbe condenser N.A. 1.25 with iris diaphragm and filter holder

ILLUMINATION

Binocular and trinocular models are supplied with an adjustable 1 W NeoLED™ illumination system for increased light output. Monocular models have a standard adjustable 1 W LED illumination. The models for polarization are supplied with H-LED illumination for correct color rendering (very similar to the halogen light spectrum) and an integrated 100-240 V power supply. However 20 W halogen illumination is also available for polarization models on special request. The EVO models are equipped with Köhler NeoLED™ illumination. All BioBlue microscopes – except halogen models – are supplied with rechargeable batteries and integrated power supply for cordless operation

CAMERA AND SOFTWARE

Models with an integrated 5 MP CMOS USB-2.0 camera are supplied with the ImageFocus Plus software. Besides capturing images and videos, this software also allows measurements on still and live images and annotations on captured images. Compatible with Windows 7, 8 and 10, both 32 and 64 bits configurations

PACKAGE CONTENT

Supplied with power cord, dust cover, a spare fuse, user manual and 5 ml immersion oil for models with S100x objective. Models for polarization with halogen illumination are supplied with a blue filter, models with LED illumination are supplied with a white filter. All models are supplied with a crosshairs eyepiece for centering. All packed in a polystyrene box



● Monocular head



● Binocular head



● Trinocular head



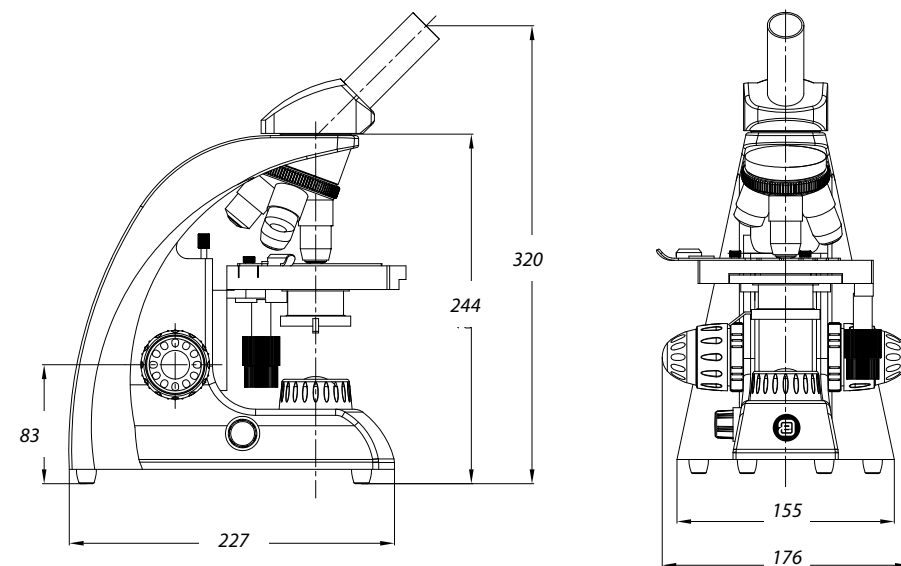
● Discussion head



● Digital heads



● LCD head



Check out the product video on YouTube and learn more about the BlueLine. YouTube channel: **Euromex Optics Group B.V.**

MODELS	Mono	Bino	Trino	Digital	4/10/40x SMP objectives	S60x SMP objective	S100x SMP objective	Mechanical X-Y stage	LED	Neo-LED™	Köhler illumination ⁽¹⁾	Polarization ⁽²⁾
BB.4200	•				•				•			
BB.4220	•				•			•	•			
BB.4240	•				•	•		•	•			
BB.4250	•				•		•	•	•			
BB.4260		•			•			•	•		•	
BB.4260-E		•			•			•	•		•	
BB.4263		•			•	•		•	•		•	
BB.4243			•		•	•		•	•		•	
BB.4253			•		•	•		•	•		•	
BB.4253-E			•		•	•		•	•		•	
BB.4205	•			•	•				•			
BB.4225	•			•	•			•	•			
BB.4245	•			•	•	•		•	•			
BB.4255	•			•	•		•	•	•			
BB.4267		•		•	•	•		•	•		•	
BB.4269		•		•	•	•		•	•		•	
BB.4200-LCD				• ⁽³⁾	•				•			
BB.4220-LCD				• ⁽³⁾	•			•	•			
BB.4220-P-HLED	•				•				•			•
BB.4240-P-HLED	•				•	•			•			•
BB.4261-P-HLED		•			•	•			•			•
BB.4263-P-HLED		•			•	•			•			•
BB.4260-P-HLED		•			•		•		•			•
BB.4241-P-HLED			•		•				•			•
BB.4243-P-HLED			•		•	•			•			•
BB.4253-P-HLED			•		•	•			•			•

⁽¹⁾ EVO models are supplied with WF 10x/20 mm eyepieces and Köhler NeoLED(tm) illumination

⁽²⁾ Polarization models are supplied with H-LED illumination - very similar light spectrum to the halogen illumination - and an eyepiece with crosshairs for centering. 20 W halogen illumination is also available for polarization models on special request

⁽³⁾ Models with a 7" LCD screen

ACCESSORIES AND SPARE PARTS

EYEPIECES

- AE.5571** Wide field eyepiece WF 5x/18 mm
- AE.5572** Wide field eyepiece WF 10x/18 mm
- AE.5572-E** Wide field eyepiece WF 10x/20 mm
- AE.5573** Wide field eyepiece WF 15x/12 mm
- AE.5573-E** Wide field eyepiece WF 15x/12 mm for BB EVO
- AE.5574** Wide field micrometer eyepiece 10 mm/100
- AE.5581** Wide field eyepiece WF 10x/18 mm with pointer
- AE.5581-E** Wide field eyepiece WF 10x/20 mm with pointer for BB EVO
- AE.5582** Wide field eyepiece WF 20x/11.5 mm
- AE.5582-E** Wide field eyepiece WF 20x/12.5 mm for BB EVO
- AE.5365** Eyecup for eyepiece
- AE.5365-E** Pair of eyecups for eyepieces
- AE.1110** Stage micrometer 1 mm/ 100 parts

OBJECTIVES

- AE.5591** Semi plan objective 4x/0.10. WD 37.5 mm
- AE.5593** Semi plan objective 10x/0.25. WD 6.54 mm
- AE.5594** Semi plan objective 20x/0.40. WD 1.2 mm
- AE.5597** Semi plan objective S40x/0.65. WD 0.68 mm
- AE.5599** Semi plan objective S60x/0.75. WD 0.2 mm
- AE.5601** Semi plan objective S100x/1.25 oil immersion. WD 0.22 mm

MISCELLANEOUS

- AE.5511** Discussion head
- AE.5202** Blue filter, Ø 32 mm
- AE.5203** Yellow filter, Ø 32 mm

● BioBlue microscope with polarization kit



- AE.5204** Neutral gray filter, Ø 32 mm
- AE.5205** Green filter, Ø 32 mm
- AE.5207** Blue filter plexiglass, Ø 32 mm
- BB.4300** Aluminum case
- AE.9918** Nylon microscope bag (25 x 39 x 19 cm)
- BB.9602** Analyzer in slider
- AE.9981** 1 W LED replacement unit
- AE.9991** 1 W NeoLED™ replacement unit
- SL.1379** Spare halogen 20 W 12 V bulb for BioBlue polarization models
- AE.5227** Glass fuses 1 A 250 V, 10 pieces

CAMERA ACCESSORIES

- AE.5130** Universal SLR camera adapter with 2x projection lens for 23.2 mm tubes. Needs T2 adapter
 - AE.5025** T2 adapter for Nikon D digital SLR cameras
 - AE.5040** T2 adapter for Canon EOS digital SLR cameras
- Other T2 adapters on request*

DISPOSABLES

- PB.5155** Microscope slides 76 x 26 mm, ground edges, 50 pieces
- PB.5165** Cover glasses 18 x 18 mm, thickness 0.13-0.17 mm, 100 pieces
- PB.5168** Cover glasses 22 x 22 mm, thickness 0.13-0.17 mm, 100 pieces
- PB.5245** Lens cleaning paper, 100 sheets per pack
- PB.5255** Immersion oil, n = 1.482 (25 ml)
- PB.5274** Isopropyl alcohol 99% (200 ml)
- PB.5275** Cleaning kit: lens cleaning fluid, lint free lens tissue, brush, air blower, cotton swabs
- PB.5276** Microscope maintenance and servicing kit, 16 pcs: cleaning brush, 6 pcs screwdriver set, air blower, 3 pcs Allen key, 1.5, 2, 2.5 mm, lens cleaning fluid 20 ml, cleaning cloth 140 x 140 mm, 100 pcs lens tissue sheets, tube of maintenance grease, 10 ml bottle of oil, packed in a nice toolbox

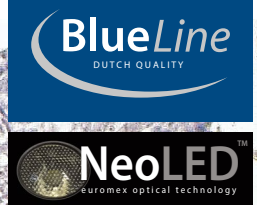
POLARIZATION ATTACHMENTS

Not suitable for the BioBlue EVO models

- AE.5150** Simple polarization attachment. Polarizer Ø 18 mm mounted in eyepiece, analyzer 32 mm diameter placed in filter holder
- AE.5151** Simple polarization attachment. Polarizer mounted over eyepiece and analyzer 32 mm diameter in filter holder
- AE.5152** Polarization attachment. Analyzer mounted over eyepiece and small (75 x 50 mm) 360° rotatable stage with built-in polarizer to be mounted on X-Y stage
- AE.5153** Polarization attachment. Analyzer mounted over eyepiece and small (100 x 65 mm) 360° rotatable stage with built-in polarizer to be mounted on plain stage
- AE.5154** Polarizer in mount, to place over eyepiece
- AE.5155** Polarization kit with analyzer in slider and small rotatable (75 x 50 mm) stage with two clamps to be mounted on X-Y stage. Polarization filter to be mounted on lamphouse
- AE.5155-P** Polarization kit with analyzer in slider and small rotatable (100 x 65 mm) stage with two clamps to be mounted on plain stage. Polarization filter to be mounted on lamphouse
- AE.5156** Simple polarization kit with analyzer in slider and polarization filter to be mounted on lamphouse
- AE.5158** Polarization kit with analyzer in slider and small rotatable (75 x 50 mm) stage with two clamps to be mounted on X-Y stage. Rotatable 360° polarization filter to be mounted on lamphouse
- AE.5158-P** Polarization kit with analyzer in slider and small rotatable (100 x 65 mm) stage with two clamps to be mounted on plain stage. 360° Rotatable polarization filter to be mounted on lamphouse



BIOLOGICAL MICROSCOPES



BioBlue.Lab

The BlueLine flagship BioBlue.Lab is an instrument that precisely matches the highest expectations of microscopy users. All models are equipped with a NeoLED™ illumination system and are available in binocular and trinocular versions

● BB.1153-PLi

BB.1152-PLi
377 (h) x 205 (w) x 260 mm (d) | 5.4 kg
BB.1153-PLi
448 (h) x 205 (w) x 260 mm (d) | 5.6 kg



HIGHLIGHTS

- WF 10x/20 mm eyepieces
- Binocular and trinocular models
- Reversed quadruple nosepiece
- Plan objectives
- Infinity and non-infinity optical system
- Integrated rackless mechanical stage
- 3 W NeoLED™ illumination
- Ergonomic carrying grip
- 10 Years warranty



● BioBlue

● BioBlue.Lab

These ergonomic easy-to-use microscopes have been designed specifically for laboratory and university applications. The 150 x 140 mm mechanical stage has an integrated rackless X-Y stage with 75 x 30 mm travel range

An important feature of the BioBlue.Lab is the rackless stage, which provides a smooth translation of the specimen and highly precise positioning. This plays an integral part in most demanding cytology and histopathology applications

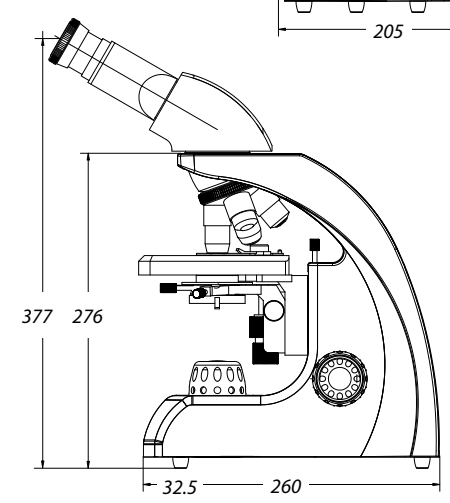
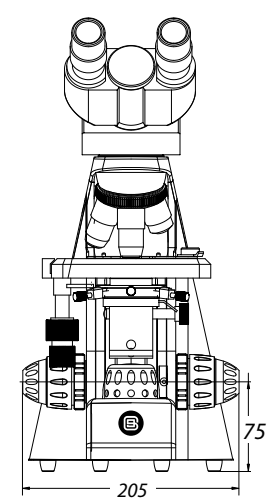
The BioBlue.Lab microscope models offer great functionality and are equipped with WF 10x/20 mm eyepieces, plan and IOS plan 4x/ 10x/ S40x/ S100x infinity corrected objectives

BioBlue.Lab microscopes can also be supplied with IOS plan phase contrast objectives 10x / 20x / S40x / S100x, which are infinity corrected

This enhancement is suitable for a wide variety of routine applications in laboratories and field microscopy



Check out the product video on YouTube and learn more about the BlueLine. YouTube channel: **Euromex Optics Group B.V.**



SPECIFICATIONS

EYEPIECES

Wide field WF 10x/20 mm eyepieces

HEAD

Binocular and trinocular models have 30° inclined Ø 30 mm tubes. The interpupillary distance is adjustable between 48 to 75 mm. All models have a ±5 diopter adjustment on left tube. All heads are 360° rotatable and secured with a screw. The trinocular head has a fixed light path beam splitter (50:50) and generates an erect image

NOSEPIECE

Reversed quadruple nosepiece on ball bearings.
Slot for analyzer (BB.9602)

OBJECTIVES

BioBlue.Lab microscopes are equipped with plan, plan IOS and plan phase IOS objectives. Optional 20x/0.40 and S60x/0.85 objectives are also available. The S40x, S60x and S100x objectives are spring loaded.
All optics are anti-fungus treated and anti-reflection coated for maximum light throughput

FOCUSING

Coaxial coarse and fine adjustments with 200 graduations. Precision 1.5 µm per graduation, 0.3 mm per rotation. Total travel range is approximately 28 mm. Supplied with an adjustable rack stop to prevent damage to sample and objectives. The coarse adjustments are equipped with friction control

STAGE

Rackless 150 x 140 mm stage with mechanical 75 x 30 mm X-Y translation stage

CONDENSER

- Height adjustable Abbe condenser N.A. 1.25 with iris diaphragm and filter holder. Supplied with a white filter.
- Height adjustable Zernike N.A. 1.25 phase contrast condenser with filter holder. Additionally the condenser includes a BF position for brightfield microscopy. Supplied with a green filter

ILLUMINATION

Binocular and trinocular models are supplied with an adjustable 3 W NeoLED™ illumination system for increased light output. Power supply with integrated 100-240 Vac

PACKAGE CONTENT

Supplied with power cord, dust cover, a spare fuse, user manual, 5 ml immersion oil and white filter.
All packed in a polystyrene box

MODELS	Binocular	Trinocular	4x/10x/S40x/S100x plan objectives	4x/10x/S40x/S100x plan IOS objectives	10x/20x/S40x/S100x plan phase IOS objectives	Rackless mechanical stage	NeoLED™
BB.1152-PL	•		•			•	•
BB.1153-PL		•	•			•	•
BB.1152-PLi	•			•		•	•
BB.1153-PLi		•		•		•	•
BB.1152-PLPHi	•				•	•	•
BB.1153-PLPHi		•			•	•	•

ACCESSORIES AND SPARE PARTS

EYEPIECES

- BB.6010** WF 10x/20 mm eyepiece, 30 mm tube
- BB.6110** WF 10x/20 mm eyepiece, 30 mm tube with micrometer reticle
- BB.6015** WF 15x/15 mm eyepiece, 30 mm tube
- BB.6020** WF 20x/11 mm eyepiece, 30 mm tube
- BB.6099** Pair of eyecups

OBJECTIVES

- BB.8804** Plan 4x/0.10 objective. WD 17.92 mm
- BB.8810** Plan 10x/0.25 objective. WD 2.04 mm
- BB.8820** Plan 20x/0.40 objective. WD 1.20 mm
- BB.8840** Plan S40x/0.65 objective. WD 0.65 mm
- BB.8860** Plan S60x/0.80 objective. WD 0.19 mm
- BB.8800** Plan S100x/1.25 oil immersion objective. WD 0.18 mm
- BB.7204** Plan 4x/0.10 IOS objective. WD 7.18 mm
- BB.7210** Plan 10x/0.25 IOS objective. WD 4.80 mm
- BB.7220** Plan 20x/0.40 IOS objective., WD 5.27 mm
- BB.7240** Plan S40x/0.65 IOS objective. WD 0.68 mm
- BB.7260** Plan S60x/0.85 IOS objective. WD 0.50 mm
- BB.7200** Plan S100x/1.25 oil immersion IOS objective. WD 0.20 mm
- BB.7710** Plan Phase 10x/0.25 IOS objective. WD 4.70 mm
- BB.7720** Plan Phase 20x/0.40 IOS objective., WD 1.75 mm
- BB.7740** Plan Phase S40x/0.65 IOS objective. WD 0.72 mm
- BB.7700** Plan Phase S100x/1.25 oil immersion IOS objective. WD 0.5 mm

MISCELLANEOUS

- BB.9602** Analyzer in slider, Ø 25 mm. Fits in nosepiece
- BB.9732** Polarization filter, Ø 32 mm. Fits in filter holder
- BB.9880** Köhler attachment
- BB.9900** Aluminum case
- BB.9993** 3 W NeoLED™ replacement unit
- AE.5227** Glass fuses 1 A 250 V, 10 pieces

CAMERA ACCESSORIES

- AE.5130** Universal SLR camera adapter with 2x projection lens for 23.2 mm tubes. Needs T2 adapter
- AE.5040** T2 adapter for Canon EOS SLR digital camera
- AE.5025** T2 adapter for Nikon D SLR digital camera

DISPOSABLES

- PB.5155** Microscope slides 76 x 26 mm, ground edges, 50 pieces per pack
- PB.5157-W** Microscope slides 76 x 26 mm, ground edges. White frosted side, 50 pieces per pack
- PB.5157-B** Microscope slides 76 x 26 mm, ground edges. Blue frosted side, 50 pieces per pack
- PB.5165** Cover glasses 18 x 18 mm, thickness 0.13-0.17 mm, 100 pieces
- PB.5168** Cover glasses 22 x 22 mm, thickness 0.13-0.17 mm, 100 pieces
- PB.5245** Lens cleaning paper, 100 sheets per pack
- PB.5255** Immersion oil, n = 1.482 (25 ml)
- PB.5274** Isopropyl alcohol 99% (200 ml)
- PB.5275** Cleaning kit: lens cleaning fluid, lint free lens tissue, brush, air blower, cotton swabs
- PB.5276** Microscope maintenance and servicing kit, 16 pcs: cleaning brush, 6 pcs screwdriver set, air blower, 3 pcs Allen key, 1.5, 2, 2.5 mm, lens cleaning fluid 20 ml, cleaning cloth 140 x 140 mm, 100 pcs lens tissue sheets, tube of maintenance grease, 10 ml bottle of oil, packed in a nice toolbox

For phase contrast attachments and accessories see chapter 4

BIOLOGICAL MICROSCOPES

bscope®

FEATURED

NeoLED™
euromex optical technology

Medical Device

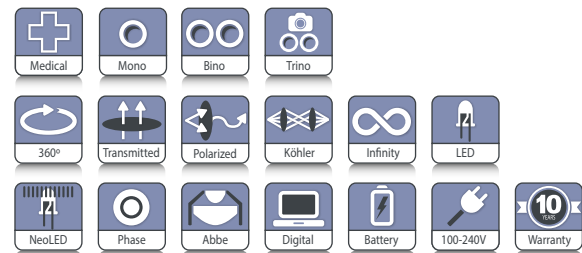
bScope®

The well-equipped, versatile and evolutive microscopes of the bScope® series are intensively used in secondary schools, universities, small to mid-sized laboratories and for veterinary applications

Besides an excellent ergonomic design, these robust and attractively priced microscopes are available in several configurations for brightfield and phase contrast observation with HWF 10x/20 mm eyepieces



● BS.1153-EPLi



MONOCULAR MODEL BS.1151-XXX
385 (h) x 195 (w) x 235 (d) | 6.3 kg
BINOCULAR MODEL BS.1152-XXX
409 (h) x 195 (w) x 235 (d) | 6.5 kg
TRINOCULAR MODEL BS.1153-XXX
459 (h) x 195 (w) x 235 (d) | 6.6 kg



● BS.1152-PLi

● BS.1151-EPL

SPECIFICATIONS

EYEPIECE(S)

High wide field HWF 10x/20 mm secured eyepiece(s) with 20 mm field of view (Ø 23.2 mm tube). Eyepiece of monocular models is supplied with pointer

HEAD

The bScope® is available with a monocular head (45° inclined Ø 23.2 mm tube) or with binocular or trinocular heads, equipped with a Siedentopf type head, 360° rotatable and equipped with 30° inclined Ø 23.2 mm tubes. Binocular and trinocular models have a diopter ± 5 adjustment on the left eyepiece. The interpupillary distance is adjustable between 48 to 76 mm. The models equipped with plan infinity corrected PLi objectives have a unique swiveling system of the eyepiece tubes for ergonomic positioning of the eyepieces in a high and in a low position. The trinocular head comes with a Ø 23.2 mm tube, ensuring a maximum of flexibility. The prisms inside the heads are designed to minimize the light absorption for perfect digital imaging.

A unique rotating system allows the ergonomic positioning of both tubes in a high (431 mm) and in a low position (377 mm). Only for IOS models Models with an integrated USB-2.0 camera are supplied with a 5.0 MP 1/2.5" CMOS sensor with a resolution of 2592 x 1944 pixels (see chapter 3)

HIGHLIGHTS

- Versatile and evolutive microscopes
- Monocular, binocular and trinocular models
- Digital models available
- HWF 10x/20 mm eyepieces
- Reversed ball-bearing quadruple or quintuple nosepiece
- E-plan, plan, E-plan IOS and plan IOS objectives
- E-plan phase, E-plan phase IOS, plan phase IOS objectives
- Integrated rackless X-Y mechanical stage
- 3 W NeoLED™ adjustable illumination system
- Integrated carrying grip
- Cable Storage System and anti-theft system
- 10 Years warranty

NOSEPIECE

Revolving and reversed ball-bearing quadruple or quintuple nosepiece

OBJECTIVES

The state-of-the-art production techniques and multi layer coatings used for the manufacturing of the bScope® objectives enable the bScope® to be used for the highly demanding applications. World class spherical aberration correction and modern CNC and assembly technology ensure the perfect centering of the objectives

Brightfield models: E-plan, plan, E-plan IOS infinity corrected, plan IOS infinity corrected 4x/0.10, 10x/0.25, 20x/0.40, S40x/0.65, S60x/0.85 and S100x/1.25 oil immersion objectives
Phase contrast models: E-plan phase, E-plan phase IOS infinity corrected, plan phase IOS infinity corrected 10x/0.25, 20x/0.40, S40x/0.65 and S100x/1.25 oil immersion objectives

All S40x, S60x and S100x oil immersion objectives are spring loaded. All optics are anti-fungus treated and anti-reflection coated for maximum light throughput

FOCUSING

Double coaxial, low-positioned coarse and fine adjustments with 180 graduations. Precision 1.1 µm, 200 µm per rotation, total travel range approximately 19 mm. Supplied with an adjustable rack stop to prevent damage to sample and objectives. The coarse adjustment is equipped with friction control

STAGE

The bScope® is equipped with a scratch resistant 152/197 x 131 mm stage with integrated 75 x 36 mm X-Y rackless mechanical stage, Vernier scale and soft-close removable specimen holder. The rackless stage has no protruding parts, enables smooth movements and is safer in use. Low-positioned X-Y control knobs prevent fatigue during long working sessions. The bScope® can be equipped with a heating stage which can be set up to 50° Celsius by a PID temperature controller. Only available with newly purchased microscopes

CONDENSER FOR BRIGHTFIELD

The standard height adjustable Abbe N.A. 1.25 condenser for brightfield comes with an iris diaphragm and swing-out filter holder

POLARIZATION

The bScope® has an integrated slot above the nosepiece for an optional polarization filter

NEOLED™ ILLUMINATION

The 3 W adjustable Köhler NeoLED™ diascope illumination is powered by an internal 100-240 V power supply making it suitable for worldwide use. The innovative NeoLED™ design offers larger apertures, allowing the optical system of the bScope® microscope to produce images at higher resolutions, very close to the theoretical diffraction limit of the optics. Other benefits of the NeoLED™ is the low energy consumption, no heating and a long operating lifetime

KÖHLER ILLUMINATION

A Köhler illumination ensures for all infinity corrected IOS models the highest possible contrast and the maximum achievable resolving power. It generates a uniform illumination of the sample and eliminates all interference from dust on lenses and side glare of the light source
The Köhler illumination is optional for non-IOS models

CORDLESS USE

The optional rechargeable batteries turn the bScope® into a cordless system

CSS – CABLE STORAGE SYSTEM

Allows users to easily stow away excess cable length into the back of the instrument during operation and to roll up the power cable for easy storage

CARRYING GRIP

The integrated carrying grip at the back of the microscope ensures safe transportation of the microscope



Swing-out
Abbe condenser
0.9/1.25 NA



Ergonomic carrying
grip for easy
transportation

ANTI-THEFT SLOT

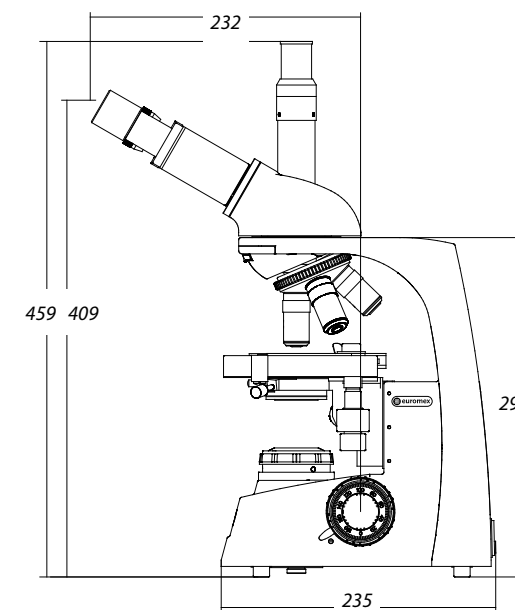
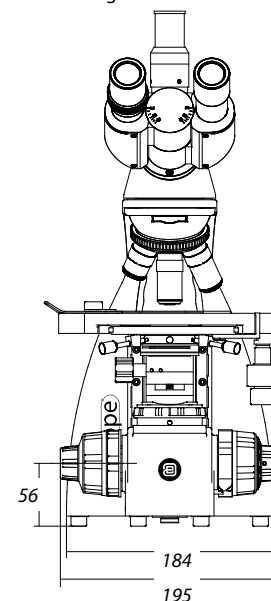
At the back of the microscope a Kensington Security Slot is placed, which can be used to secure the instrument from theft

PACKAGE CONTENT

Smart Styrofoam packaging ensures a low environmental footprint while maintaining a maximum of safety during

transport. Supplied with power cord, dust cover, tools, a spare fuse, white filter, user manual and 5 ml immersion oil

Phase contrast models are supplied with green filter and alignment telescope



BSCOPE® FOR BRIGHTFIELD

MODELS	Mono	Bino	Trino	HWF 10x/20 mm eyepieces	Quadruple nosepiece Plan 4/10/ S40/S100x	Quadruple nosepiece E-plan 4/10/ S40/S100x	Quadruple nosepiece Plan IOS 4/10/S40/ S100x	Quintuple nosepiece E-plan IOS 4/10/ S40/S100x	Quintuple nosepiece Plan IOS 4/10/S40/ S100x	Köhler NeoLED™	Neo- LED™	2-position swiveling ergo head
BS.1151-EPL	•			•		•					•	
BS.1152-EPL		•		•		•					•	
BS.1153-EPL			•	•		•					•	
BS.1152-EPLi	•			•				•		•		•
BS.1153-EPLi			•	•				•		•		•
BS.1151-PL	•			•	•							
BS.1152-PLi		•		•					•	•		•
BS.1153-PLi			•	•					•	•		•
BS.1152-PLi/4N		•		•			•			•		•
BS.1153-PLi/4N			•	•			•			•		•

Rechargeable batteries is optional

All models are equipped with a 152/197 x 131 mm stage with integrated 75 x 36 mm X-Y rackless mechanical stage

All models are medical devices class I

ACCESSORIES AND SPARE PARTS

EYEPIECES

- BS.6010** HWF 10x/20 mm eyepiece, Ø 23.2 mm tube
- BS.6010-P** HWF 10x/20 mm with pointer, Ø 23.2 mm tube
- BS.6010-C** HWF 10x/20 mm eyepiece with crosshairs, Ø 23.2 mm tube
- BS.6010-CM** HWF 10x/20 mm eyepiece, Ø 23.2 mm tube with 10/100 micrometer and crosshairs
- BS.6012** WF 12.5x/14 mm eyepiece, Ø 23.2 mm tube
- BS.6015** WF 15x/11 mm eyepiece, Ø 23.2 mm tube
- BS.6020** WF 20x/11 mm eyepiece, Ø 23.2 mm tube
- BS.6099** Pair of eyecups for BS.6010
- BS.6099-S** Pair of eyecups for BS.6012 and BS.6015

OBJECTIVES

- BS.7104** E-plan EPL 4x/0.10 objective. WD 37.0 mm
- BS.7110** E-plan EPL 10x/0.25 objective. WD 6.61 mm
- BS.7120** E-plan EPL 20x/0.40 objective. WD 1.85 mm
- BS.7140** E-plan EPL S40x/0.65 objective. WD 0.64 mm
- BS.7160** E-plan EPL S60x/0.85 objective. WD 0.20 mm
- BS.7100** E-plan EPL S100x/1.25 objective. WD 0.19 mm

- BS.7510** E-plan phase EPLPH 10x/0.25 objective. WD 5.95 mm
- BS.7520** E-plan phase EPLPH 20x/0.40 objective. WD 2.61 mm
- BS.7540** E-plan phase EPLPH S40x/0.65 objective. WD 0.66 mm
- BS.7500** E-plan phase EPLPH S100x/1.25 objective. WD 0.36 mm

- BS.8204** E-plan EPLi 4x/0.10 IOS objective. WD 18.9 mm
- BS.8210** E-plan EPLi 10x/0.25 IOS objective. WD 5.95 mm
- BS.8220** E-plan EPLi 20x/0.40 IOS objective. WD 2.61 mm
- BS.8240** E-plan EPLi S40x/0.65 IOS objective. WD 0.78 mm
- BS.8200** E-plan EPLi S100x/1.25 IOS objective. WD 0.36 mm

- BS.8404** Plan PLi 4x/0.10 IOS objective. WD 21.0 mm
- BS.8410** Plan PLi 10x/0.25 IOS objective. WD 5.0 mm
- BS.8420** Plan PLi 20x/0.40 IOS objective. WD 8.8 mm
- BS.8440** Plan PLi S40x/0.65 IOS objective. WD 0.66 mm

- BS.8460** Plan PLi S60x/0.85 infinity corrected IOS objective. WD 0.46 mm
- BS.8400** Plan PLi S100x/1.25 IOS objective. WD 0.36 mm

CONDENSERS

- BS.9102** Abbe condenser 1,25 NA with slot for darkfield and phase contrast sliders
- BS.9170** Darkfield stop for BS.9102 condenser
- BS.9105** Swing-out Abbe condenser 0.9/1.25 NA

ATTACHMENTS

- BS.9647** Polarizer for polarization Ø 16 mm for slider under bScope head
- BS.9651** Polarization attachment for lamphouse of bScope with 360° scale
- BS.9660** Polarization kit: analyzer under head and polarizer on lamphouse
- BS.9880** Köhler attachment

CAMERA ACCESSORIES

- AE.5130** Universal Ø 23.2 mm tube adapter with built-in 2x lens for SLR photo camera with APS-C sensor. Needs T2 adapter
- AE.5025** T2 adapter for Nikon D SLR digital camera
- AE.5040** T2 adapter for Canon EOS SLR digital camera

MISCELLANEOUS

- BS.9900** Aluminum transport case
- BS.9993** NeoLED™ replacement unit
- AE.1370** Set of rechargeable batteries, 3 pieces

DISPOSABLES

- PB.5155** Microscope slides 76 x 26 mm, ground edges, 50 pieces per pack
- PB.5157-W** Microscope slides 76 x 26 mm, ground edges. White frosted side, 50 pieces per pack
- PB.5157-B** Microscope slides 76 x 26 mm, ground edges. Blue frosted side, 50 pieces per pack
- PB.5165** Cover glasses 18 x 18 mm, thickness 0.13-0.17 mm, 100 pieces

- PB.5168** Cover glasses 22 x 22 mm, thickness 0.13-0.17 mm, 100 pieces
- PB.5245** Lens cleaning paper, 100 sheets per pack
- PB.5255** Immersion oil (25 ml), n = 1.482
- PB.5274** Isopropyl alcohol 99% (200 ml)

- PB.5275** Cleaning kit: lens cleaning fluid, lint free lens tissue/paper, brush, air blower, cotton swabs
- PB.5276** Microscope maintenance and servicing kit, 16 pcs: cleaning brush, 6 pcs screwdriver set, air blower, 3 pcs Allen key, 1.5, 2, 2.5 mm, lens cleaning fluid 20 ml, cleaning cloth 140 x 140 mm, 100 pcs lens tissue sheets, tube of maintenance grease, 10 ml bottle of oil, packed in a nice toolbox

For phase contrast attachments and accessories see chapter 4



● CSS – Cable Storage System

BIOLOGICAL MICROSCOPES

iscope®

FEATURED

Medical Device

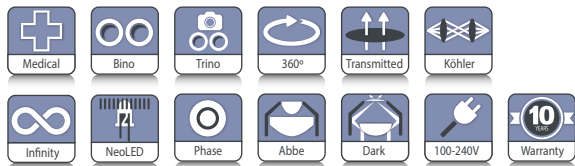


● IS.1153-PLi

iScope®

The iScope® microscopes exceed today's standard, as they provide more comfort and convenience for microscopists with ergonomic features such as height adjustable eye tubes and a large rackless stage with double slide holder. The modern design and compact size of the iScope® microscopes allow more working space, safer operation and enable easy storage

The iScope® series is available in various configurations, suitable for high schools, universities, and Life and Biomedical Sciences. Observation methods such as brightfield, phase contrast, cardioid mirror darkfield, basic polarization and fluorescence are available



IS.1153-PLi
408 (h) x 210 (w) x 255 (d) mm | 9.0 kg



● IS.1152-PLPHi

SPECIFICATIONS

EYEPIECES

Extended plan wide field EWF 10x/20 mm eyepieces with 20 mm field of view and adjustable diopter on the left eyepiece for non-infinity corrected systems (Ø 23.2 mm tube)

Extended plan wide field EWF 10x/22 mm eyepieces with 22 mm field of view and adjustable diopter on both eyepieces for infinity corrected IOS plan and plan phase systems and adjustable diopter on the left tube for EPLi systems (Ø 30 mm tube)

HEAD

Binocular and trinocular Siedentopf type heads with 30° inclined tubes. Interpupillary distance from 48 to 76 mm. The trinocular head of the plan infinity corrected models (IS.1153-PLi) has an optical path selector (100:0 / 50:50) and ± 5 diopter adjustments on both Ø 30 mm tubes. The trinocular head of the E-plan infinity corrected models (IS.1153-EPLi) has a fixed built-in beam splitter (50:50) and ± 5 diopter adjustment on the Ø 30 mm left tube. The trinocular head of the E-plan finite models (IS.1153-EPL) has a fixed built-in 50:50 beam splitter and one ± 5 diopter adjustment on the Ø 23.2 mm left tube. A unique rotating

HIGHLIGHTS

- Medical device class I – EU MDR 2017-745
- EWF 10x/22 mm and EWF10x/20 mm eyepieces
- Binocular and trinocular models
- Optional multiheads
- Optional tilting head
- Quintuple reversed nosepiece
- E-plan, plan and plan phase objectives
- E-plan, plan and plan phase infinity corrected IOS objectives
- 156 x 138 mm stage or 187/230 x 140 mm rackless stage
- Intensity adjustable 3 W NeoLED™ Köhler illumination
- iCare sensor for energy saving
- CSS - Cable Storage System
- 10 Years warranty

system allows the ergonomic positioning of both tubes in a high (431 mm) and in a low position (397 mm). The trinocular head comes with a Ø 23.2 mm photo port

ERGONOMIC TILTING HEAD

Optional: the ergonomic 5 to 35° tilting head, supplied with EWF 10x/22 mm eyepieces, interpupillary distance 48-75 mm and optional photo attachment with standard Ø 23.2 mm tube (only infinity corrected models)

To order an iScope® with tilting head use reference IS.1158-xxx

To order an iScope® with tilting head and photo tube attachment use reference IS.1159-xxx

FACE-TO-FACE HEADS

The iScope® can be supplied with two heads in a face-to-face configuration, allowing simultaneous observation by two operators. The Ø 30 mm tubes of the head are equipped with EWF 10x/20 mm eyepieces. The main binocular head has one diopter adjustment, the second head has two diopter adjustments. Only available for the model with plan infinity corrected objectives (IS.1154-PLi). The face-to-face head is equipped with a 2-color laser pointer

MULTIHEAD SYSTEM

The iScope® can be extended with a unique multihead system for in total 2, 3 or 5 heads, allowing simultaneous observation of specimens. The central attachment is equipped with a joystick to move a green and red laser pointer across the entire field of view of all heads. Configurations with one, two

or four additional viewing binocular heads, 30° inclined tubes and plan 4x, 10x, S40x, S100x oil immersion infinity corrected IOS objectives. Each extra viewing binocular head is equipped with extended wide field plan EWF 10x/22 mm eyepieces (*references: IS.1156-PLi-x, x = total number of heads*)

OBJECTIVES

E-Plan EPL	4x/0.10	10x/0.25	20x/0.40*	S40x/0.65	S100x/1.25 oil
E-Plan EPLi IOS	4x/0.10	10x/0.25	20x/0.40*	S40x/0.65	S100x/1.25 oil
Plan PLi IOS	4x/0.10	10x/0.25	20x/0.40*	S40x/0.65	S60x/0.85*
Plan phase PLPH		10x/0.25	20x/0.40	S40x/0.65	S100x/1.25 oil
Plan phase PLPHi IOS		10x/0.25	20x/0.40	S40x/0.65	S100x/1.25 oil

* optional

All optics are anti-fungus treated and anti-reflection coated for maximum light throughput

NOSEPIECE

Revolving quintuple reversed nosepiece for a maximum of five objectives

STAGE

The iScope® can be equipped with three types of stages:

- 156 x 138 mm stage equipped with integrated 79 x 52 mm X-Y mechanical stage
- 187/230 x 140 mm rackless stage equipped with double slide holder and integrated 79 x 52 mm X-Y mechanical stage. The iScope® rackless stage has no protruding parts, enables more smooth movements and is safer
- 220 x 157 mm ceramic stage with integrated 75 x 50 mm X-Y mechanical stage is protected against marks and scratches with a very tough ceramic surface. The surface also ensures stray light not to be reflected from the stage into the objective

The iScope® can be supplied with a heating stage which can be set up to 50° Celsius by a PID temperature controller. Only available with newly purchased microscopes. Higher temperatures can be achieved on special request

CONDENSER FOR BRIGHTFIELD

The standard height adjustable Abbe N.A. 1.25 condenser for brightfield accepts sliders with phase annuli suitable for plan phase 10x/20x or S40x/S100x oil immersion IOS objectives for economical phase contrast. With magnification indication. A slider with a simple dark stop for darkfield up to 400x magnification is also available

CONDENSER FOR ZERNIKE PHASE CONTRAST

An optional height adjustable Zernike NA. 1.25 phase contrast disc condenser with plan phase 10/20/S40x and S100x oil immersion objectives and darkfield stop position for darkfield contrast up to 400x magnification

FOCUSING

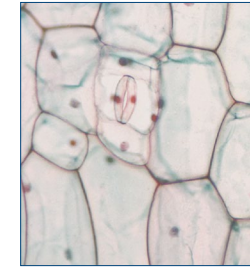
Coaxial coarse and fine adjustments, 200 graduations, 1 µm per graduation, 200 µm per rotation, total travel range is approximately 24 mm. Supplied with an adjustable rack stop to prevent damage to sample and objectives. The coarse adjustments are equipped with friction control

ILLUMINATION

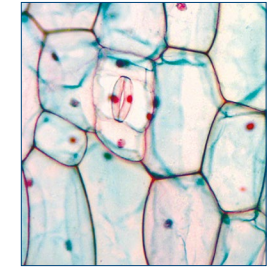
3 W adjustable Köhler NeoLED™ diascope illumination with internal 100-240 V power supply. The innovative NeoLED™ design offers larger apertures, allowing the optical system of the iScope® microscope to produce images at higher resolutions, very close to the theoretical diffraction limit of the optics. Other benefits of the NeoLED™ is the low energy consumption, no heating and a long operating life span. The Köhler illumination on models with IOS plan and plan phase infinity corrected system provides high contrast and a maximum achievable resolving power of the optics. Also available for other models as option

ICARE SENSOR

The unique iCare Sensor is developed to avoid unnecessary loss of energy. The illumination of the microscope automatically switches off shortly after microscopists step away from their position



● Normal LED



● NeoLED™

CSS – CABLE STORAGE SYSTEM

iScope® allows users to easily insert the power cable into the back of the instrument, which enables easy storage. The integrated carrying grip at the back of the microscope ensures safe transportation of the microscope

PACKAGE CONTENT

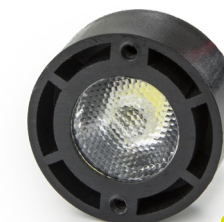
Supplied with power cord, dust cover, a spare fuse, user manual and 5 ml immersion oil for models with S100x objective. All packed in polystyrene boxes



Check out the product video on YouTube and learn more about this microscope. YouTube channel: **Euromex Optics Group B.V.**



● IS.1152-EPL



● NeoLED™

ISCOPE® FOR LIFE SCIENCE (FINITY MODELS)

MODELS	Binocular	Trinocular	Phase contrast	EWF 10x20 mm	E-plan objectives	Plan phase objectives	Mechanical stage	iCare Sensor
IS.1152-EPL	•			•	•		•	•
IS.1153-EPL		•		•	•		•	•
IS.1152-PLPH	•		•	•		•	•	•
IS.1153-PLPH		•	•	•		•	•	•

ISCOPE® FOR LIFE SCIENCE (INFINITY MODELS)

MODELS	Binocular	Trinocular	Phase contrast	EWF 10x22 mm	E-plan IOS objectives	Plan IOS objectives	Plan phase IOS objectives	Mechanical stage	iCare Sensor	Köhler LED
IS.1152-EPLi	•			•	•			•	•	
IS.1153-EPLi		•		•	•			•	•	
IS.1152-PLi	•			•*		•		•	•	•
IS.1153-PLi		•		•*		•		•	•	•
IS.1152-PLPHi	•		•	•*			•	•	•	•
IS.1153-PLPHi		•	•	•*			•	•	•	•

*Two tubes with diopter adjustments

ISCOPE® FOR LIFE SCIENCE (INFINITY - ERGONOMIC TILTING HEAD)

MODELS	Bino	Photo attachment	Phase contrast	EWF 10x22 mm	E-plan IOS 4x/10x/ 40x/ 100x objectives	Plan IOS 4x/10x/ 40x/ 100x objectives	Plan phase IOS 10x/20x/ 40x/ 100x objectives	Mechanical rackless stage	iCare Sensor	Köhler LED
IS.1158-EPLi	•			•	•			•	•	
IS.1159-EPLi	•	•		•	•			•	•	
IS.1158-PLi	•			•		•		•	•	•
IS.1159-PLi	•	•		•		•		•	•	•
IS.1158-PLPHi	•		•	•			•	•	•	•
IS.1159-PLPHi	•	•	•	•			•	•	•	•

ISCOPE® FOR LIFE SCIENCE (MULTIHEAD SYSTEMS)

MODELS	Total users	Binocular	Trinocular	EWF 10x20 mm	Plan IOS objectives	Mechanical rackless stage	iCare sensor	Köhler LED
IS.1156-PLi2	2	1x	•	•	•	•	•	•
IS.1156-PLi3	3	2x	•	•	•	•	•	•
IS.1156-PLi5	5	4x	•	•	•	•	•	•
IS.1156-PLi9	9	8	•	•	•	•	•	•

ISCOPE® FOR LIFE SCIENCE (FACE-TO-FACE DUAL HEAD SYSTEM)

MODELS	Total users	Binocular EWF 10x/20 mm	Trinocular EWF 10x/20 mm	E-Plan IOS 4x/10x/ 40x/100x objectives	Plan IOS 4x/10x/ 40x/100x objectives	Mechanical rackless stage	iCare sensor	Köhler LED
IS.1154-PLi	2	2x				•	•	•
IS.1154-EPLi	2	2x			•	•	•	•
IS.1154-PLi/T	2	1x	1x			•	•	•
IS.1154-EPLi/T	2	1x	1x		•	•	•	•



● IS.115x-EPL stage



● IS.115x-PLi rackless stage

ACCESSORIES AND SPARE PARTS

EYEPIECES

- IS.6010** EWF 10x/20 mm eyepiece (Ø 23.2 mm tube)
- IS.6010-P** EWF 10x/20 mm eyepiece with pointer (Ø 23.2 mm tube)
- IS.6010-C** EWF 10x/20 mm eyepiece with crosshairs (Ø 23.2 mm tube)
- IS.6010-CM** EWF 10x/20 mm eyepiece with 10/100 micrometer and cross (Ø 23.2 mm tube)
- IS.6015** WF 15x/16 mm eyepiece (Ø 23.2 mm tube)
- IS.6099** Pair of eyecups, Ø 23.2 mm tube
- IS.6210** EWF 10x/22 mm eyepiece (Ø 30mm tube)
- IS.6210-C** EWF 10x/22 mm eyepiece with crosshairs (Ø 30 mm tube)
- IS.6210-P** EWF 10x/22 mm eyepiece with pointer (Ø 30 mm tube)
- IS.6210-CM** EWF 10x/22 mm eyepiece with 10/100 micrometer and crosshairs (Ø 30 mm tube)
- IS.6212** WF 12.5x/17 mm eyepiece (Ø 30 mm tube)
- IS.6215** WF 15x/16 mm eyepiece (Ø 30 mm tube)
- IS.6215-CM** WF 15x/16 mm eyepiece with 10/100 micrometer and crosshairs (Ø 30 mm tube)
- IS.6220** WF 20x/12 mm eyepiece (Ø 30 mm tube)
- IS.6299** Pair of eyecups for infinity models (Ø 30 mm tube)

OBJECTIVES

- IS.7104** E-plan EPL 4x/0.10 objective. WD 15.2 mm
- IS.7110** E-plan EPL 10x/0.25 objective. WD 5.5 mm
- IS.7120** E-plan EPL 20x/0.40 objective. WD 3.5 mm
- IS.7140** E-plan EPL S40x/0.65 objective. WD 0.45 mm
- IS.7160** E-plan EPL S60x/0.85 objective. WD 0.19 mm
- IS.7100** E-plan EPL S100x/1.25 objective. WD 0.13 mm
- IS.7710** Plan PLPH 10x/0.25 phase contrast objective. WD 12.2 mm
- IS.7720** Plan PLPH 20x/0.40 phase contrast objective. WD 5 mm
- IS.7740** Plan PLPH S40x/0.65 phase contrast objective. WD 0.37 mm
- IS.7700** Plan PLPH S100x/1.25 oil phase contrast objective. WD 0.13 mm
- IS.8804** E-plan EPLi 4x/0.10 IOS objective. WD 15.4 mm
- IS.8810** E-plan EPLi 10x/0.25 IOS objective. WD 5.8 mm
- IS.8840** E-plan EPLi S40x/0.65 IOS objective. WD 0.43 mm
- IS.8800** E-plan EPLi S100x/1.25 IOS objective. WD 0.13 mm
- IS.7202** Plan PLi 2x/0.05 IOS objective, WD 18.3 mm. Best to be used together with swing-out condenser

- IS.7204** Plan PLi 4x/0.10 IOS objective. WD 15.4 mm
- IS.7210** Plan PLi 10x/0.25 IOS objective. WD 10 mm
- IS.7220** Plan PLi 20x/0.40 IOS objective. WD 5.1 mm
- IS.7240** Plan PLi S40x/0.65 IOS objective. WD 0.54 mm
- IS.7260** Plan PLi S60x/0.85 IOS objective. WD 0.14 mm
- IS.7200** Plan PLi S100x/1.25 IOS objective. WD 0.13 mm

- IS.8910** Plan PLPHi 10x/0.25 phase contrast IOS. WD 10.2 mm
- IS.8920** Plan PLPHi 20x/0.40 phase contrast IOS. WD 5.1 mm
- IS.8940** Plan PLPHi S40x/0.65 phase contrast IOS. WD 0.5 mm
- IS.8900** Plan PLPHi S100x/1.25 oil phase contrast IOS. WD 0.13 mm

CONDENSERS

- IS.9102** Standard Abbe condenser 1.25 NA with slot for darkfield and phase contrast sliders
- IS.9105** Swing-out 0.9/1.25 N.A. condenser
- IS.9170** Slider with darkfield stop

PHASE CONTRAST ATTACHMENTS

- IS.9124** Zernike phase contrast set including rotating disc with PLPH 10/20/40/100, brightfield and darkfield position
- IS.9127** Zernike phase contrast set including rotating disc with PLPH 10/20/40/100, brightfield and darkfield position
- IS.9148** Alignment telescope for phase contrast, Ø 30 mm tube
- IS.9149** Alignment telescope for phase contrast, Ø 23.2 mm tube
- IS.9190** Slider with phase contrast annuli for 10x and S40x phase contrast objective
- IS.9192** Slider with phase contrast annuli for 20x and S100x phase contrast objective
- IS.9194** Slider with phase contrast annuli for S40x phase contrast objective

FILTERS

- IS.9600** Polarization filter 45 mm for lamphouse
- IS.9601** Polarization set: simple rotating polarizer for lamphouse and fixed polarizer mounted under head
- IS.9626** Polarization filter for mounting under the head
- IS.9700** Blue filter 45 mm for lamphouse
- IS.9702** Green filter 45 mm for lamphouse
- IS.9704** Yellow filter 45 mm for lamphouse
- IS.9706** White opaque filter 45 mm for lamphouse

MISCELLANEOUS

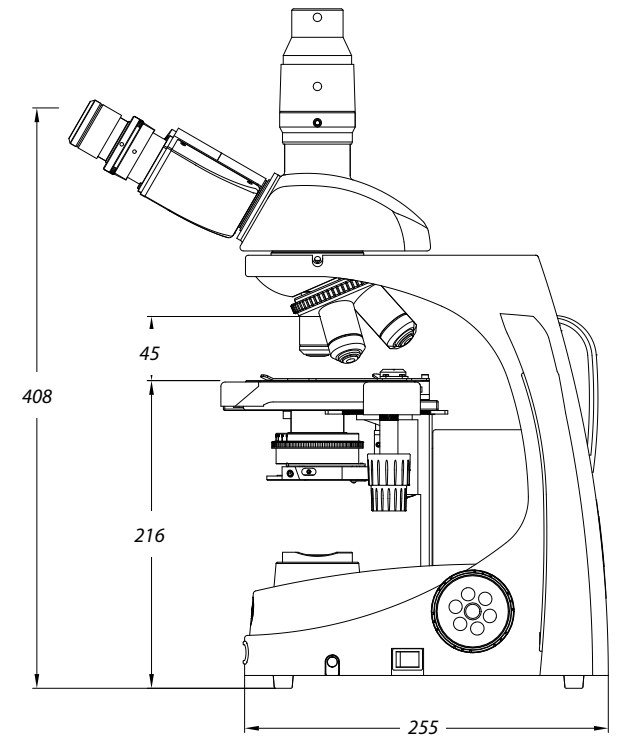
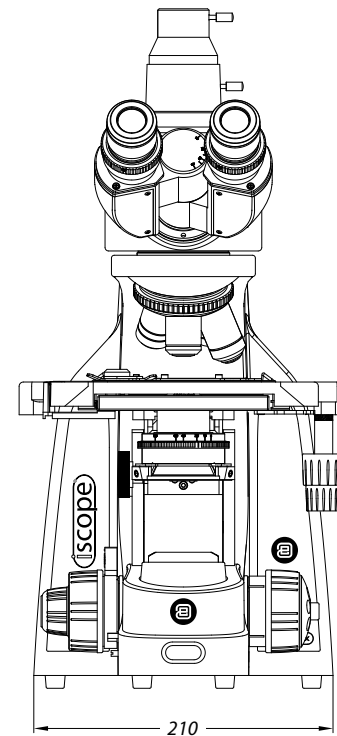
- IS.4300** Aluminum transport case for iScope
- IS.9880** Köhler attachment
- AE.3684** Glass fuses 500 mA 250 V, 10 pieces
- SL.5500** NeoLED™ replacement unit

CAMERA ACCESSORIES

- AE.5130** Universal SLR adapter with built-in 2x lens for standard 23.2 mm tube. Needs T2 adapter
- AE.5025** T2 adapter for Nikon D SLR digital camera
- AE.5040** T2 adapter for Canon EOS SLR digital camera

DISPOSABLES

- PB.5155** Microscope slides 76 x 26 mm, ground edges, 50 pieces per pack
- PB.5157-W** Microscope slides 76 x 26 mm, ground edges and frosted side white color, 50 pieces per pack
- PB.5157-B** Microscope slides 76 x 26 mm, ground edges and frosted side blue color, 50 pieces per pack
- PB.5165** Cover glasses 18 x 18 mm, 0.13-0.17 mm, 100 pieces
- PB.5168** Cover glasses 22 x 22 mm, 0.13-0.17 mm, 100 pieces
- PB.5245** Lens cleaning paper, 100 sheets per pack
- PB.5255** Immersion oil, 25 ml. Refraction index n = 1.482
- PB.5274** Iso propyl alcohol 99%, 200 ml
- PB.5275** Cleaning kit: lens fluid, lint free lens tissue/paper, brush, air blower, cotton swabs
- PB.5276** Microscope maintenance and servicing kit, 16 pcs: cleaning brush, 6 pcs screwdriver set, air blower, 3 pcs Allen key, 1.5, 2, 2.5 mm, lens cleaning fluid 20 ml, cleaning cloth 140 x 140 mm, 100 pcs lens tissue sheets, tube of maintenance grease, 10 ml bottle of oil, packed in a nice toolbox



education

stereo microscopes



stereo microscopes



Euromex stereo microscopes are ideal instruments for most demanding teaching classes. The high-resolution three-dimensional images generated by these robust, student-friendly microscopes make them highly appreciated by both teachers and students

Digital models with built-in camera and measuring software are also available

- EDUBLUE • PAGE 48
- STEREOBLUE • PAGE 52
- NEXIUSZOOM • PAGE 58
- AP SERIES • PAGE 68

STEREO MICROSCOPES

BlueLine
DUTCH QUALITY

APL™

EDUCATION
STEREO MICROSCOPES

EDUCATION
STEREO MICROSCOPES

2

2

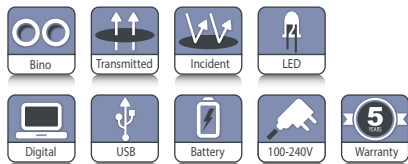


EduBlue

The EduBlue microscopes are ideal for educational purposes and available from 5x up to 80x magnifications

The two parallel optical trains allow the three-dimensional observation of small insects, plants, stones and minerals

● Rack & pinion stand model ED.1402-S



ED.1302-P / ED.1402-P
225 (h) x 175 (w) x 220 mm (d) 2.4 kg
ED.1302-S / ED.1402-S
260 (h) x 175 (w) x 220 mm (d) 2.1 kg
ED.1505-S / ED.1805-S
260 (h) x 175 (w) x 220 mm (d) 2.3 kg

HIGHLIGHTS

- Designed for education
- Robust and sturdy, with secured eyepieces
- WF 10x/20 mm eyepieces
- Dual or triple magnifications
- Available in ergonomic rack & pinion and pillar stands
- Double 1 W LED illumination
- With rechargeable batteries for cordless use
- Digital models with 5.0 MP camera available
- Ergonomic carrying grip
- 5 Years warranty



● Pillar stand model ED.1302-P

SPECIFICATIONS

EYEPIECES

Pair of secured WF 10x/20 mm eyepieces supplied with eyecups

HEAD

- Binocular head with 45° inclined tube.
- Diopter adjustment of ± 5 on one side
- Interpupillary distance adjustable between 55 and 75 mm
- Digital head is supplied with a 5.0 MP USB-2.0 1/2.8" CMOS camera
- A maximum of resolution of 2560 x 1920 pixels

DUAL MAGNIFICATION OBJECTIVES

- Revolving nosepiece with dual 1x/3x and 2x/4x magnifications objectives, which can provide standard magnifications of 10x and 30x or 20x and 40x
- Working distance 60 mm
- Field of view of 20/6.7 mm or 10/5 mm
- Magnifications can be altered using optional eyepieces

All optics are anti-fungus treated and anti-reflection coated for maximum light throughput

TRIPLE MAGNIFICATION OBJECTIVES

- Revolving nosepiece with triple 1x/2x/3x and 1x/2x/4x magnifications objectives, which can provide standard magnifications of 10x, 20x and 30x or 10x, 20x and 40x
- Working distance 60 mm
- Fields of view of 20/10/6.7 mm or 20/10/5mm
- Magnifications can be altered using optional eyepieces



Revolving nosepiece with triple magnification

STAND

The rack & pinion and pillar stands of the EduBlue are equipped with ergonomic flat bases, complete with two object clamps and Ø 60 mm transparent and black/white stage plates. The coarse adjustment is equipped with tension control. The stands are alloy metal casted with hardened coating



● ED.1505-S

ILLUMINATION

The transmitted and incident 1 W LED illuminations can be used simultaneously and the light intensities can be adjusted separately. Supplied with an external 100-240 V mains adapter/charger and three rechargeable batteries for corded and cordless use

DIGITAL MODELS

Digital models are equipped with a 5 MP USB-2.0 1/2.8 inch sensor CMOS camera. Maximum resolution is 2560 x 1920 pixels, smaller resolutions are selectable. Delivered with ImageFocus Plus for capturing of images and videos. This software also allows a full range of analyzing tools such as measurements on still and live images and annotations on captured images.

*For more information see chapter 3:
Digital solutions*

PACKAGE CONTENT

Supplied with 100-240 V mains adapter/charger, dust cover, eyecups and user manual. All packed in a polystyrene box



Check out the product video on YouTube and learn more about the BlueLine. YouTube channel: **Euromex Optics Group B.V.**

MODELS	Digital head	1x/3x objectives	2x/4x objectives	1x/2x/3x objectives	1x/2x/4x objectives	Pillar stand	Rack & pinion stand
ED.1302-P		•				•	
ED.1302-S		•					•
ED.1305-S	•	•					•
ED.1402-P			•			•	
ED.1402-S			•				•
ED.1405-S	•		•				•
ED.1502-S				•			•
ED.1505-S	•			•			•
ED.1802-S					•		•
ED.1805-S	•				•		•

ACCESSORIES AND SPARE PARTS

EYEPIECES

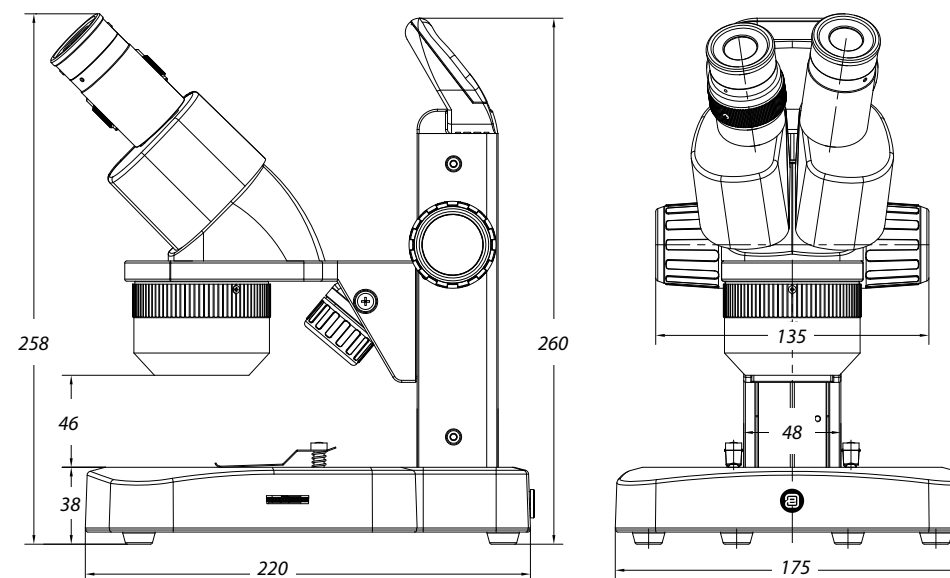
- ED.6005** Pair of HWF 5x/22 mm eyepieces
- ED.6010** Pair of HWF 10x/20 mm eyepieces
- ED.6015** Pair of HWF 15x/12 mm eyepieces
- ED.6020** Pair of HWF 20x/10 mm eyepieces
- ED.6110** HWF 10x/20 mm eyepiece with 10 mm/100 micrometer
- ED.6099** Pair of eyecups

MISCELLANEOUS

- ED.9570** Pair of object clamps for stage
- ED.9950** Stage plate frosted glass, opaque, Ø 60 mm
- ED.9956** Stage plate black/white, Ø 60 mm
- ED.4300** Aluminum transport case for EduBlue microscopes
- AE.9918** Nylon microscope bag (25 x 39 x 19 cm)
- AE.1112** Micrometer 76 x 26 mm slide, 50 mm/50 divisions
- SL.5504** LED replacement unit, incident illumination
- SL.5505** LED replacement unit, transmitted illumination

DISPOSABLES

- PB.5245** Lens cleaning paper, 100 sheets per pack
- PB.5274** Isopropyl alcohol 99% (200 ml)
- PB.5275** Cleaning kit: lens cleaning fluid, lint free lens tissue, brush, air blower, cotton swabs
- PB.5276** Microscope maintenance and servicing kit, 16 pcs: cleaning brush, 6 pcs screwdriver set, air blower, 3 pcs Allen key, 1.5, 2, 2.5 mm, lens cleaning fluid 20 ml, cleaning cloth 140 x 140 mm, 100 pcs lens tissue sheets, tube of maintenance grease, 10 ml bottle of oil, packed in a nice toolbox



STEREO MICROSCOPES



EDUCATION
STEREO MICROSCOPES
2



StereoBlue

StereoBlue microscopes are developed especially for laboratory applications, education, and are greatly appreciated by biologists, entomologists, geologists, mechanical and electronic engineers and other professionals such as jewelers and dental technicians

● SB.1903

- Bino
- Trino
- 360°
- Transmitted
- Incident
- LED
- Zoom
- Battery
- 100-240V
- 5 Warranty

SB.1903
330 (h) x 220 (w) x 266 mm (d) 4.4 kg
SB.1903-P
299 (h) x 220 (w) x 266 mm (d) 5.1 kg
SB.1302/SB.1402
330 (h) x 220 (w) x 266 mm (d) 4.0 kg
SB.1302-P/SB.1402-P
299 (h) x 220 (w) x 266 mm (d) 4.7 kg

HIGHLIGHTS

- Designed for professional use
- Robust and sturdy
- WF 10x/21 mm eyepieces
- Dual magnifications or zoom models
- Available in ergonomic rack & pinion, pillar, universal and boom stands
- Double 3 W LED illumination
- Also available with batteries
- Ergonomic carrying grip
- 5 Years warranty

SPECIFICATIONS

EYEPIECES

Pair of WF 10x/21 mm eyepieces supplied with eyecups

HEAD

- Binocular or trinocular 45° inclined tubes
- Diopter adjustment on both eyepieces, except the models SB.1302-P/1402-P and SB.1302 /1402 , which have diopter adjustment on one side
- Interpupillary distance adjustable between 55 mm and 75 mm
- Trinocular head is supplied with a fixed light path beam splitter (50:50)

All optics are anti-fungus treated and anti-reflection coated for maximum light throughput

DUAL MAGNIFICATION OBJECTIVES

- Nosepiece with dual 1x/3x or 2x/4x revolving objectives
- Magnifications 10x/30x or 20x/40x
- Field of view 21 mm/6.9 mm or 10.5 mm/5.2 mm
- Working distance 100 mm

ZOOM OBJECTIVE

- Zoom stereo 0.7x to 4.5x parfocal objective
- Magnification from 7x to 45x
- Field of view 29.9 mm to 4.6 mm
- Working distance 100 mm



● Universal stand model SB.1902-U

STAND

The rack & pinion and pillar stands of the StereoBlue are equipped with ergonomic flat bases, complete with two object clamps and Ø 60 mm transparent and a black/white stage plate. The coarse adjustment is equipped with tension control

The ergonomically designed universal (single arm) and boom stand (dual arm) are ideal for looking at large samples or working under the microscope. They come without illumination. Suitable for e.g. ring illuminators LE.1973 and LE.1974. The stands are alloy metal casted with hardened coating



Built-in ring light with 30 intensity adjustable LED's

EDUCATION
STEREO MICROSCOPES
2

ILLUMINATION

3 W transmitted and incident LED illuminators which can be used simultaneously. Model SB.3903 and SB.3903-P are equipped with 3 W transmitted and incident LED illuminators and a built-in 30 LED ring light incident illuminator. The light intensities can be adjusted separately. Also available with batteries (add "B" after article number, e.g. SB.1302-PB)

PACKAGE CONTENT

Models with illumination are supplied with power cord, dust cover, eyecups, a spare fuse, Ø 60 mm transparent and black/ white stage plates and user manual. All packed in a polystyrene box



Check out the product video on YouTube and learn more about the BlueLine. YouTube channel: **Euromex Optics Group B.V.**

CAMERAS

Euromex offers a wide range of cameras, see chapter 3 (Digital Solutions)



● SB.1302

● SB.1402-P

● SB.3903-P

MODELS	Bino	Trino	1x/3x objective	2x/4x objective	0.7 - 4.5x zoom	Rack & pinion stand 3 W LED	Pillar stand 3 W LED	Universal stand	Boom stand on heavy base plate	30 LED right light	Weight (kg)
SB.1302	•		•			•					3.3
SB.1302-P	•		•				•				4.2
SB.1402	•			•		•					3.3
SB.1402-P	•			•			•				4.2
SB.1902	•				•	•					3.6
SB.1902-P	•				•		•				4.4
SB.1902-U	•				•			•			15.4
SB.1902-B	•				•				•		21.9
SB.1903		•			•	•					3.7
SB.1903-P		•			•		•				4.5
SB.1903-U		•			•			•			15.5
SB.1903-B		•			•				•		22.0
SB.3903		•			•	•				•	3.7
SB.3903-P		•			•		•			•	4.5

MAGNIFICATIONS

WORKING DISTANCES AND FIELD OF VIEW SPECIFICATIONS

EYEPIECES - 10X/21 MM

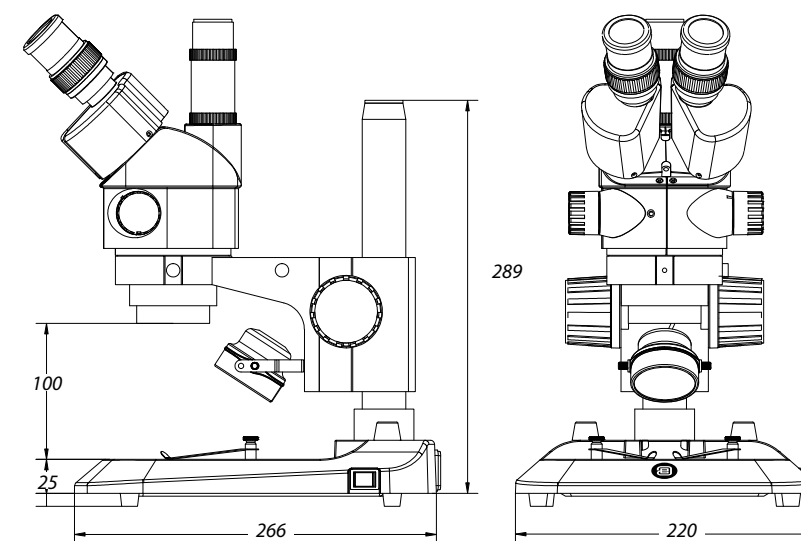
Magnification additional lens	Working distance	Minimum magnification	Maximum magnification	Maximum field of view	Minimum field of view
0.5	179	3.5	22.5	59.9	9.3
0.75	105	5.3	33.8	40.0	6.2
Standard	100	7.0	45.0	30.0	4.6
1.5	53	10.5	67.5	19.9	3.1

EYEPIECES - 15X/15 MM

Magnification additional lens	Working distance	Minimum magnification	Maximum magnification	Maximum field of view	Minimum field of view
0.5	179	5.3	33.8	42.9	6.7
0.75	105	7.9	50.6	28.6	4.4
Standard	100	10.5	67.5	21.4	3.3
1.5	53	15.8	101.3	14.3	2.2

EYEPIECES - 20X/10 MM

Magnification additional lens	Working distance	Minimum magnification	Maximum magnification	Maximum field of view	Minimum field of view
0.5	179	7.0	45.0	28.6	4.4
0.75	105	10.5	67.5	19.0	3.0
Standard	100	14.0	90.0	14.3	2.2
1.5	53	21.0	135.0	9.5	1.5



ACCESSORIES AND SPARE PARTS

EYEPIECES

- SB.6210** Pair of HWF 10x/21 mm eyepieces
- SB.6210-C** WF 10X/21 mm eyepiece with crosshairs
- SB.6210-M** WF 10X/21 mm eyepiece with micrometer scale
- SB.6015** Pair of HWF 15x/15 mm eyepieces
- SB.6015-C** WF 15X/15 mm eyepiece with crosshairs
- SB.6015-M** WF 15X/15 mm eyepiece with micrometer scale
- SB.6020** Pair of HWF 20x/10 mm eyepieces
- SB.6020-C** WF 20/10 mm eyepiece with crosshairs
- SB.6020-M** WF 20/10 mm eyepiece with micrometer scale
- SB.6099** Pair of eyecups

AUXILIARY LENSES

- SB.8903** Auxiliary 0.3x lens for zoom models, WD 287 mm. Only suitable for boom and articulated stands
- SB.8905** Auxiliary 0.5x lens for zoom models, WD 179 mm. Only suitable for SB.1902-P, SB.1903-P, SB.1902-U, SB.1903-U, SB.1902-B and SB.1903-B
- SB.8907** Auxiliary 0.75x lens for zoom models WD 105 mm
- SB.8915** Auxiliary 1.5x lens for zoom models WD 53 mm. Not suitable for SB.39xx

MISCELLANEOUS

- SB.8950** Protection glass window for StereoBlue
- SB.9020** Universal single-arm stand without head holder and without illumination
- SB.9030** Universal double-arm stand without head holder and without illumination
- SB.9090** Head holder for SB.9020
- SB.9040** Darkfield attachment for StereoBlue, only for -S and -P models
- SB.9520** Polarization kit for StereoBlue: 360° rotatable circular stage with built-in polarization filter (SB.9524) and analyzer in mount to be screwed under the head (SB.9525)
- SB.9524** 360° rotatable circular stage with built-in polarization filter for StereoBlue
- SB.9525** 360° rotatable analyzer in mount to be screwed under the head of StereoBlue
- SB.9570** Pair of object clamps for stage

- SB.9952** Stage plate transparent, Ø 60 mm
- SB.9956** Stage plate black/white, Ø 60 mm
- SB.9983-R** 3 W LED replacement unit for StereoBlue, incident illumination
- SB.9983** 3 W LED replacement unit for StereoBlue, transmitted illumination
- AE.1112** Micrometer 76 x 26 mm slide, 50 mm/50 divisions

CAMERA ACCESSORIES

- SB.9850** C-mount adapter with 0.5x lens for 1/2" cameras. Only for trinocular models
 - AE.5130** Universal SLR camera adapter with 2x projection lens for 23.2 mm tubes. Needs T2 adapter
 - AE.5025** T2 adapter for Nikon D digital SLR cameras
 - AE.5040** T2 adapter for Canon EOS digital SLR cameras
- Other T2 adapters on request*

DISPOSABLES

- PB.5245** Lens cleaning paper, 100 sheets per pack
- PB.5274** Isopropyl alcohol 99% (200 ml)
- PB.5275** Cleaning kit: lens cleaning fluid, lint free lens tissue, brush, air blower, cotton swabs

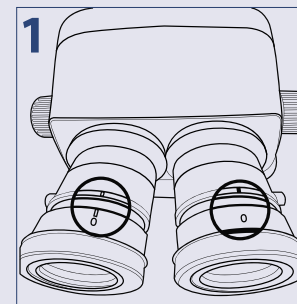


● SB.1903-B

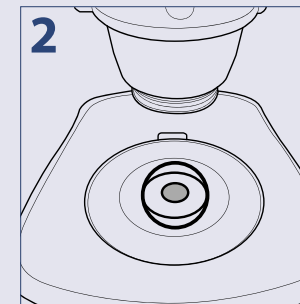
how to set up a stereo microscope

QUICK
INSTALLATION

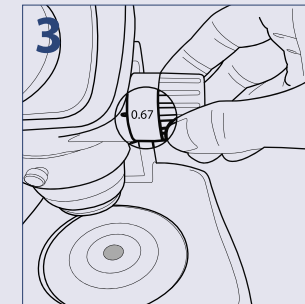
Setting up your stereo microscope properly is essential to getting parfocal images during the entire zoom range. It also prevents head aches, stressful eyes and fatigue. Below you will find a setup guide that will help get the best out of your microscope



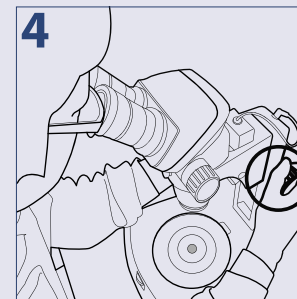
1 Turn the diopter adjustment rings of both eyepieces to position "0"



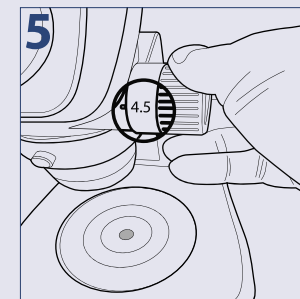
2 Put a specimen on the stage plate



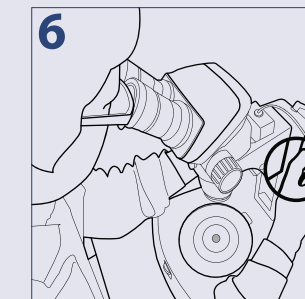
3 Turn the zoom adjustment knob to the lowest magnification



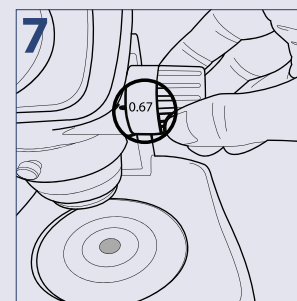
4 Rotate the focus adjustment knob to bring the specimen into focus



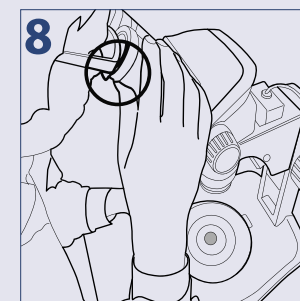
5 Turn the zoom adjustment knob to the highest magnification



6 Rotate the focus adjustment knob to bring the specimen into focus



7 Turn the zoom adjustment knob to the lowest magnification



8 Rotate the diopter adjustment rings of the left and right eyepiece to bring the specimen into focus

PLEASE NOTE

Put the zoom adjustment knob at the highest magnification again and check the image focusing. The diopter adjustment is complete when the image is accurately focused during zooming

If not, please repeat steps 3 to 8



nexiuszoom

the new standard in stereo microscopy



The NexusZoom stereo microscopes of Euromex enable examining your specimen with high-performance precision and they generate two- and three-dimensional images, which make them highly suitable for your demanding microscopy applications

These top level zoom microscopes are perfect for analyzing all kinds of material surfaces or to observe and prepare biological samples

STEREO MICROSCOPES

NexusZoom

FEATURED

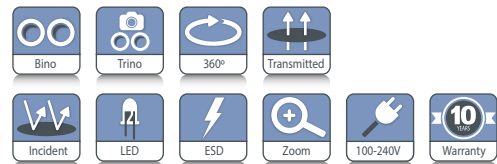
NexusZoom (EVO)

The NexusZoom and NexusZoom EVO stereo microscopes of Euromex allow you to examine your specimen with high precision, generating three-dimensional images, suitable for your highest demanding applications. These top level zoom microscopes are perfect for analyzing all kinds of material surfaces or observing and preparing biological samples

These stereo microscopes can be supplied with a large choice of stands, with or without LED illumination. Ideal for a wide variety of educational and life science applications. With additional lenses and objectives magnifications from 3.3 up to 220x can be achieved



● NZ.1903-S



NZ.1903-S / NZ.1703-S
339 (h) x 256 (w) x 311 mm (d) | 5.1 kg
NZ.1903-P / NZ.1703-P
299 (h) x 256 (w) x 311 mm (d) | 5.2 kg
For weight of other products see table

HIGHLIGHTS

- Binocular and trinocular heads with HWF 10x/22 mm or HWF 10x/23 mm eyepieces
- Zoom ratio 1 : 6.7, 6.7x to 45x or 1 : 8.4, 6.5x to 55x
- Ergonomic stands
- Double 3 W LED illuminations
- Configurations up to 220x magnification
- Large working distance (WD)
- 10 Years warranty



● NZ.1903-M

● NZ.1903-PG

SPECIFICATIONS

EYEPIECES

The standard NexusZoom is supplied with a pair of HWF 10x/22 mm eyepieces. The NexusZoom EVO is supplied with a pair of HWF 10x/23 mm eyepieces

HEAD

Binocular or trinocular heads with 45° inclined tubes. Both eyepieces with ± 5 diopter adjustments. Interpupillary distance adjustable between 54 mm and 75 mm. The trinocular head is supplied with a fixed light path beam splitter (50:50). The NexusZoom EVO models are now equipped with click-stops

OBJECTIVES

The standard NexusZoom is supplied with a 1:6.7 zoom objective with 0.67x to 4.5x magnifications, a field of view from 33 mm to 4.9 mm. WD 110 mm

The NexusZoom EVO is supplied with a 1:8.4 zoom objective with 0.65x to 5.5x magnifications, a field of view from 35.4 mm to 4.2 mm. WD 110 mm

All optics are anti-fungus treated and anti-reflection coated for maximum light throughput

AUXILIARY LENSES

For extra working distances the following auxiliary lenses are available for both the standard NexusZoom and NexusZoom EVO: 0.3x, 0.4x, 0.5x, 0.75x, 1.5x and 2.0x. For fields of view and working distances, see NexusZoom in chapter 6



● NZ.1902-S

● NZ.1902-P

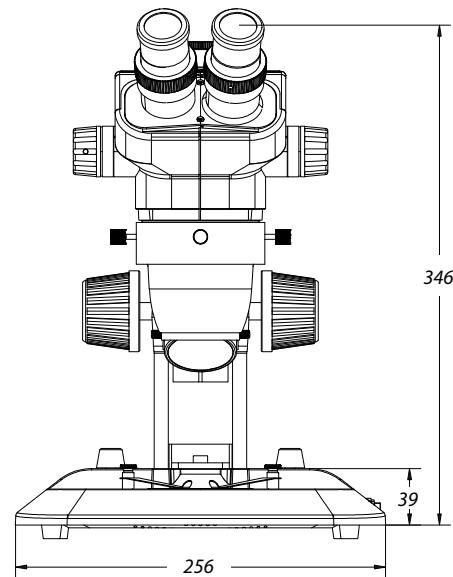
POLARIZATION

The NexiusZoom and NexiusZoom EVO can be supplied with an optional 360° rotatable circular stage with built-in polarization filter and/or an optional rotatable analyzer filter in mount to be screwed under the objective

STAND

- Ergonomic pillar or rack & pinion stand with 3 W incident and 3 W transmitted LED illuminations (-P and -S stands)
- Ergonomic pillar stand with two 3 W gooseneck type incident LED illuminations on each side and a 3 W transmitted LED illumination (-PG stand)
- Ergonomic pillar stand with rotating mirror and 3 W LED transmitted and incident illuminations (-M stand)
- Ergonomic universal or boom stands, without illumination (-U, -B and BC stands)
- Articulated arm stand for table mounting or with heavy base plate, both without head holder, without illumination (-A and -AP stands)

All pillar and rack & pinion stands are supplied with two object clamps. Alloy metal cast, hardened coating



STAGE

180 x 155mm X-Y mechanical stage with 76 x 55 mm translation stage and transparent glass plate for NexiusZoom, fixed on stage of microscope. Only available with new microscopes (due to fixing), so it has to be ordered with the purchase of a microscope (See picture: NZ.9505 in accessories)

ILLUMINATION

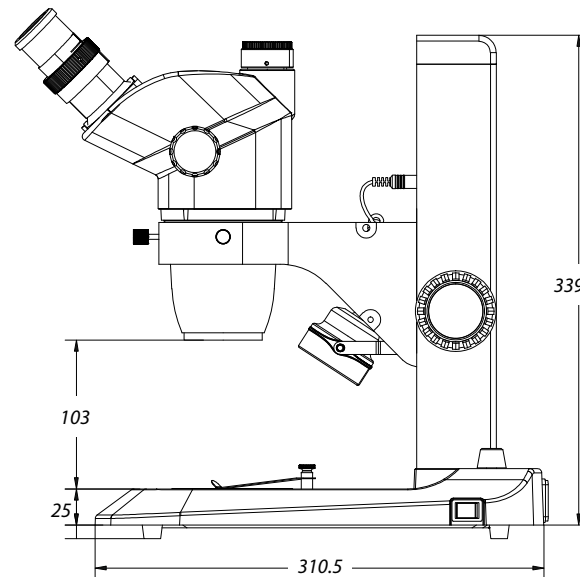
3 W transmitted and incident LED illuminators with internal power supply 100-240 V. Both illuminators can be used simultaneously and the light intensities can be adjusted separately. The universal single or double arm stands and the articulated stands can be equipped with the ring illuminators LE.1974 and LE.1973 with respectively 72 or 144 power LEDs controlled in segments, ideal for creating or lifting shades

PACKAGE CONTENT

Supplied with power cord, dust cover, a spare fuse and user manual. All packed in a polystyrene box



Check out the product video on YouTube and learn more about this microscope. YouTube channel: **Euromex Optics Group B.V.**



NEXIUSZOOM 0.67-4.5 (WF 10X/22MM)

MODELS	Bino	Trino	Pillar stand	Rack & pinion stand	Universal stand	Boom stand on heavy base plate	Boom stand on table clamp	Articulated arm stand on table clamp	Articulated arm stand on heavy base plate	Gooseneck dual LED	Mirror LED	Weight (kg)
NZ.1902-P	•		•									5.0
NZ.1902-PG	•		•							•		5.1
NZ.1902-M	•		•								•	4.9
NZ.1902-S	•			•								4.9
NZ.1902-U	•				•							15.6
NZ.1902-B	•					•						22.1
NZ.1902-BC	•						•					10.5
NZ.1902-A	•							•				8.6
NZ.1902-AP	•								•			20.7
NZ.1903-P		•	•									5.2
NZ.1903-PG		•	•							•		5.3
NZ.1903-M		•	•								•	5.1
NZ.1903-S		•		•								5.1
NZ.1903-U		•			•							15.7
NZ.1903-B		•				•						22.2
NZ.1903-BC		•					•					10.6
NZ.1903-A		•						•				8.7
NZ.1903-AP		•							•			20.8

NEXIUSZOOM EVO 0.65-5.5 (WF 10X/23MM)

MODELS	Bino	Trino	Pillar stand	Rack & pinion stand	Universal stand	Boom stand on heavy base plate	Boom stand on table clamp	Articulated arm stand on table clamp	Articulated arm stand on heavy base plate	Gooseneck dual LED	Mirror LED	Weight (kg)
NZ.1702-P	•		•									5.0
NZ.1702-PG	•		•							•		5.1
NZ.1702-M	•		•								•	4.9
NZ.1702-S	•			•								4.9
NZ.1702-U	•				•							15.6
NZ.1702-B	•					•						22.1
NZ.1702-BC	•						•					10.5
NZ.1702-A	•							•				8.6
NZ.1702-AP	•								•			20.7
NZ.1703-P		•	•									5.2
NZ.1703-PG		•	•							•		5.3
NZ.1703-M		•	•								•	5.1
NZ.1703-S		•		•								5.1
NZ.1703-U		•			•							15.7
NZ.1703-B		•				•						22.2
NZ.1703-BC		•					•					10.6
NZ.1703-A		•						•				8.7
NZ.1703-AP		•							•			20.8

The NexiusZoom EVO models are now equipped with click-stops



NZ.1902-BC

NZ.1902-U

NZ.1902-AP

NZ.1903-B

NZ.1902-A

ACCESSORIES AND SPARE PARTS

HEADS & EYEPIECES

- NZ.5302** NZ binocular head 0.67-4.5x*
 - NZ.5303** NZ trinocular head 0.67-4.5x*
 - NZ.5312** NZ EVO binocular head 0.65-5.5x*
 - NZ.5313** NZ EVO trinocular head 0.65-5.5x*
- * without head holder*

- NZ.6010** Pair of HWF 10x/22 mm eyepieces
- NZ.6010-C** HWF 10x/22 mm eyepiece only with crosshairs
- NZ.6010-CM** HWF 10x/22 mm eyepiece only with 10/100 micrometer and crosshairs
- NZ.6015** Pair of HWF 15x/16 mm eyepieces for NZ
- NZ.6020** Pair of HWF 20x/12 mm eyepieces for NZ
- NZ.6099** Pair of eyecups for NZ
- NZ.6110** HWF 10x/22 mm eyepiece with crosshairs and 10/100 micrometer for NZ
- NZ.6210** Pair of HWF 10x/23 mm eyepieces for NZ EVO
- NZ.6210-C** HWF 10x/22 mm eyepiece only with crosshairs for NZ EVO
- NZ.6210-CM** HWF 10x/22 mm eyepiece only with 10/100 micrometer and crosshairs for NZ EVO

AUXILIARY LENSES

- NZ.8903** Additional 0.3x lens for NZ. WD 287 mm. Only suitable for A, AP, U, B, BC and M stands
- NZ.8904** Additional 0.4x lens for NZ. WD 220 mm. Only suitable for P, PG, A, AP, U, B, BC and M stands
- NZ.8905** Additional 0.5x lens for NZ. WD 183 mm. Only suitable for P, PG, A, AP, U, B, BC and M stands
- NZ.8907** Additional 0.75x lens for NZ. WD 105 mm. Only suitable for P, PG, A, AP, U, B, BC and M stands
- NZ.8915** Additional 1.5x lens for NZ. WD 53 mm
- NZ.8920** Additional 2.0 lens for NZ. WD 34 mm

STANDS

- NZ.9000** Ergo pillar stand without illumination
- NZ.9005** Ergo pillar stand with adjustable transmitted 3 W LED illumination
- NZ.9010** Ergo rack & pinion stand with incident and transmitted 3 W LED illuminators
- NZ.9015** Ergo pillar stand with incident and transmitted 3 W LED illuminators
- NZ.9018** Ergonomic pillar stand with two 3 W gooseneck type incident LED illuminations on each side and a 3 W transmitted LED illumination
- NZ.9020** Universal one-arm stand without NZ head holder
- NZ.9025** Black universal stand with table clamp without NZ head holder
- NZ.9027** Black universal stand with heavy baseplate without NZ head holder
- NZ.9030** Universal double-arm boom stand without NZ head holder
- NZ.9032** Universal two-arm stand with table clamp without NZ head holder
- NZ.9042** Stand with rotating mirror and indirect transmitted LED illumination

NZ = NexiusZoom



NZ.9005

NZ.9000



NZ.8903

NZ.8904

NZ.8905

NZ.8907

NZ.8915

NZ.8920

HEAD HOLDERS

- NZ.9081** Head 76 mm holder for NZ and black universal stand NZ.9025/NZ.9027
- NZ.9090** NZ head holder for NZ.9020/9030/9032 pillar stands
- NZ.9095** NZ head holder with fine and coarse adjustment for NZ.9020/9030/9032 pillar stands. Only available with new microscopes



● NZ.9095

ILLUMINATION

- LE.5207** Multi-functional dual 3 W LED adjustable light source. Equipped with two flexible gooseneck arms with LED illuminator
- LE.5212** Euromex illumination station with two independently controlled goosenecks, a ring light and a transmitted stage illuminator (see photos on opposite page)
- LE.5260** Interchangeable high power (standard) white 6,500K light guide for NZ.9018/LE.5207/LE.5212, 1 pc
- LE.5261** Interchangeable high power 365 nm flexible arm for NZ.9018/LE.5207/LE.5212, 1 pc
- LE.5262** Interchangeable high power 395 nm flexible arm for NZ.9018/LE.5207/LE.5212, 1 pc
- LE.5263** Interchangeable high power 420 nm flexible arm for NZ.9018/LE.5207/LE.5212, 1 pc
- LE.1974** Ring illuminator with 72 LEDs with adjustable light intensity. External power supply 110-240 Vac / 12 Vdc (50/60 Hz). With segment controller. Brightness of 20,000 Lux at 100 mm distance and color temperature of 6,500 K. Mounting for stereo head with diameter from 25 to 61 mm

- LE.1973** Ring illuminator with 144 LEDs with adjustable light intensity. External power supply 100-240 Vac / 12 Vdc (50/60 Hz). With segment controller. Brightness of 23,000 Lux at 100 mm distance and color temperature of 6,500 K. Mounting for stereo head with diameter from 25 to 61 mm
 - LE.5210** Euromex cold light illuminator EK-1, 100 W halogen. 110 V and 230 V models available
 - LE.5211** Euromex cold light illuminator, 150 W halogen. 110 V and 230 V models available
 - LE.5211-LED** Euromex cold light illuminator LED, 30 W high power LED
 - LE.5214** Dual arm light conductor, gooseneck self-sustaining, 50 cm long, Ø 4 mm core
 - LE.5215** Triple arm light conductor, gooseneck self-sustaining, 50 cm long, Ø 4 mm core
 - LE.5222** Focusing head suitable for focusing lens LE.5214 and LE.5215 needs LE.5224
 - LE.5224** Aspherical focusing lens for mounting in LE.5222
- More illumination options, see chapter 11*

STAGES

- NZ.9505** Mechanical 180 x 155 mm X-Y stage with 75 x 55 mm translation and transparent glass plate
- NZ.9524** 360° rotatable circular stage with built-in polarization filter for NZ
- NZ.9525** 360° rotatable analyzer in mount to be screwed under head of NZ
- AE.1960** Circular positioning stage
- AE.5168-NZ** Heating stage for NZ microscope stage



● NZ.9505

CAMERA ACCESSORIES

- NZ.9833** C-mount adapter with 0.33x lens for 1/3 inch cameras
- NZ.9850** C-mount adapter with 0.5x lens for 1/2 inch cameras
- AE.5130** Universal SLR adapter with built-in 2x lens for standard 23.2 mm tube. Needs T2 adapter
- AE.5025** T2 adapter for Nikon D SLR digital camera
- AE.5040** T2 adapter for Canon EOS SLR digital camera

MISCELLANEOUS

- NZ.8950** Protection glass window for NZ
- NZ.9520** Polarization kit for NZ: 360° rotatable circular stage with built-in polarization filter (NZ.9524) + analyzer in mount to be screwed under head (NZ.9525)
- NZ.9040** Darkfield attachment for NZ
- NZ.9570** Pair object clamps for standard stage
- NZ.9572** Adjustable GEM object clamp for P, PL and S stand of NZ
- NZ.9950** Standard plexiglass object plate, opaque, with black border
- NZ.9956** Pair of object stage plates (black/white) Ø 90 mm
- NZ.9958** Standard glass object plate, opaque
- NZ.9983-R** 3 W LED replacement unit for NZ, incident illumination
- NZ.9983** 3 W LED replacement unit for NZ, transmitted illumination
- AE.1112** Micrometer 76 x 26 mm slide, 50 mm/500 divisions, 100 µm per division

DISPOSABLES

- PB.5245** Lens cleaning paper, 100 sheets per pack
- PB.5274** Iso propyl alcohol 99%, 200 ml
- PB.5275** Cleaning kit: lens fluid, lint free lens tissue/paper, brush, air blower, cotton swabs
- PB.5276** Microscope maintenance and servicing kit, 16 pcs: cleaning brush, 6 pcs screwdriver set, air blower, 3 pcs Allen key 1.5, 2, 2.5 mm, lens cleaning fluid 20 ml, cleaning cloth 140 x 140 mm, 100 pcs lens tissue sheets, tube of maintenance grease, 10 ml bottle of oil, packed in a toolbox

NZ = NexiusZoom

WD = working distance



● The LE.5212 in two different configurations



STEREO MICROSCOPES



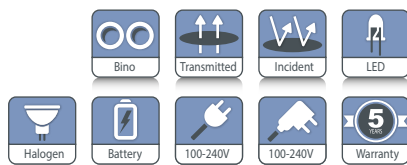
AP series

The microscopes of the AP series are designed specifically for educational purposes. The models are compact, robust and come with dual magnification revolvers and interchangeable objectives mounted in sliders



● AP-5 (50.920)

AP-1
250 (h) x 120 (w) x 170 mm (d) 1.4 kg
AP-2 / AP-4
220 (h) x 120 (w) x 170 mm (d) 2.0 kg
AP-5
286 (h) x 120 (w) x 190 mm (d) 2.5 kg
AP-7 / AP-7 LED / AP-8 / AP-8 LED
286 (h) x 120 (w) x 190 mm (d) 2.4 kg



HIGHLIGHTS

- Small and robust
- Binocular heads with vertical or 45° inclined tubes
- Secured WF 10x/20 mm eyepieces
- Magnifications from 10 to 120x
- Pillar stands with and without illumination
- LED illumination for cordless use

SPECIFICATIONS

EYEPIECES

Pair of secured wide field eyepieces WF 10x/20 mm. Supplied with eyecups

HEAD

Binocular head with vertical or 45° inclined tubes. One tube is supplied with diopter adjustment. Interpupillary distance from 55 to 75 mm

OBJECTIVES

- The AP-1, AP-2, AP-4 and AP-5 models come with a 2x magnification objective in slider. This objective is interchangeable with optional 1x, 3x, 4x and 6x magnification objectives
- The AP-7 and AP-7 LED models are supplied with revolving 1x/3x objectives for total magnification of 10 and 30x with fields of view from 20 to 6.7 mm
- The AP-8 and AP-8 LED models are supplied with revolving 2x/4x objectives for total magnification of 20 and 40x with fields of view from 10 to 5 mm

All optics are anti-fungus treated and anti-reflection coated for maximum light throughput



● AP-1 (50.890)

STAND

Pillar stand with a 40 mm coarse adjustment. Supplied with a black/white object plate and two object clamps

ILLUMINATION

- The AP-1 is supplied without illumination
- The AP-2 and AP-4 are supplied with an incident 10 W 12 V tungsten illumination and internal power supply
- The AP-5, AP-7 and AP-8 models are supplied with a transmitted and incident 10W 12V tungsten illumination and internal power supply
- The AP-7 LED and AP-8 LED models are supplied with a transmitted and incident LED illumination with three rechargeable batteries for a maximum of 35 hours cordless operation. With external mains adapter/charger

CAMERAS

Euromex offers a wide range of industrial and education grade cameras, see chapter 3 (Digital Solutions). The camera replaces one of the eyepieces

PACKAGE CONTENT

Supplied with power cord/adaptor, dust cover, a spare fuse and user manual. All packed in a polystyrene box



● AP-2 (50.900)



● AP-4 (50.915)



● AP-8-LED (50.931)

MODELS	Vertical head	45° head	Interchangeable 2x objective	1x/3x objective	2x/4x objective	Transmitted tungsten illumination	Incident tungsten illumination	Transmitted LED illumination	Incident LED illumination
50.890 AP-1	•		•						
50.900 AP-2	•		•				•		
50.915 AP-4		•	•				•		
50.920 AP-5		•	•			•	•		
50.925 AP-7		•		•		•	•		
50.926 AP-7 LED		•		•				•	•
50.930 AP-8		•			•	•	•		
50.931 AP-8 LED		•			•			•	•

ACCESSORIES AND SPARE PARTS

EYEPIECES

- 50.805** Pair of wide field eyepieces WF 5x/22 mm
- 50.810** Pair of wide field eyepieces WF 10x/20 mm
- 50.811** Micrometer eyepiece WF 10x/20 mm, 10 mm/100
- 50.815** Pair of wide field eyepieces WF 15x/16 mm
- 50.820** Pair of wide field eyepieces WF 20x/10 mm
- 50.840** Pair of eyecups

Suitable for AP-1, AP-2, AP-4 and AP-5:

OBJECTIVES

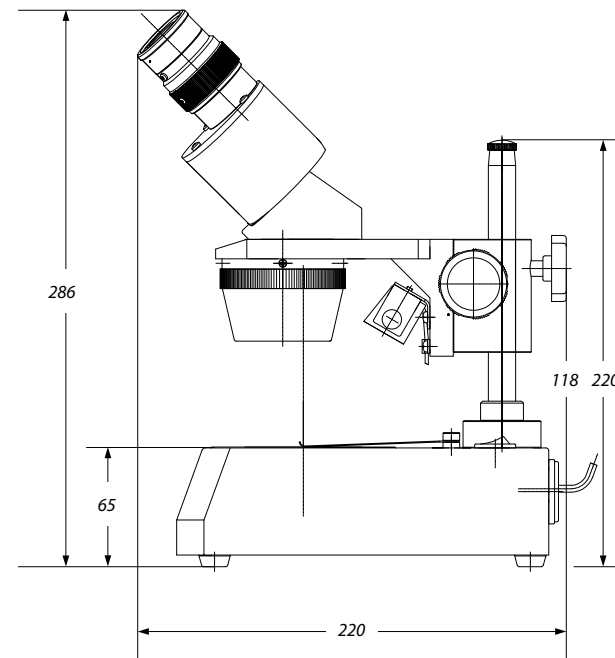
- 50.831** Paired achromatic objectives 1x. WD 57 mm
- 50.832** Paired achromatic objectives 2x. WD 80 mm
- 50.833** Paired achromatic objectives 3x. WD 61 mm
- 50.834** Paired achromatic objectives 4x. WD 57 mm
- 50.836** Paired achromatic objectives 6x. WD 40 mm

MISCELLANEOUS

- 50.871** Black/white stage plate Ø 94 mm for AP-7, AP-7 LED, AP-8 and AP-8 LED models
- 50.873** Glass stage plate Ø 94 mm for AP-7, AP-7 LED, AP-8 and AP-8 LED models
- 50.874** Black/white stage plate Ø 60 mm (AP-1, 2, 3 and 4)
- 50.875** Adjustable GEM object clamp for AP series
- 50.876** Darkfield attachment Ø 94 mm for AP-7, AP-7 LED, AP-8 and AP-8 LED models
- 50.884** Spare bulb 10 W 12 V for AP series
- 50.975** External 100-240 V mains adapter
- AE.1112** Micrometer slide, 50 mm/50 divisions

DISPOSABLES

- PB.5245** Lens cleaning paper, 100 sheets per pack
- PB.5274** Isopropyl alcohol 99% (200 ml)
- PB.5275** Cleaning kit: lens cleaning fluid, lint free lens tissue, brush, air blower and cotton swabs



● Transparent stage plate for transmitted illumination

education

digital solutions



digital solutions



Get ready to discover the digital world of microscopy with the newest Euromex digital educational products. The broad Euromex product range of digital cameras and digital microscopes with built-in camera offer the best matching solutions for your specific application needs

Euromex digital educational products incorporate all the latest available technology in this field, such as WiFi, HDMI, CMOS, HD-CMOS and sCMOS

- DIGITAL MICROSCOPES • PAGE 74
- MACROZOOMS • PAGE 86
- USB CAMERAS • PAGE 88
- HD CAMERAS • PAGE 92
- WiFi CAMERA • PAGE 96
- COOLED CAMERA • PAGE 97
- TABLET CAMERAS • PAGE 98
- SOFTWARE • PAGE 102
- ADAPTERS • PAGE 104

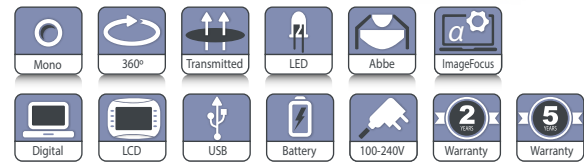
DIGITAL MICROSCOPES



3 EDUCATION DIGITAL SOLUTIONS



● MB.1055



MicroBlue digital microscopes with built-in 5.0 MP USB-2.0 camera

The modern MicroBlue is an entry-level microscope, especially appreciated when budgets are limited

There are two versions of the digital MicroBlue; one with a built-in digital camera, the other with an LCD screen

Available with plain or integrated mechanical stage. All models are equipped with 35 mm achromatic objectives

	MB.1055
	320 (h) x 151 (w) x 202 mm (d) 2.4 kg
	MB.1051-LCD
	378 (h) x 179 (w) x 202 mm (d) 2.48 kg

HIGHLIGHTS

- Economic microscopes for education
- Built-in digital 5.0 MP USB-2.0 camera
- 7 inch LCD screen
- Ergonomic carrying grip
- 5 Years warranty (2 years on camera)

SPECIFICATIONS

CAMERA

- All the MicroBlue built-in digital camera microscopes are equipped with a 5.0 MP 1/2.8" CMOS USB-2.0 camera
- A maximum resolution of 2560 x 1920, 24 bits color depth, up to 30 frames per second
- Supplied with ImageFocus Plus software, USB-2.0 cable, an 8 MB SD memory card and a micrometer 1mm/100 slide
- Warranty for the camera is two years

SOFTWARE

- The capture and analysis ImageFocus Plus software allows to save images in .jpg, .tif, .bmp or .dicom formats as well as .avi format videos
- Measurements and annotations can be done on live or captured images
- Compatible with Windows 7, 8 and 10, both 32 and 64 bits configurations. A Mac OS version is also available
- Free updates can be downloaded on our website

For full microscope specifications and accessories see chapter 1: Biological microscopes

MODELS	Digital LCD	Digital mono	Maximum objectives	4/10/540x objectives	S60x objective	S100x objective	Mechanical X-Y stage	Abbe condenser	LED	NeoLED™	Batteries
MB.1001-LCD	•		3	•					•		•
MB.1051-LCD	•		4	•			•	•	•		•
MB.1055		•	4	•			•	•		•	•
MB.1655		•	4	•	•		•	•		•	•
MB.1155		•	4	•		•	•	•		•	•



● The LCD-head

LCD SCREEN

All the MicroBlue LCD microscopes are equipped with 7" IPS LCD screen

- Screen resolution 1920 x 1080 @ 30 fp
- Save images and videos directly to micro SD card
- Image resolution upto 1844 x 1080 in .JPEG format
- Video resolution 1280 x 720 .AVI format
- Basic measurement function (line) with calibration. Calibration slide available as option
- Warranty for the screen is 2 years

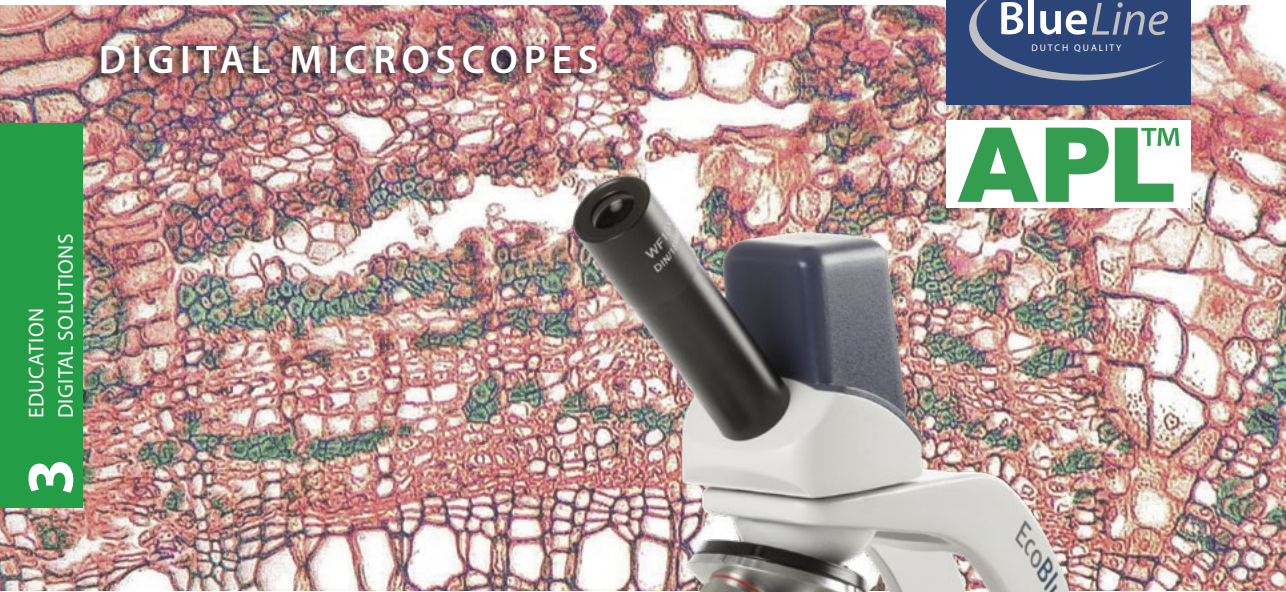
3 EDUCATION DIGITAL SOLUTIONS

DIGITAL MICROSCOPES

BlueLine
DUTCH QUALITY

APL™

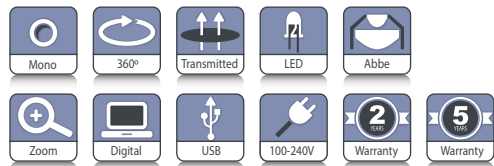
3 EDUCATION
DIGITAL SOLUTIONS



EcoBlue

digital microscopes
with built-in
5.0 MP USB-2.0 camera

Monocular microscopes are equipped with WF 10x/18mm eyepieces, a quadruple nosepiece, achromatic objectives, a 123 x 119 mm stage with two clamps, Abbe condenser and a 1 W LED illumination with integrated 100-240 V power supply. The EcoBlue microscopes can optionally be equipped with a 50 x 30 mm X-Y mechanical stage



● EC.1005

EC.1105 / EC.1605
355 (h) x 270 (w) x 220 mm (d) | 2.6 kg

HIGHLIGHTS

- Economic microscopes for education
- Monocular and binocular models
- Built-in digital 5.0 MP USB-2.0 camera
- LED illumination
- Built-in 100-240 V power supply
- Ergonomic carrying grip
- 5 Years warranty (2 years on camera)



3 EDUCATION
DIGITAL SOLUTIONS

SPECIFICATIONS

CAMERA

All the EcoBlue digital microscopes are provided with a 5.0 MP 1/2.8" CMOS USB-2.0 camera, a maximum of resolution 2560 x 1920, 24 bits color depth, up to 30 frames per second. Supplied with the ImageFocus Plus software, USB-2.0 cable and a micrometer 1mm/100 slide

- EcoBlue supplied with achromatic objectives

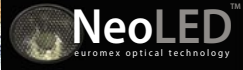
SOFTWARE

The capture and analysis ImageFocus Plus software allows you to save images in .jpg, .tif, .bmp or .dicom formats as well as .avi format videos. Measurements and annotations can be done on live or captured images. Compatible with Windows 7, 8 and 10, both 32 and 64 bits configurations. A Mac OS version is also available. Free updates can be downloaded from our website

For full microscope specifications and accessories see chapter 1: Biological microscopes

MODELS	Monocular	Binocular	4x, 10x, S40x objectives	S60x objective	S100x objective	Mechanical X-Y stage	LED
EC.1005	•		•				•
EC.1105	•		•		•		•
EC.1605	•		•	•			•
EC.1007		•	•				•
EC.1107		•	•		•		•
EC.1607		•	•	•			•
EC.1055	•		•			•	•
EC.1155	•		•		•	•	•
EC.1655	•		•	•		•	•
EC.1057		•	•			•	•
EC.1157		•	•		•	•	•
EC.1657		•	•	•		•	•

DIGITAL MICROSCOPES



● BB.4225

BioBlue

digital microscopes with built-in 5.0 MP USB-2.0 camera

The WF 10x/18 eyepieces and the semi plan achromatic corrected 45 mm objectives of the BioBlue models generate a crisp high-resolution image

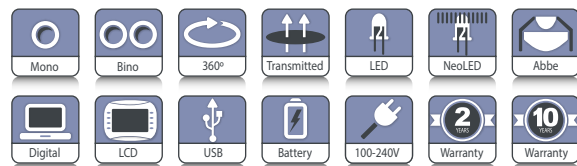
The 120 x 120 mm plain stage and 130 x 130 mm stage with double layered 70 x 28 mm mechanical X-Y stage enable precise and stable positioning of the specimen. With Abbe condenser, NeoLED™ or LED illumination and with built-in rechargeable batteries for corded and cordless use

BB.4225 / BB.4245 / BB.4255

340 (h) x 155 (w) x 230 mm (d) | 3.4 kg

BB.4267 / BB.4269

360 (h) x 155 (w) x 230 mm (d) | 4.1 kg



HIGHLIGHTS

- Monocular and binocular models
- Models with a 7" LCD screen
- Reserved quadruple nosepiece for semi plan objectives
- Built-in digital 5.0 MP USB-2.0 camera
- Integrated mechanical stage
- LED and NeoLED™ illumination
- Cordless operation
- 10 Years warranty (2 years on camera)

SPECIFICATIONS

CAMERA

All the BioBlue digital microscopes are equipped with a 5.0 MP 1/2.8" CMOS USB-2.0 camera, a maximum of resolution 2560 x 1920, 24 bits color depth, up to 30 frames per second. Supplied with ImageFocus Plus software, USB-2.0 cable and a micrometer 1mm/100 slide

SOFTWARE

The capture and analysis ImageFocus Plus software allows to save images in .jpg, .tif, .bmp or .dicom formats as well as .avi format videos. Measurements and annotations can be done on live or captured images. Compatible with Windows 7, 8 and 10, both 32 and 64 bits configurations. A Mac OS version is also available. Free updates can be downloaded from our website

MODELS WITH LCD SCREEN

The BioBlue is also available with a 7" LCD screen, with all the features of the regular BioBlue. This screen allows live



● BB.4220-LCD

viewing, saving images and videos directly to a micro SD card and even has a basic line measurement function included. The HD LCD screen can only be operated as a stand alone

Screen resolution 1920 x 1080 @ 30 fps, image resolution upto 1844 x 1080 in JPG and video resolution 1280 x 720 AVI format
For full microscope specifications and accessories see chapter 1: Biological microscopes



● The digital heads

MODELS	Mono	Bino	LCD	4/10/40x SMP objectives	Semi plan S60x objective	Semi plan S100x objective	Integrated X-Y stage	1 W LED	NeoLED	Weight (kg)
BB.4205	•			•				•		2.9
BB.4225	•			•			•	•		3.4
BB.4245	•			•	•		•	•		3.4
BB.4255	•			•		•	•	•		3.4
BB.4267		•		•		•	•		•	4.1
BB.4269		•		•			•		•	4.1
BB.4200-LCD			•	•				•		2.9
BB.4220-LCD			•	•			•	•		3.4

DIGITAL MICROSCOPES

bscope®

NeoLED™
euromex optical technology

3 EDUCATION DIGITAL SOLUTIONS



bScope®

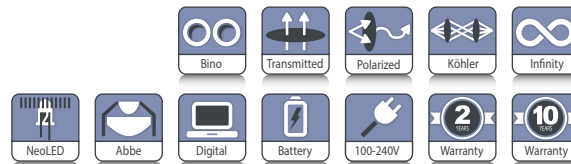
digital microscopes
with built-in
5.0 MP USB-2.0 camera

The versatile and evolutive bScope® microscopes are well-equipped and intensively used in universities, small to mid-sized laboratories and for veterinary applications

The bScope® comes with WF 10x/20 mm eyepieces and is available in binocular models. Complete with E-plan IOS and Plan IOS infinity corrected objectives for brightfield observations

● BS.1157-PLi

BS.1157-PLi
409 (h) x 195 (w) x 235 (d) | 7.1 kg



HIGHLIGHTS

- Binocular model
- Integrated 5.0 MP CMOS color USB.2 camera
- 2592 x 1944 pixels
- 7 frames per second (2592 x 1944 pixels)
- 27 frames per second (1280 x 960 pixels)
- 10 Years warranty (2 years on camera)

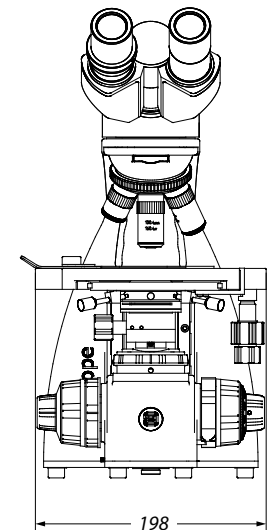
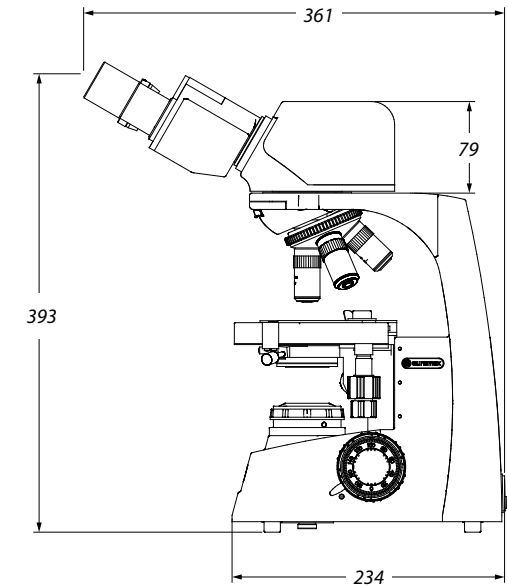
SPECIFICATIONS

CAMERA

The digital bScope microscopes are equipped with a 5.0 MP 1/2.5 inch CMOS USB-2.0 camera, 24 bits color depth, 7 frames per second (2592 x 1944 pixels) or 27 frames per second (1280 x 960 pixels). Dynamic range is 76 db and signal/noise ratio 41 db. Supplied with ImageFocus Alpha software, USB-2.0 cable and a micrometer 1mm/100 calibration slide

SOFTWARE

The capture and analysis ImageFocus Alpha software allows to save images in .jpg, .tif, .bmp or .dicom formats as well as .avi format videos. Measurements and annotations can be done on live or captured images. Compatible with Windows 7, 8 and 10, both 32 and 64 bits configurations. A Mac OS version is also available. Free updates can be downloaded from our website. For full microscope specifications and accessories see chapter 1: Biological microscopes



3 EDUCATION DIGITAL SOLUTIONS

MODELS

	binocular head	HWF 10x/20 mm eyepieces	Quintuple nosepiece E-plan IOS 4/10/S40/S100x	Quintuple nosepiece plan IOS 4/10/S40/S100x	Köhler NeoLED™
BS.1157-EPLi	•	•	•		•
BS.1157-PLi	•	•		•	•

All models can optionally be supplied with three AA rechargeable batteries

DIGITAL MICROSCOPES



EduBlue

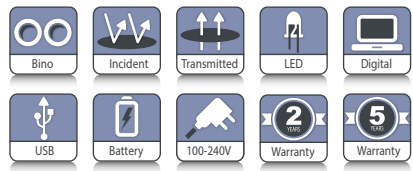
digital microscopes with built-in 5.0 MP USB-2.0 camera

The EduBlue stereo microscopes are designed specifically for educational purposes and are equipped with WF 10x/20 mm eyepieces, a revolving nosepiece with double or triple magnification objectives

● ED.1505-S



With transmitted and incident 1 W LED illuminations, 60 mm working distance. With three internal rechargeable batteries for corded and cordless operation. Supplied with an external power supply



ED.1305-S / ED.1405-S / ED.1505-S / ED.1805-S
260 (h) x 175 (w) x 220 mm (d) | 2.4 kg



● Triple magnification

HIGHLIGHTS

- Economical binocular models
- Dual and triple magnification objectives
- Cordless operation
- Built-in digital 5.0 MP USB-2.0 camera
- LED illuminators
- Ergonomic carrying grip
- 5 Years warranty (2 years on camera)

SPECIFICATIONS

CAMERA

All the EduBlue digital microscopes are provided with a 5.0 MP 1/2.8" CMOS USB-2.0 camera, a maximum of resolution 2560 x 1920, 24 bits color depth, up to 30 frames per second. Supplied with the ImageFocus Plus software, USB-2.0 cable and a micrometer 1mm/100 slide

SOFTWARE

The capture and analysis ImageFocus Plus software allows to save images in .jpg, .tif, .bmp or .dicom formats as well as .avi format videos. Measurements and annotations can be done on live or captured images. Compatible with Windows 7, 8 and 10, both 32 and 64 bits configurations. A Mac OS version is also available. Free updates can be downloaded from our website

For full microscope specifications and accessories see chapter 2: Stereo microscopes

MODELS	Binocular	1x/ 3x objectives	2x/ 4x objectives	1x/ 2x/ 3x objectives	1x/ 2x/ 4x objectives	Rack & pinion stand
ED.1305-S	•	•				•
ED.1405-S	•		•			•
ED.1505-S	•			•		•
ED.1805-S	•				•	•

DIGITAL MICROSCOPES

BlueLine
DUTCH QUALITY

APL™



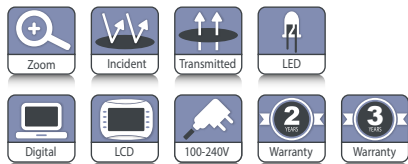
EduBlue LCD

digital microscope
with built-in
2.0 MP camera

The EduBlue LCD microscope is built around one 1 to 4 times zoom objective and enables observation of all kinds of objects directly on a 9" LCD screen. These kinds of microscopes are well-suited for education

The EduBlue LCD is equipped with a built-in 2 MP high definition CMOS camera with 1920 x 1080 pixels

● ED.3000



ED.3000
425/475 (h) x 180 (w) x 230 mm (d) | 2.3 kg



● Adjustable screen

SPECIFICATIONS

CENTRAL ZOOM OBJECTIVE

The EduBlue LCD ED.3000 features a single optical zoom objective with a 1 to 4x zoom magnification. Zoom adjustments engravings on 1, 1.5, 2, 3 and 5x. The working distance is 91 mm. A digital zoom up to 10x is available within the software

STAND

The central Zoom Objective with attached screen and LED ring light is mounted on a rack and pinion system that sits on a 30 x 180 mm metal stand

ILLUMINATION

Two types of illumination are available;

- An integrated 21 LED incident ring light illumination (5.500 K) with five intensity positions
- A 7 LED transmitted illumination (5.785 K) with two intensity positions, integrated in the base

HIGHLIGHTS

- MonoZoom stand-alone digital microscope
- Zoom 1x up to 4x
- 91 mm working distance
- Built-in 21 LED incident ring light, five intensity positions
- Built-in 7 LED transmitted, two intensity positions
- Built-in 2 MP HD camera
- HD 9-inch screen
- Removable 8 GB SD card
- Metal stand
- 3 years warranty (2 years on camera)

BUILT-IN CAMERA

Built-in HD 2 MP CMOS high speed camera with attached 9" screen. There is one USB port for a max. 16 GB SD storage card for captured images. The operator can take and save images to the SD card by pressing on a capture button at the left side of the screen. Images are saved in the .jpg format and videos are saved in .avi format

BUILT-IN SOFTWARE

The built-in on screen software is driven by the supplied computer mouse and features functions such as Capture image, Freeze image, Automatic white balance, Automatic exposition, File manager, Grids. Also camera settings such as Exposure time, Gain, Saturation, Contrast, Sharpness and HDR

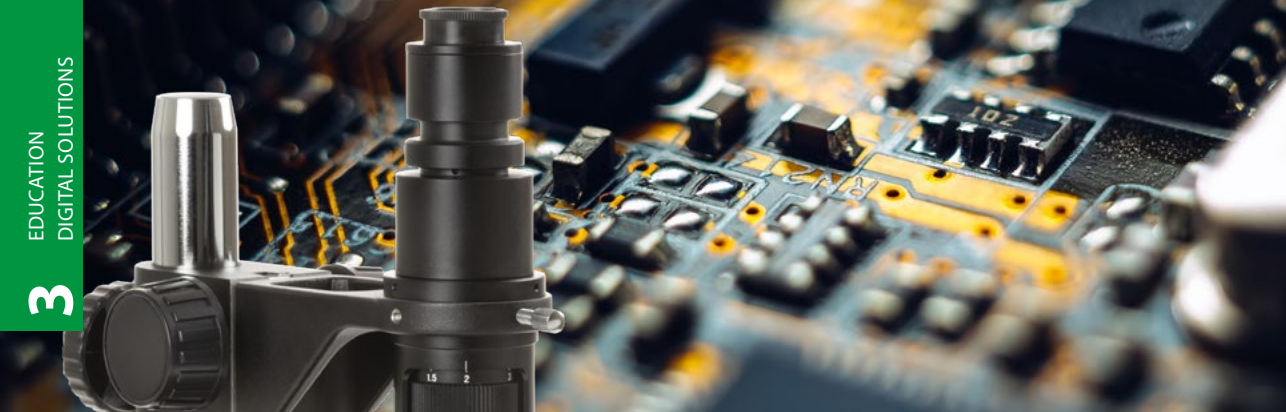
PACKAGE CONTENT

Supplied with 16 GB SD card, black/white object plate, a glass transparent object plate and two external 12V / 3.3 A power supplies

MACROZOOMS

MZ series

3 EDUCATION DIGITAL SOLUTIONS



MZ.4500

macrozoom

The high-end MacroZoom is built around one 0.7 to 4.5 times optical zoom objective and must be used in combination with C-mount types of cameras with a HD screens or computer screens.

With a working distance of 105 mm it is highly suitable for repairs, tooling engineers and visual inspections

A standard heavy metal base makes the whole system very stable for adding all kinds of illumination systems and camera systems

● MZ.4500



MZ.4500
31.3 (h) 32 (w) 28.5mm (d) | 3.06 kg



HIGHLIGHTS

- Stand-alone
- Zoom semi-apochromatic objective
- Zoom up to 0.7x to 4.5x
- C-mount with 0.4x objective
- 105 mm working distance
- Without illumination
- Metal stand
- 3 years warranty



SPECIFICATIONS

CENTRAL ZOOM OBJECTIVE

The MacroZoom MZ.4500 features a single optical zoom objective with a 0.7x to 4.5x zoom magnification. Zoom adjustments engravings on 1, 1.5, 2, 3 and 4.5x. The working distance is 105 mm

STAND

The MacroZoom is mounted on a 230 mm height pillar (Ø 32 mm) and holder (Ø 39/50 mm) that sits on a metal 320 x 260 x 16/25 mm metal stand

CAMERA SYSTEMS

Any of our digital C-mount cameras (in this chapter) can be used together with the MacroZoom

PACKAGING

Supplied with dust cover and packed in styrofoam



● The MZ.4500 in combination with the VC.3036-HDS

3 EDUCATION DIGITAL SOLUTIONS

USB CAMERAS

CAMERA FOR EDUCATION



USB CAMERAS

CAMERAS FOR EDUCATION



● CMEX-1

CMEX entry level USB-2.0 cameras with CMOS sensor

The CMEX-1 is equipped with a CMOS sensor. Supplied with ImageFocus 4 software

Besides capturing images and videos, the software allows measurements on still and live images and annotations on captured images. Compatible with Windows 7, 8 and 10, both 32 and 64 bits configurations. A Mac OS Light version is also available for capturing images only



MODEL	Number of pixels (MP)	Sensor	Pixels size (µm)	Resolutions	Max. frames (p/sec)	Grayscale conversion	Color rendering	Signal/ Noise(db)	Dynamic (db)	Sensitivity V/lux-sec (at 550 nm)	Product number
CMEX-1	1.3	1/2.5" CMOS	2.2 x 2.2	1272 x 952 632 x 472	15 30	10 bits	24 bits	55	72	1.3	DC.1300c

The CMEX-1 (DC.1300c) camera is supplied with a 0.45x C-mount objective

CMEX USB-2.0 cameras with fast CMOS sensor

The CMEX-2f, CMEX-5f and CMEX-12f are equipped with a fast CMOS sensor. The CMEX cameras are equipped with USB-2.0 data interface and supplied with ImageFocus Plus software

Besides capturing images and videos, the software allows measurements on still and live images and annotations on captured images. Compatible with Windows 7, 8 and 10, both 32 and 64 bits configurations. A Mac OS version is also available. Free updates can be downloaded from our website

MODELS	Number of pixels (MP)	Sensor	Pixels size (µm)	Resolutions	Max. frames (p/sec)	Grayscale conversion	Color rendering	Dynamic (db)	Sensitivity V/lux-sec (at 550 nm)	Product number
CMEX-2f	2.0	1/2.9" CMOS	2.8 x 2.8	1920 x 1080	30	8 bits	24 bits	72	0.51	DC.2000f
CMEX-5f	5.0	1/2.8" CMOS	2.0 x 2.0	2560 x 1920 1600 x 1200	30 50	8 bits	24 bits	72	2.0	DC.5000f
CMEX-12f	12.0	1/2.3" CMOS	1.33 x 1.33	4000 x 3000 2592 x 1944	15 30	8 bits	24 bits	60	1.5	DC.12000f

The CMEX cameras are supplied with USB-2.0 cable, 30.0 and 30.5 mm to 23.2 mm conversion adapters for use with stereo microscopes and a 1 mm/100 (10 µm/division) calibration slide. The cameras are supplied with a 0.45x C-mount objective

USB CAMERAS

ADVANCED
CAMERAS FOR
EDUCATION

FEATURED

USB CAMERAS

SCIENTIFIC
GRADE CAMERAS
FOR EDUCATION

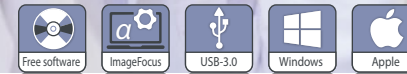
FEATURED

EDUCATION
DIGITAL SOLUTIONS

EDUCATION
DIGITAL SOLUTIONS

3

3



● CMEX-18 Pro

● sCMEX

Advanced CMEX USB-3.0 cameras with CMOS sensor

The CMEX-3 Pro, -5 Pro, -10 Pro and -18 Pro cameras are equipped with a 3.1, 5.1, 10 or 18 MP CMOS sensor with 12 bits grayscale conversion and a 24 bits color rendering. These cameras are equipped with a USB-3.0 data interface enabling fast frame rate and are supplied with ImageFocus Alpha software

Besides capturing images and videos, the software allows measurements on still and live images and annotations on captured images. Compatible with Windows 7, 8 and 10, both 32 and 64 bits configurations. A 2 GB RAM 2.8 GHz computer and 17 inch display is recommended. A Mac OS version is available. Free updates can be downloaded from our website

MODELS	Sensor	Sensor size (inch)	Pixels size (µm)	Exposure time	Resolutions	Max. frames (p/sec)	Signal/ Noise (db)	Dynamic (db)	Sensitivity V/lux-sec	Product number
CMEX-3 Pro	CMOS	1/3"	2.2 x 2.2	1 ms ~ 2000 ms	2048 x 1534 1024 x 770	28 53	39	100	1.9	DC.3000-PRO
CMEX-5 Pro	CMOS	1/2.5"	2.2 x 2.2	1 ms ~ 2000 ms	2560 x 1922 1270 x 960 640 x 480	14 39 100	39	68.	1.76	DC.5000-PRO
CMEX-10 Pro	CMOS	1/2.3"	1.67 x 1.67	1 ms ~ 2000 ms	3584 x 2746 1792 x 1372	8 25	35.5	63.5	0.31	DC. 10000-PRO
CMEX-18 Pro	CMOS	1/2.3"	1.25 x 1.25	1 ms ~ 2000 ms	4912 x 3684 2456 x 1842 1228 x 922	6 18 32	42	65	1.3	DC. 18000-PRO

The CMEX-3 Pro, -5 Pro, -10 Pro and -18 Pro cameras are supplied with USB-3.0 cable, 30.0 and 30.5 mm adapters to use with stereo microscopes, 1 mm/100 (10 µm/division) calibration slide. The CMEX-5 Pro, -10 Pro and -18 Pro are supplied with a 0.5x C-mount objective. The CMEX-3 Pro is supplied with a 0.37x C-mount objective

sCMEX USB-3.0 cameras with scientific grade sCMOS sensor

The sCMEX-3, sCMEX-6 and sCMEX-20 cameras are equipped with a scientific grade back illuminated Sony sCMOS sensor with 16 bits grayscale conversion and an outstanding 36 bits color rendering. Suitable for brightfield, darkfield and fluorescence. The sCMEX cameras are equipped with a USB-3.0 data interface and supplied with ImageFocus Alpha software

Besides capturing images and videos, the software allows measurements on still and live images and annotations on captured images. Compatible with Windows 7, 8 and 10, both 32 and 64 bits configurations. Also compatible with Mac OS. PC requirements: Intel Core2 2.8 GHz or higher or equivalent, 2 GB memory, USB-3.0 port, 17 inch display. Free updates can be downloaded from our website

MODELS	Number of pixels (MP)	Sensor and size (inches)	Pixels size (µm)	Exposure time	Resolutions	Max. frames (p/sec)	Color rendering	Dynamic range (db)	S/N Ratio (db)	Sensitivity V/lux-sec	Product number
sCMEX- 3	3.1	1/2.8" sCMOS	2.5 x 2.5	0.244 ~ 15000 ms	2048 x 1536 1920 x 1080	50 58	36 bits	--	--	0.15	DC.3000s
sCMEX- 6	6.3	1/1.8" sCMOS	2.5 x 2.5	0.244 ~ 15000 ms	3072 x 2048 1536 x 1024	30 38	36 bits	66.8	44.51	0.15	DC.6000s
sCMEX-20	20	1" sCMOS	2.4 x 2.4	0.264 ~ 15000 ms	5440 x 3648 2736 x 1824 1824 x 1246	15 50 60	36 bits	66.3	44.74	0.21	DC.20000s
sCMEX-32	32	1.15" sCMOS	2.3 x 2.3	0.1 ~ 15000 ms	5600 x 5600 2800 x 2800 1400 x 1400	8.1 30 30	36 bits	88	50	0.43	DC.32000s

The sCMEX cameras are supplied in a carton box with USB-2.0 cable, 30.0 and 30.5 mm to 23.2 mm conversion adapters for use with stereo microscopes, 1 mm/100 (10 µm/division) calibration slide. The DC.3000s and DC.6000s are supplied with a 0.5x objective, the DC.20000s and DC.32000s are supplied with a 1.0x adapter

HD AND HD-AUTOFOCUS CAMERAS

HIGH DEFINITION CAMERAS FOR EDUCATION

FEATURED

3 EDUCATION DIGITAL SOLUTIONS



High definition HD1080p and 720p CMOS color cameras with HDMI and USB-2.0/3.0 interfaces

The Euromex UHD-4K, HD-Ultra, HD-Lite, HD-Mini and HD-Autofocus cameras offer the perfect solution to modern microscopy where real-time images are needed. These HD image quality cameras can be used with biological, metallurgical or stereo microscopes

The cameras are equipped with high sensitive sensors for low and intense light conditions and are also suitable for coaxial illumination and machine vision applications. The real-time images generated with this camera provide excellent color rendering with frame speeds up to 60 fps

STAND-ALONE MODE

To use these cameras you do not need a computer or have any computer knowledge. Most camera settings are done automatically and therefore these cameras are very user-friendly. This results in faster, more flexible and compact working conditions. Simply connect the camera to a high definition dedicated 11.6" HD screen, TV-HD or HD-beamer with a HDMI

input and the system is ready to go. The UHD-4K camera can also be connected to a GbE ethernet and DHCP enabled network router and has also a WiFi interface. The mouse driven built-in software of the camera enables captured images and recorded videos* to be saved on the integrated SD memory card

With the UHD-4K, HD-Ultra, HD-Lite and HD-Autofocus cameras, the captured images or recorded video*s* can be very easily reviewed or replayed on the HD screen. The UHD-4K and HD-Ultra even offer a full range of measuring functions on live and captured images. The HD-Autofocus offers measuring functions on live image only

*video function only available with UHD-4K (.mp4), HD-Ultra (.avi) and HD-Lite (.avi) cameras

COMPUTER CONTROLLED MODE

Users who want more camera controls and more functions can also connect the camera to a computer and benefit from the extensive functions of the Euromex ImageFocus software. It runs

HIGHLIGHTS

- UHD 2160p, HD 1080p or 720p high definition color cameras
- Real-time images directly on TV, monitor or beamer
- Stand-alone or computer controlled mode
- Built-in mouse-driven software and SD memory card
- C-mount interface
- HDMI, USB-2.0/3.0, GbE and WiFi interface(s)
- Autofocus model available
- Compatible with ImageFocus software

on Windows 7, 8 and 10, both 32 and 64 bits. Euromex supplies free software updates on www.euromex.com. Besides extended camera settings, the software can save images in JPG, TIFF or BMP formats and record videos in .avi format on the hard disk of the computer. The software offers different measurement functions on live and captured images and also full control over the camera parameters. Specific functions for fluorescence - such



VC.3036-HDS on stereo microscope as histogram adjustments and combining captured fluorescence images - are also available with the ImageFocus software

PACKAGE CONTENT

MODELS	UHD-4K	HD-Ultra	HD-Lite	HD-Mini	HD-Mini +HDS	HD-Autofocus	HD-Pro
Software	ImageFocus Alpha	ImageFocus Plus	ImageFocus Plus	--	--	--	ImageFocus Alpha
Software languages	15 ⁽²⁾	13 ⁽¹⁾	13 ⁽¹⁾	--	--	15 ⁽²⁾	15 ⁽²⁾
Compatible	Win 7, 8 and 10 Mac OS	Win 7, 8 and 10 Mac OS	Win 7, 8 and 10 Mac OS	--	--	--	Win 7, 8 and 10
C-mount with objective	0.5x	0.37x	0.45x	0.5x	0.5x	0.5x	0.37x
Interface(s)	•	•	•	Only HDMI	Only HDMI	•	•
30 and 30.5 mm adapters	•	•	•	•	•	•	•
SD card	16 GB	16 GB	8 GB	4 GB	4 GB	16 GB	16 GB
Calibration slide 10mm/100	•	•	•	•	•	•	•
External power supply	12V 1A	12V 2A	12V 2A	12V 1A	12V 1A	12V 1A	12V 1A
Dimensions (w x d x h)	78 x 65 x 98	80 x 70 x 90	80 x 70 x 90	51ø x 60	50 x 50 x 60	81 x 65 x 78	81 x 65 x 78
Weight (grams)	555	440	280	50	130	500	500
Product number	VC.3040	VC.3036	VC.3031	VC.3023	--	VC.3034	VC.3038
With 11.6" HD screen	VC.3040-HDS	VC.3036-HDS	VC.3031-HDS	--	VC.3024-HDS	VC.3034-HDS	VC.3038-HDS

⁽¹⁾ English, Chinese Simplified, Traditional Chinese, Thai, German, Italian, French, Korean, Japanese, Russian, Polish and Portuguese

⁽²⁾ English, Catalan, Indonesian, Polish, Chinese Simplified, Traditional Chinese, Thai, German, Italian, French, Korean, Japanese, Russian, Turkish, Spanish

3 EDUCATION DIGITAL SOLUTIONS

ALL HD-CAMERAS

MODELS	UHD-4K	HD-Ultra	HD-Lite	HD-Mini	HD-Mini + HDS	HD-Autofocus	HD-Pro HDMI
Sensor	Sony 4K	Sony	Aptina	Sony	Sony	Sony	Sony
Format	1/1.8", HDTV 2160p	1/2.8", HDTV 1080p	1/2.5", HDTV 1080p	1/2.8", HDTV 1080p	1/2.8", HDTV 1080p	1/1.9", HDTV 1080p	1/2.8", HDTV 1080p
Pixels	3840 x 2160 ⁽¹⁾ HDMI 60 fps USB 30 fps	3264 x 1836 ⁽¹⁾ 1920 x 1080 ⁽²⁾ HDMI 60 fps USB 30 fps	2592 x 1944 ⁽¹⁾ 1920 x 1080 ⁽²⁾ HDMI 15 fps, USB 15fps	1920 x 1080 ⁽¹⁾ 1920 x 1080 ⁽²⁾ HDMI 60 fps	1920 x 1080 ⁽¹⁾ 1920 x 1080 ⁽²⁾ HDMI 60 fps	1920 x 1080 ⁽¹⁾ HDMI 60 fps	1920 x 1080 ⁽¹⁾ 1920 x 1080 ⁽²⁾ HDMI 60 fps, USB 26 fps
Pixel size	2.0 x 2.0 (µm)	2.8 x 2.8 (µm)	2.2 x 2.2 (µm)	2.9 x 2.9 (µm)	2.9 x 2.9 (µm)	3.75 x 3.75 (µm)	2.9 x 2.9 (µm)
Video recording	2160p	1080p	1080p	1080p	1080p	1080p	1080p
Video output	HDMI, USB-3.0 ⁽³⁾ , GbE ethernet, WiFi ⁽³⁾	HDMI, USB-2.0	HDMI, USB-2.0	HDMI	HDMI	HDMI, USB-C ⁽³⁾	HDMI, USB-2.0
Scan mode	Progressive	Progressive	Progressive	Progressive	Progressive	Progressive	Progressive
Exposure	Automatic/ manual	Automatic/ manual	Automatic/ manual	Automatic/ manual	Automatic/ manual	Automatic/ manual	Automatic/ manual
White balance	Automatic/ manual/ROI	Automatic/ manual	Automatic/ manual	Automatic/ manual	Automatic/ manual	Automatic/ manual	Automatic/ manual/ROI
Sensitivity lux-sec	505 mV	510 mV	1 V	1300 mV	1300 mV	1.12 V (1/30s)	1.3 V (1/30s)
Color rendering (bits)	36	36	24	12	12	24	24
Signal/Noise (db)	44	55	40.5	42	42	50	38
Dynamic (db)	--	69	60	69	69	65	66
Storage	16 GB SD card (max. 32 GB)	16 GB SD card (max. 32 GB)	8 GB SD card (max. 32 GB)	4 GB SD card (max.8 GB)	4 GB SD card (max.8 GB)	16 GB SD card (max. 32 GB)	16 GB SD card (max. 32 GB)
Camera buttons	on/off	on/off	on/off	--	--	on/off	on/off
Mounting	C-mount	C-mount	C-mount	C-mount	C-mount	C-mount	C-mount
External power supply	100-240 Vac to 12Vdc/1A	100-240 Vac to 12Vdc/2A	100-240 Vac to 12Vdc/2A	100-240 Vac to 12Vdc/1A	100-240 Vac to 12Vdc/1A	100-240 Vac to 12Vdc/2A	100-240 Vac to 12Vdc/2A
Relative humidity	10-60 %	45-85 %	45-85 %	30-80 %	30-80 %	45-85%	30~80%
Temperature Operation Storage	-10 – 50° C -20 to 60° C	0 – 60° C -20 to 70° C	0 – 60° C -20 to 70° C	-10 – 50° C -20 to 60° C	-10 – 50° C -20 to 60° C	-10-40° C -20°C to 60° C	-10~ 50° C -20°C to 60° C
Product number	VC.3040 VC.3040-HDS⁽⁴⁾	VC.3036 VC.3036-HDS⁽⁴⁾	VC.3031 VC.3031-HDS⁽⁴⁾	VC.3023 --	-- VC.3024-HDS⁽⁴⁾	VC.3034 VC.3034-HDS⁽⁴⁾	VC.3038 VC.3038-HDS⁽⁴⁾

⁽¹⁾ capture mode ⁽²⁾ live view ⁽³⁾ USB-2.0 compatible ⁽⁴⁾ model with attached high definition screen ⁽⁵⁾ available from November 2019

BUILT-IN SOFTWARE FEATURES (HDMI MODE)

MODELS	UHD-4K	HD-Ultra	HD-Lite	HD-Mini	HD-Mini + HDS	HD-Autofocus	HD-Pro HDMI
Image capturing (JPEG)	3840 x 2160	3261 x 1840	2592 x 1944	1920 x 1080	1920 x 1080	1920 x 1080	1920 x 1080
Video recording	3840 x 2160 MP4	1920 x 1080 AVI	1920 x 1080 AVI	1920 x 1080 MP4	1920 x 1080 MP4	1920 x 1080 ASF	1920 x 1080 ASF
Browse saved images	•	•	•	•	•	•	•
Browse saved video's	•	•	•	•	•	no	•
SD card storage	16 GB	16 GB	8 GB	4 GB	4 GB	16 GB	16 GB
Mouse driven	•	•	•	•	•	•	•
Auto exposure	•	•	•	•	•	•	•
Exposure time	0.04 ~ 1000 ms	0.001s ~ 10 s	0.001s ~ 10 s	0.01 ~ 1000 ms	0.01 ~ 1000 ms	0.06 ~ 918 ms	0.036 ~ 8000 ms
Gain	•	•	•	•	•	•	•
RGB & white balance	•	•	•	•	•	•	•
Gamma	•	•	•	•	•	•	•
Sharpness	•	•	•	•	•	•	•
Noise reduction	3D algorithm	3D algorithm	3D algorithm	3D algorithm	3D algorithm	Standard	Standard
Saturation & contrast	•	•	•	•	•	•	•
Horiz. & vert. flip	•	•	•	•	•	•	•
Grids	cross/multi	cross/multi	multi	multi	multi	multi	User defined
Autofocus	--	--	--	--	--	•	--
Compare function	•	•	•	--	--	•	•
Measurement functions	captured & live images	captured & live images	--	captured & live images	captured & live images	live image only	captured & live images
Calibration table	•	•	--	--	--	•	•
Line & free curve	•	•	--	--	--	•	•
Polygon & rectangle	•	•	--	--	--	•	•
Angle	•	•	--	--	--	•	•
Circle 3 points	•	•	--	--	--	•	•
Circle radius	•	•	--	--	--	•	•
Export function	CSV	CSV, Txt	--	--	--	CSV	CSV
Languages	10 ⁽⁴⁾	9 ⁽³⁾	9 ⁽³⁾	10 ⁽⁴⁾	10 ⁽⁴⁾	10 ⁽⁴⁾	10 ⁽⁴⁾
Product number	VC.3040 VC.3040-HDS	VC.3036 VC.3036-HDS	VC.3031 VC.3031-HDS	VC.3023 --	-- VC.3024-HDS	VC.3034 VC.3034-HDS	VC.3038 VC.3038-HDS

HDMI mode

⁽³⁾ English, Chinese Simplified, Traditional Chinese, German, Italian, French, Korean, Japanese, Spanish

⁽⁴⁾ English, Chinese Simplified, Traditional Chinese, Thai, German, Italian, French, Korean, Japanese, Russian

WiFi CAMERA

WiFi
CAMERAS

FEATURED

COOLED CAMERAS

COOLED
CAMERAS FOR
EDUCATION



CMEX-5 WiFi-2 5.0 MP

digital WiFi camera with 1/2.5 inch CMOS sensor

The CMEX-5 WiFi-2 camera is equipped with a 5.0 MP CMOS sensor with 12 bits grayscale conversion and a 24 bits color rendering

The CMEX camera streams H.264 encoded high resolution images simultaneously to several WiFi enabled smartphones, tablets or computers with iOS, Android or Windows operating systems

Power supply through USB charger or computer USB port. Standard C-mount mounting

Adding a WiFi camera to your microscope is ideal for wireless sharing/viewing of microscope images. Ideal for demonstrations where remote viewing is needed

Android app for this camera is supplied on cd-rom and www.euromex.com. IOS app can be downloaded from the App store (free of charge). ImageFocus Alpha software can be used by means of WiFi on PC's and Macs

The camera is powered by the included USB charger or a computers USB port. Standard 0.37x C-mount objective is included

MODEL	Sensor	Sensor size (inches)	Pixels size (µm)	Resolutions	Grayscale conversion	Color rendering	Signal/ Noise(db)	Dynamic (db)	Sensitivity V/lux-sec	Product number
CMEX-5 WiFi-2	CMOS	1/2.5"	2.2 x 2.2	1280 x 720	12 bits	24 bits	60	66.5	0.53	DC.5000-WiFi-2

The CMEX-5 WiFi-2 camera is supplied in a box with USB-2.0 cable, 30.0 and 30.5 mm adapters to use with stereo microscopes, and a 0.37x C-mount objective



● DC.20000i and DC.6000i



Cooled color camera with CCD or CMOS sensor

The Euromex 6 and 20 Megapixel Peltier cooled cameras are equipped with Peltier cooling elements that allow the camera to be used for fluorescence and other low light applications. These advanced and premium models are supplied with a USB-3.0 interface

All cameras are supplied with ImageFocus Alpha software. The software has specific functions for fluorescence like combining capture fluorescence images. Furthermore it allows capturing of images and videos, doing measurements and annotations, generating reports, live image stitching etc. Compatible with Windows 7, 8 and 10, both 32 and 64 bits configurations. A Mac OS version is also supplied (with a few differences in features)

MODELS	Number of pixels (MP)	Sensor	Pixel size (µm)	Resolutions	Max. frames (p/sec)	USB-3	Dynamic range (db)	S/N Ratio	Sensitivity @ 1/30 sec	Peltier cooling
DC.6000i	6	1" CCD	4.54 x 4.54	2748 x 2200	7.5	•	62.34	41.6	880 mV	•
				2748 x 1092	14					
DC.20000i	20	1" CMOS	2.4 x 2.4	5440 x 3648	5	•	66.3	41.74	462 mV	•
				4096 x 2160	10					
				2736 x 1824	15					
				1824 x 1216	30					

TABLET CAMERAS



EduPad tablet with microscope camera

The EduPad tablet with a 8 inch display can be supplied with a 2.1 MP, 5.1 MP, 12.0 MP or a WiFi camera. Together with the ImageFocus Plus or ImageFocus Alpha software it offers a state-of-the-art solution for modern microscopy for education



● EduPad in case

SOFTWARE

EduPad USB camera is supplied with ImageFocus Plus software and EduPad with WiFi camera is supplied with ImageFocus Alpha. The WiFi camera can also be operated through IOS and Android apps

HIGHLIGHTS

- 8" Tablet with microscope camera
- 1280 x 800 pixels touch screen
- Full Windows 10 Home
- ImageFocus Plus software for PC
- ImageFocus Alpha for WiFi enabled PC and Android devices
- Tablet can be fully detached from camera

● EduPad, detachable, take it anywhere

SPECIFICATIONS

Processor	Quad Core 1.33 GHz with HD graphics processor
Screen	screen 1920 x 1200 touchscreen, 16:10, LED backlight
Memory	2 GB DDR3 RAM
Storage	32 GB flash SDD, Micro SD/SDHC cards up to 64 GB
Webcam	Front and rear cameras
Connectivity	USB-C, Wi-Fi 802.11 b/g/n and Bluetooth 4.0
Audio	Stereo with 3.5 mm audio jack and built-in microphone and speaker
Battery	Lithium
Housing	approx. 21 x 12 x 9 cm
Weight	approx. 0.4 kg
System	Windows 10 Home

Specifications can be changed by Euromex microscopen bv without notice

MODELS	Camera (MP)	Sensor size	Resolution	Pixels size (µm)	ADC	Color rendering	Dynamic (db)	Sensitivity V/lux-sec	Interface	Product number
EduPad-2	2.1	1/2.9"	1920 x 1080	2.8 x 2.8	12 bits	24 bits	--	0.51	Windows, USB 2.0	EP.2000f
EduPad-5	5.1	1/2.8"	2592 x 1920	2.0 x 2.0	12 bits	24 bits	72 db	2.0	Windows, USB 2.0	EP.5000f
EduPad-12	12.0	1/2.3"	4072 x 3176	1.33 x 1.33	8 bits	24 bits	60 db	--	Windows, USB 2.0	EP.12000f
EduPad-WiFi	5	1/2.5"	1280 x 720	2.2 x 2.2	12 bits	24 bits	61 db	1.0	Windows, Apple, Android	EP.5000-WiFi

All EduPad models are supplied with a C-mount objective that fits the standard 23.2 mm trinocular tubes. The EP.2000f, EP.5000f and EP.12000f are supplied with ImageFocus Plus software. The EP.5000-WiFi is supplied with ImageFocus Alpha. Only suitable for straight photo tubes

TABLET CAMERAS



ProPad tablet

with microscope camera and keyboard-docking station

The ProPad Full HD (1280x800) display reveals bright colors and crisp images.

The ProPad consists of a high quality microscope camera system and a fully detachable tablet running the latest ImageFocus version.

You can take it anywhere

Together with the included attachable keyboard, you can use it as a microscope imaging system, tablet and laptop. The keyboard connects to the tablet using magnets to provide a latchless docking solution that lets you smoothly remove and re-attach the keyboard to the ProPad

SOFTWARE

ProPad-2, ProPad-5 and ProPad-12 are supplied with ImageFocus Plus. ProPad-WiFi is supplied with ImageFocus Alpha. The WiFi camera can also be operated through IOS and Android apps



HIGHLIGHTS

- 10.1" Tablet with microscope camera
- 1280 x 800 pixels HD touch screen
- Windows 10 Home
- ImageFocus Plus software for PC
- ImageFocus Alpha for WiFi enabled PC and Android devices
- Tablet can be fully detached from camera
- Including keyboard
- The snap-on keyboard uses a magnetic docking system



SPECIFICATIONS

Processor	Quad Core 1.92 GHz with HD graphics processor
Screen	10.1 inch, 1280 x 800 (WGXA) touchscreen, 16:10, LED backlight
Memory	2 GB DDR RAM, 2 MB cache
Storage	32 GB Flash HDD, micro SD/SDHC up to 64 GB
Webcam	2 MP, 1600 x 1200 pixels front and rear cameras
Connectivity	Micro USB 2.0, WiFi 802.11 b/g/n and Bluetooth 4.0
Audio	Stereo with 3.5 mm audio jack, internal microphone and speaker
Battery	Lithium
Housing	246.9 x 174.2 x 9.4 mm (tablet), 246.9 x 174.2 x 8.2 mm (keyboard)
Weight	588 grams (tablet), 551 grams (keyboard)
System	Windows 10 Home
Supplied with	Keyboard-docking station

Specifications can be changed by Euromex microscopen bv without prior notice

MODELS	Camera (MP)	Sensor size	Resolution	Pixels size (µm)	ADC	Color rendering	Dynamic (db)	Sensitivity V/lux-sec	Interface	Product number
ProPad-2	2.1	1/2.9"	1920 x 1080	2.8 x 2.8	12 bits	24 bits	--	0.51	Windows, USB 2.0	PP.2000f
ProPad-5	5.1	1/2.8"	2592 x 1920	2.0 x 2.0	12 bits	24 bits	72 db	2.0	Windows, USB 2.0	PP.5000f
ProPad-12	12.0	1/2.3"	4072 x 3176	1.33 x 1.33	8 bits	24 bits	60 db	--	Windows, USB 2.0	PP.5000f
ProPad-WiFi	5.0	1/2.5"	1280 x 720	2.2 x 2.2	12 bits	24 bits	61 db	1.0	Windows, Apple, WiFi, Android	PP.5000-WiFi

All ProPad models are supplied with a C-mount objective that fits the standard 23.2 mm trinocular tubes. The PP.1300c is supplied with ImageFocus 4, the PP.2000f, PP.5000f and PP.12000f are supplied with ImageFocus Plus software. The PP.5000-WiFi is supplied with ImageFocus Alpha. Only suitable for straight photo tubes

FREE UPDATES
AVAILABLE ON
EUROMEX.COM

SOFTWARE

The software is compatible with all cameras mentioned in table below. Besides live imaging the software captures images in various formats and video in .avi format

IMAGE FOCUS 4

DC.1300c

IMAGE FOCUS PLUS

DC.2000f	VC.3036
DC.5000f	VC.3031
DC.12000f	

IMAGE FOCUS ALPHA

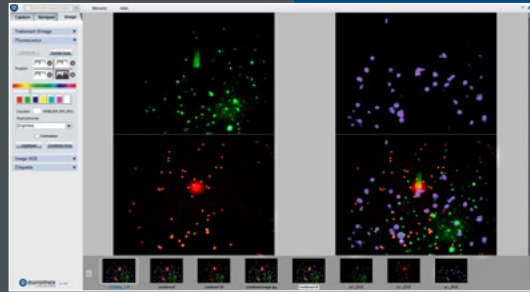
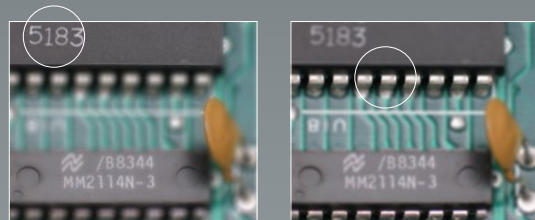
DC.3000-Pro	DC.5000-WiFi
DC.5000-Pro	DC.3000s
DC.10000-Pro	DC.6000s
DC.18000-Pro	DC.20000s
VC.3038	

IMAGE STITCHING

Image stitching is the process of combining multiple images with overlapping fields of view to produce one image

EXTENDED DEPTH OF FOCUS

"The extended depth of focus" function in the ImageFocus Alpha software or "stacking software", allows to combine a number of digital images of a object, focused at different focus planes, into one final image with much greater depth of field (see illustration below)



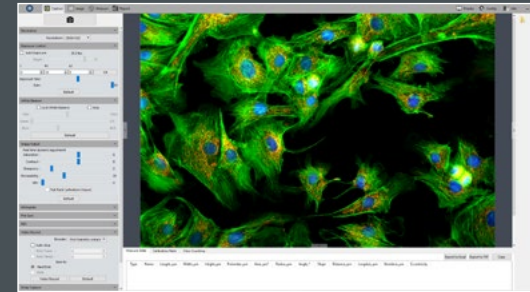
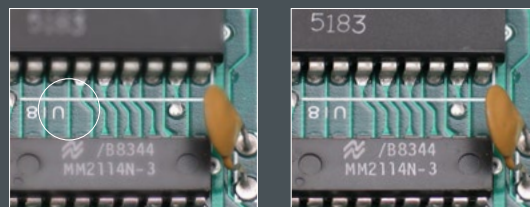
ImageFocus 4 software

ImageFocus 4 has a wide range of functions:

- Measurements can be done on still and live image
- Images can be saved in .jpg, .tif, .or .bmp formats as well as .avi format videos
- The brightness, contrast and saturation of captured images can be adjusted
- Camera parameters for exposure time, white balance and color control are easily accessible
- The software also has specific functions for fluorescence such as combining captured fluorescence images
- Compatible with Windows 7, 8 and 10, both 32 and 64 bits configuration. A Mac OS Light version is also available for capturing images*
- PC requirements: Intel Core2 2.8 GHz or higher or equivalent, 2GB memory or more, 17" screen

* Mac version not available for VC Series

One language can be selected during initial installation of the ImageFocus 4 software: English, German, French, Dutch, Spanish and Russian

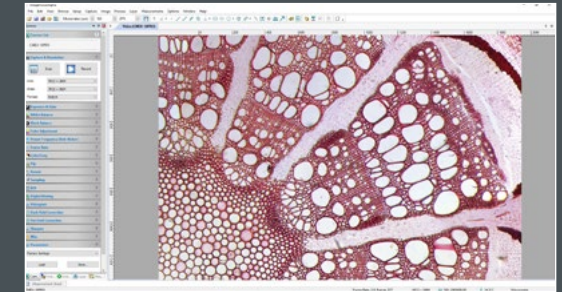


ImageFocus Plus software

ImageFocus Plus has a wide range of functions:

- Measurements on still and live image
- Extended depth of focus and stitching on still and live image (only with VC.3036 and VC.3031 cameras)
- Images can be saved in .jpg, .tif, .bmp or .dicom formats as well as .avi and mpeg-4 format videos
- The brightness, contrast and saturation of captured images can be adjusted
- Camera parameters for exposure time, white balance and color control are easily accessible
- The software also has specific functions for fluorescence such as combining captured fluorescence images
- Compatible with Windows 7, 8 and 10, both 32 and 64 bits configuration. A Mac OS version is also available
- PC requirements: Intel Core2 2.8 GHz or higher or equivalent, 2 GB memory or more, 17" screen

ImageFocus Plus software features English, German, French, Dutch, Spanish and Russian



ImageFocus Alpha software

ImageFocus Alpha has a wide range of functions:

- Measuring, segmentation & counting, stiching of images, extended depth of focus, etc
- Images can be saved in .jpg, .tif, .bmp or .dicom formats as well as .avi format videos
- The brightness, contrast and saturation of captured images can be adjusted
- Camera parameters for exposure time, white balance and color control are easily accessible
- The software also has specific functions for fluorescence such as combining captured fluorescence images
- Compatible with Windows 7, 8 and 10, both 32 and 64 bits configuration. A Mac OS version is also supplied (with a few differences in features)
- PC requirements: Intel Core2 2.8 GHz or higher or equivalent, 2GB memory or more, 17" screen

One language can be selected during initial installation of the ImageFocus Alpha software English, Catalan, French, German, Indonesian, Italian, Japanese, Korean, Polish, Russian, Simplified Chinese, Spanish, Thai, Traditional Chinese, Turkish

IMAGE
FOCUS

ADAPTERS

FOR ALL
MICROSCOPE
CAMERAS



● AE.5130

NZ.9850 ●

adapter guide

microscope and camera

Most Euromex cameras are supplied with a photo port c-mount adapter to connected it to any Euromex trinocular microscope*. Monocular microscopes require the removal of the eyepiece so that the camera can be fitted into the 23.2 mm tube. Binocular microscopes require the removal of an eyepiece plus an additional mechanical adapter

* Except for the Oxion, Oxion Inverso and Delphi-X Inverso series. These microscopes need an additional adapter. See next page

Should you want to connect one of our cameras to another microscope brand, see adapter references below:

MODELS	1/3 inch camera	1/2 inch camera	2/3 inch camera	1 inch camera
Leica ⁽¹⁾	AE.9835-L (0.35x)	AE.9855-L (0.55x)	AE.9870-L (0.70x)	AE.9810-L (1x) AE.9812-L (1.2x)
Olympus ⁽²⁾	AE.9835-O (0.35x)	AE.9850-O (0.50x)	AE.9863-O (0.63x) AE.9880-O (0.80x)	AE.9810-O (1x) AE.9812-O (1.2x)
Zeiss ⁽³⁾	AE.9835-Z (0.35x)	AE.9850-Z (0.50x)	AE.9865-Z (0.65x)	AE.9810-Z (1x) AE.9812-Z (1.2x)
Zeiss ZA ⁽⁴⁾	--	AE.9850-ZA (0.50x)	AE.9863-ZA (0.63x) AE.9880-ZA (0.80x)	AE.9810-ZA (1x) AE.9812-ZA (1.2x)
Nikon ⁽⁵⁾	AE.9835-N (0.35x)	AE.9855-N (0.55x)	AE.9870-N (0.70x) AE.9880-N (0.80x)	AE.9810-N (1x) AE.9812-N (1.2x)

⁽¹⁾ Leica DM, 35 mm to 25.4 mm C-mount, stainless steel

⁽²⁾ Olympus CX, CX2, BX, BX2, IX, MX, GX, SZX, STM, 42 mm to 25.4 mm C-mount, anodized aluminum

⁽³⁾ Zeiss PrimoStar, PrimoStar Vert, 30 mm to 25.4 mm C-mount, anodized aluminum

⁽⁴⁾ Zeiss 60N-C, 60N-T2 photo ports of Axio examiner, Axio Imager, Axio Lab, Axio Observer, Axio Scope, Axio Zoom, Stemy 508 and SteREO Discovery

⁽⁵⁾ Nikon E100, E200, 50i, 55i, 80i, 90i, Ni series, Ti Series, SMZ800, SMZ1000, SMZ15000, 38 mm to 25.4 mm C-mount, stainless steel

● AE.9835-L



23.2 MM PHOTO PORT C-MOUNT ADAPTERS

Suitable for all Ø 23.2 mm (photo) tubes

- DC.1324** C-mount adapter with 0.45x objective for 1/2" camera
- DC.1353** C-mount adapter with 0.37x objective, fixed focal length and short barrel*. For 1/3" camera
- DC.1355** C-mount adapter with 0.50x objective, fixed focal length and short barrel*. For 1/2" camera
- DC.1357** C-mount adapter with 0.75x objective, fixed focal length and short barrel*. For 2/3" camera
- DC.1359** C-mount adapter with 1x lens, fixed focal length and short barrel, for standard 23.2 mm tube and 1 inch camera
- DC.1330** 30 mm to 23.2 mm conversion adapters
- DC.1335** 30.5 mm to 23.2 mm conversion adapters

* for increased light efficiency



● DC.1355

● DC.1330 / DC.1335

● DC.1324

● AE.5130

● AE.5120-2

PHOTO PORT ADAPTERS

Suitable for Euromex microscopes with a photo port such as Oxion, NexiusZoom, StereoBlue, Delphi-X Observer and Delphi-X Inverso

- AE.5120-2** Standard 23.2 mm diameter tube for Oxion photo port
- DI.9840** C-mount with high resolution 0.40x objective for 1/3 inch C-mount camera
- DI.9850** C-mount with high resolution 0.50x objective for 1/2 inch C-mount camera
- DI.9810** C-mount with 1x magnification for C-mount camera
- DX.9835** C-mount with high resolution relay 0.35x objective for 1/3 inch C-mount camera
- DX.9850** C-mount with high resolution relay 0.50x objective for 1/2 inch C-mount camera
- DX.9863** C-mount with high resolution relay 0.63x objective for 2/3 inch C-mount camera
- DX.9810** C-mount with 1 magnification for C-mount camera
- NZ.9833** C-mount adapter with 0.33x objective for NexiusZoom microscopes and 1/3" cameras
- NZ.9850** C-mount adapter with 0.5x objective for NexiusZoom microscopes and 1/2" cameras
- OX.9810** C-mount adapter with 1x magnification for 1" cameras
- OX.9833** C-mount adapter with 0.33x objective for Oxion microscopes and 1/3" cameras
- OX.9850** C-mount adapter with 0.5x objective for Oxion and Oxion Inverso microscopes and 1/2" cameras
- SB.9850** C-mount adapter with 0.5x objective for StereoBlue microscopes and 1/2" cameras

DIGITAL SLR ADAPTERS

Digital single lens reflex camera with a APS-C sensor can be mounted on a standard 23.2 mm trinocular tube

Choose the universal DC.5130 adapter with built-in 2x objective, together with a brand-specific T-2 adapter

- AE.5130** Universal SLR camera adapter for 23.2 mm tube with built-in 2x magnification lens. Needs T2 adapter
 - AE.5025** T2 adapter for Nikon D digital SLR cameras
 - AE.5040** T2 adapter for Canon EOS digital SLR cameras
- Other T2 adapters on request

accessories

for microscopy



accessories



- ILLUMINATION SOLUTIONS • PAGE 354
- DISSECTION INSTRUMENTS • PAGE 362
- DISSECTION KITS • PAGE 364
- MICROSCOPE PREPARED SLIDES • PAGE 366
- DISPOSABLES • PAGE 378
- STAINS • PAGE 379



illumination solutions

For stereo microscopes choosing the right illumination is essential to obtain a perfect image with maximum resolution. LED light sources have a much longer life span, less energy consumption and less heating than halogen light sources

The major advantage of LED illumination is the constant light spectrum at all light intensity levels. These light sources are suitable for all kinds of applications in industry, life sciences and materials sciences

illumination solutions

for stereo microscopy



ILLUMINATION SOLUTIONS

The right light source solution can enhance and reveal the details you want to examine



Illumination solutions

MULTIFUNCTIONAL 150 W HALOGEN OR 30 W POWER-LED • COLD LIGHT SOURCE

A powerful multifunctional 150 W halogen (LE.5211) and 30 W PowerLED cold light source is ideal for the advanced requirements of numerous applications in life and materials science. The intensity is adjustable and has a built-in forced air cooling. The LE.5211 and LE.5211-LED light sources require a light fiber conductor such as the single LE.5213, dual LE.5214, triple LE.5215 or the LE.5239 or LE.5240 ring light fiber conductors. The LE.5213, LE.5214 and LE.5215 light conductors can be equipped with a lens holder (LE.5222) and a focusing lens (LE.5224)



● LE.5211-LED/LE.5211 + LE.5214 + 2x LE.5222 + 2x LE.5224

Power	150 W halogen	30 W PowerLED (equivalent to 120 W halogen)
Luminous flux	21,000 lux max ¹⁾	30,000 lux max.*
Color temperature	3,000 K	6,500 K
Operating voltage	100 and 240 V AC / 12 V DC (50/60 Hz)	100-240 V AC / 12 V DC (50/60 Hz)
Dimensions	(h) 150 x (w) 150 x (d) 230 mm	150 (h) x 150 (w) x 230 mm (d)
Weight	3,9 kg	2.8 kg
Model	LE.5211	LE.5211-LED

* with LE.5214 dual arm light conductor

MULTIFUNCTIONAL 100 W HALOGEN • COLD LIGHT SOURCE

This popular multifunctional cold light source contains a 100 W halogen light source. The intensity is adjustable and it has a built-in forced air cooling. The LE.5210 light source requires a light fiber conductor such as the single LE.5213, dual LE.5214, triple LE.5215 or the LE.5239 or LE.5240 ring light fiber conductors. The LE.5213, LE.5214 and LE.5215 light conductors can be equipped with a lens holder (LE.5222) and a focusing lens (LE.5224). Ideal for all kinds of applications in Life and Materials sciences, various industrial applications and for stereo microscopy



Power	100 W halogen
Luminous flux	20,000 lux max.*
Color temperature	3,000 K
Operating voltage	100 and 240 V AC / 12 V DC (50/60 Hz)
Dimensions	115 (h) x 320 (w) x 215 mm (d)
Weight	3.8 kg
Model	LE.5210

* with LE.5214 dual arm light conductor

COMPACT SINGLE 20 W LIGHT SOURCE

Compact cold light source with single 40 cm, 6 mm diameter fiber light conductor. Equipped with a 20 W halogen lamp. Light intensity is factory preset and can not be adjusted



Power	20 W halogen
Color temperature	3,000 K
Operating voltage	110 V AC and 230 V AC versions (50/60 Hz)
Dimensions	80 (h) x 110 (w) x 165 mm (d)
Weight	2.0 kg
Model	LE.5209

ECONOMICAL AND COMPACT DUAL 3 W LED • LIGHT SOURCE

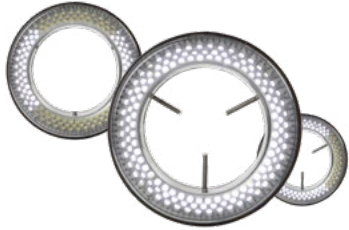
Economical dual LED intensity adjustable light source with two 44 cm flexible gooseneck arms, each mounted with a 3 W LED. Ideal for applications in life and materials sciences, various industrial applications and for stereo microscopy



Power	2x 3 W LED = 2x 28 W halogen equivalent
Luminous flux	25,000 lux
Color temperature	6,500 K
Operating voltage	100-240 V AC / 5 V DC (50/60 Hz)
Dimensions	70 (h) x 106 (w) x 140 mm (d)
Weight	1.5 kg
Model	LE.5207

144 LED RING LIGHT SOURCE • LE.1973

LED ring light source with high illuminance and segment illumination for all kinds of demanding applications



Ring illumination	144 LEDs with adjustable intensity and 4 segment illumination
Color temperature	6,500 K
Illuminance	23,000 lux at 100 mm distance
working distance:	from 55 to 200 mm
Mounting	for stereo head with diameter from 25 to 61 mm
Power supply	100-240 V AC / 12 V DC (50/60 Hz) / 4.5 Watt
External diameter	100 mm
Model	LE.1973

COMPACT 72 LEDS • LE.1974

Compact 20,000 lux LED ring light source



Ring illumination	72 LEDs with adjustable intensity and 4 segment illumination
Color temperature	6,500 K
Illuminance	21,000 lux at 100 mm distance
working distance:	from 50 to 180 mm
Mounting	for stereo head with diameter from 25 to 61 mm
Power supply	100-240 V AC / 12 V DC (50/60 Hz) / 4 Watt
External diameter	100 mm
Model	LE.1974

PROFESSIONAL HIGH POWER LED RING LIGHT SOURCES • LE.1980/ LE.1981

LED ring light source with maximum illuminance and metal construction for professional usage. With adjustable intensity, optional power supply/segment controller, diffuser, polarizers and Fresnel focusing lenses for perfect illumination of objects



MODELS	Number of LEDs	Color temperature	Illuminance	For mounting diameters	Internal/external diameter	Required power supply/ controller
LE.1980	48	6,000 K	17,000 lux	from 30 to 66 mm	45/90 mm	LE.1992 Analog controller
LE.1981	48	6,000 K	17,000 lux	from 30 to 66 mm	45/90 mm	LE.1993 Digital segments controller

PROFESSIONAL HIGH POWER LED RING LIGHT SOURCES LE.1990/ LE.1991

LED ring light source with maximum illuminance and metal construction for professional usage. With adjustable intensity, optional power supply/segment controller, diffuser, polarizers and Fresnel focusing lenses for perfect illumination of objects



MODELS	Number of LEDs	Color temperature	Illuminance	For mounting diameters	Internal/external diameter	Required power supply/ controller
LE.1990	72	6,000 K	21,000 lux	from 40 to 66 mm	60/110 mm	LE.1992 Analog controller
LE.1991	72	6,000 K	21,000 lux	from 40 to 66 mm	60/110 mm	LE.1993 Digital segments controller

ILLUMINATION STATION LE.5212

Light source station with multiple power supply connections for two self-sustaining gooseneck-type guides, one ring light and one transmitted stage illumination. For stand-alone usage or mounted on stereo microscope pillar stands with diameters up to 44 mm or with 35- and 25-mm pole mounting adapter rings

- Each self-sustaining gooseneck-type LED guide is equipped with a 3-lens focusing head and has a length of 56 cm
- White 6,500 K LED ring light generating with 60 LEDs up to 24,000 Lux. Mounting diameters from 21 to 61 mm
- Transmitted light stage illumination with a 6,500 K white LED generating up to 8,000 Lux with 42 LEDs. Stage diameter 94.5 and 15 mm thick

MODELS	3 W gooseneck guide LED	4 W white LED ring light	2 W white LED transmitted light stage
LE.5212	White LED, 6,500 K	•	•
LE.5212-365	365 nm, monochrome	•	•
LE.5212-395	395 nm, monochrome	•	•
LE.5212-420	420 nm, monochrome	•	•



FLUORESCENCE 40 HZ RING LIGHT SOURCE FOR Z SERIES STEREO ZOOM MICROSCOPES

Suitable for Z series stereo zoom microscopes,
except for ZE.1659. Integrated 240 V AC
power supply

Ring illumination	Fluorescent 40 kHz ring, fixed intensity
Color temperature	5,200 K
Illuminance	6,500 lux at 100 mm distance
working distance:	35-160mm
Mounting	48 mm with adapter for ZE series microscopes
Power supply	230-250 V
External diameter	100 mm
Model	LE.1863



ACCESSORIES AND SPARE PARTS

FOR LE.5210, LE.5211 AND LE.5211-LED COLD LIGHT SOURCES

FIBER LIGHT CONDUCTORS

- LE.5213** Single arm fiber light conductor, gooseneck self-sustaining, 50 cm long, 4 mm diameter
- LE.5214** Dual arm fiber light conductor, gooseneck self-sustaining, 50 cm long, 4 mm diameter
- LE.5215** Triple arm fiber light conductor, gooseneck self-sustaining, 50 cm long, 4 mm diameter
- LE.5219** Dual arm fiber light conductor, gooseneck self-sustaining, 70 cm long, 4 mm diameter
- LE.5239** Slit ring-shaped fiber light conductor 60 cm long, 8 mm diameter
- LE.5240** Slit ring shaped fiber light conductor 100 cm long, 8 mm diameter
- LE.5241** Flexible fiber light conductor, curved 90°, 60 cm long, 4 mm diameter
- LE.5216** Single arm flexible fiber light conductor, 100 cm long, 4 mm diameter

- LE.5235** Dual arm flexible fiber light conductor, 100 cm long, 4 mm diameter
- LE.5235-3** Dual arm flexible fiber light conductor, 300 cm long, 4 mm diameter
- LE.5217** Triple arm flexible fiber light conductor, 100 cm long, 4 mm diameter
- LE.5218** Single arm flexible fiber light conductor, 100 cm long, 8 mm diameter
- LE.5220** Single arm flexible fiber light conductor, 200 cm long, 8 mm diameter
- LE.5222** Focusing head for focusing lens LE.5224, LE.5228 or filters LE.5229 and LE.5231 (for fiber light conductors)
- LE.5224** Focusing lens. Requires LE.5222 or LE.5228 for mounting on LE.5213, LE.5214 and LE.5215
- LE.5228** Focusing head with iris diaphragm (for fiber light conductors)
- LE.5229** Polarization filter
- LE.5231** Conversion KB12/80B filter

HALOGEN BULBS AND FUSES

- SL.5208** Halogen 20 W 12 V bulb with reflector (3,000 hrs nominal), GU4 fits LE.5209
- SL.5219** Halogen 100 W 12 V bulb with reflector (50 hrs nominal), MR16 fits LE.5210
- SL.5230** Halogen 100 W 12 V 'Long Life' bulb (1,000 hrs nominal), MR16 fits LE.5210
- SL.5235** Halogen 150 W 15 V bulb (50 hrs nominal), MR16 fits LE.5211
- SL.5240** Halogen 150 W 15 V 'Long Life' bulb (500 hrs nominal), MR16 fits LE.5211
- AE.5227** Spare fuses 1A/250 V, 10 pieces

FOR LE.1980 AND LE.1981

- LE.1984-050** Fresnel lens, WD from 40 to 80 mm
- LE.1984-100** Fresnel lens, WD from 80 to 150 mm
- LE.1984-200** Fresnel lens, WD from 150 to 240 mm
- LE.1984** Diffusing filter, for WD from 40 to 300 mm
- LE.1985** Glass protection window
- LE.1987** Polarizing filter
- LE.1888** Rotatable polarizing filter
- LE.1992** 100-230 V power supply analog controller. Intensity adjustable from 0-100%
- LE.1993** 100-230 V power supply digital segment controller. Intensity adjustable from 0-100%

FOR LE.1990 AND LE.1991

- LE.1994-050** Fresnel lens, WD from 40 to 80mm
- LE.1994-100** Fresnel lens, WD from 80 to 150 mm
- LE.1994-200** Fresnel lens, WD from 150 to 240 mm
- LE.1994** Diffusing filter, for WD from 40 to 300 mm
- LE.1995** Glass protection window
- LE.1997** Polarizing filter
- LE.1998** Rotatable polarizing filter
- LE.1992** 100-230 V power supply analog controller. Intensity adjustable from 0-100%
- LE.1993** 100-230 V power supply digital segment controller. Intensity adjustable from 0-100%

FOR LE.5212

- LE.5260** Interchangeable self-sustaining gooseneck-type guide with a white 6,500 K high-power LED for NZ.9018, LE.5207 or LE.5212, 1 pc (A)
- LE.5261** Interchangeable self-sustaining gooseneck-type guide with a 365 nm high-power UV-LED for NZ.9018, LE.5207 or LE.5212, 1 pc (B)
- LE.5262** Interchangeable self-sustaining gooseneck-type guide with a 395 nm high-power Violet-LED for NZ.9018, LE.5207 or LE.5212, 1 pc (C)
- LE.5263** Interchangeable self-sustaining gooseneck-type guide with a 420 nm high-power Violet-LED for NZ.9018, LE.5207 or LE.5212, 1 pc (D)
- LE.5264** Polarization filter, screw on type for Interchangeable self-sustaining gooseneck-type guides for NZ.9018, LE.5207 or LE.5212, 1 pc

FOR LE.1863

- SL.1864** Spare fluorescence lamp

WD = working distance

PREPARATION ACCESSORIES

Euromex offers the right tools for sample preparing. Before using a microscope good samples are essential to get the most accurate results



dissection instruments

- PB.5050** Dissecting needle, straight tip with plastic handle
- PB.5054** Dissecting needle, lancet-shaped with plastic handle
- PB.5056** Blunt-pointed probe, Ø 2 mm, length 140 mm
- PB.5058** Section lifter with wooden handle
- PB.5060** Serrated thumb dressing forceps, length 13 mm
- PB.5062** Dressing forceps with blunt tips, length 13 cm
- PB.5064** Dressing forceps with blunt tips, length 20 cm
- PB.5067** Dissecting forceps with sharp tips, length 13 cm
- PB.5069** Dissecting forceps with finely curved sharp tips, length 13 cm
- PB.5077** Cover glass forceps, length 11 cm



SCISSORS AND BLADES

- PB.5080** Dressing scissors with blunt/sharp tip, length 14 cm
- PB.5084** Dissecting scissors, sharp tips, length 11 cm
- PB.5092** Scalpel with blunt tip, length 15 cm
- PB.5094** Scalpel handle no. 4 (for blades PB.5095 and PB.5096)
- PB.5095** Scalpel blades with sharp tip, 5 pieces per set
- PB.5096** Scalpel blades with blunt tip, 5 pieces per set
- PB.5103** Strop, double sided for stropping of scalpels, microtome knives. Includes stropping paste

- PB.5105** Razor plano/concave, for sectioning. With plastic handle
- PB.5106** Microtome knife plano/concave. With fixed handle, length 17 cm



HANDHELD MICROTOMES

- MT.5500** Cylinder microtome. Circular stage Ø 70 mm with flat black glass top. Height adjustable with micrometer division 0.01 mm. Complete with plano-concave knife PB.5106 and wooden cabinet
- MT.5501** Cylinder microtome. Identical to MT.5500 but without knife and wooden cabinet
- MT.5503** Handheld microtome. Box type with table clamp and razor blade holder. Thickness adjustment by 0.025 mm intervals. Complete with wooden cabinet



PREPARATION ACCESSORIES



dissection kits

4-PC DISSECTION KIT

PB.5110 IN IMITATION LEATHER CASE

Kit with straight dissecting needle (PB.5050), dissecting forceps (PB.5067), dissecting scissors (PB.5084) and scalpel (PB.5092). Supplied with imitation leather case

6-PC DISSECTION KIT

PB.5111 IN PLASTIC CASE

Kit with straight dissecting needle (PB.5050), lancet-shaped dissecting needle (PB.5054), dissecting forceps (PB.5067), dissecting scissors (PB.5084), scalpel handle no. 4 (PB.5094) and blades (PB.5096). Supplied with plastic case

10-PC DISSECTION KIT

PB.5112 IN IMITATION LEATHER CASE

Kit with two straight dissecting needles (PB.5050), lancet-shaped dissecting needle (PB.5054), dressing forceps (PB.5062), dissecting forceps (PB.5067), scissors (PB.5080), dissecting scissors (PB.5084), two scalpels (PB.5094), five scalpel blades with straight tip and five blades with blunt tip (PB.5095/PB.5096). Supplied with imitation leather case



● PB.5112

9-PC DISSECTION KIT

PB.5114 IN WOODEN CASE

Kit with two straight dissecting needles (PB.5050), lancet-shaped dissecting needle (PB.5054), dressing forceps (PB.5062), dissecting forceps (PB.5067), scissors (PB.5080), dissecting scissors (PB.5084), two scalpels (PB.5094), five scalpel blades with straight tip and five blades with blunt tip (PB.5095/PB.5096). Supplied with wooden cabinet



● PB.5114

6-PC DISSECTION KIT FOR KOI FISH

PB.5115 IN PLASTIC CASE

Dissecting set for Koi fish. Consisting of plastic box with forceps with 1 x 2 points (PB.5060), forceps blunt points, 13 cm (PB.5062), scissors, blunt/ sharp points, 14 cm (PB.5080), microscope scissors, sharp points, 11 cm (PB.5084), blunt-pointed probe (PB.5056), scalpel handle no. 4 (PB.5094), five scalpel blades with straight tip and five blades with blunt tip (PB.5095/PB.5096)



● PB.5115

PROFESSIONAL SLIDE PREPARATION KIT

PB.5125 IN PLASTIC DELUXE CASE

Kit with three prepared slides, 50 microscope slides (PB.5150) and 100 cover glasses (PB.5165). Two microscope slides with cavity. Canada balsam, dissecting needle (PB.5050 and PB.5054). Dissecting forceps (PB.5067), dissecting scissors (PB.5084) and scalpel (PB.5092). Supplied with plastic deluxe case



● PB.5125



● PB.5110



● PB.5111

MICROSCOPE PREPARED SLIDES



Euromex offers teachers, students and microscopy amateurs a wide range of quality micro-slides, which can be used immediately in biology classes as introduction to histology, zoology and botany

sets with 25 slides for education

histology, zoology and botany set

PB.5211 FOR EDUCATION

Set with 25 microscopy slides for education: histological samples of mammals, zoology and botany. All microscope slides are supplied in a plastic box for 25 slides. The set contains:

HISTOLOGY

- SH.1011** Hard bone grinding, human, section
- SH.1045** Skeletal muscle, dog, l.s and c.s
- SH.1072** Skin section through hair follicle, human
- SH.1078** Stratified flat epithelium, dog, section
- SH.1150** Blood smear, human, Giemsa stained

ZOOLOGY

- SZ.1510** Amoeba proteus, w.m
- SZ.1580** Hydra with bud, w.m
- SZ.1640** Lumbricus - earthworm, c.s
- SZ.1655** Daphnia sp., water flea, w.m
- SZ.1715** Musca domestica, house fly, mouth parts
- SZ.1717** Musca domestica, house fly, leg with clinging pads
- SZ.1719** Musca domestica, house fly, wing w.m

BOTANY

- SB.2006** Allium cepa, onion, scale epidermis, w.m
- SB.2009** Allium cepa, onion, mitosis root tip, l.s
- SB.2055** Zea mays, corn, stem, cs
- SB.2060** Triticum aestivum, wheat, stem, c.s
- SB.2070** Helianthus, sunflower, young stem, c.s
- SB.2130** Helianthus, sunflower, leaf, c.s
- SB.2205** Monocot/dicot flower, zea mays/ranunculus, c.s
- SB.2212** Lilium, lily, ovary, c.s
- SB.2335** Mnium, w.m
- SB.2355** Rhizopus nigricans, bread mold, developed sporangia
- SB.2377** Diatoms, w.m
- SB.2381** Spirogyra sp., vegetative mass, w.m
- SB.2405** Dental plaque, smear

histology, zoology and botany set

PB. 5212 FOR EDUCATION

Set with 25 microscopy slides for education: histological samples of mammals, zoology and botany. All microscope slides are supplied in a plastic box for 25 slides. The set contains:

HISTOLOGY

- SH.1001** Loose connective tissue, rabbit
- SH.1005** Hyaline cartilage rabbit, section
- SH.1160** Lymph node, rabbit, section
- SH.1230** Small intestine, dog, c.s
- SH.1250** Liver, pig, section
- SH.1430** Cerebrum section, dog

ZOOLOGY

- SZ.1520** Paramecium, w.m
- SZ.1625** Schistosoma Japonicum, fluke eggs, bilharziose
- SZ.1630** Taenia, tapeworm cattle, mature proglottid, w.m
- SZ.1635** Ascaris megalcephala, horse roundworm, female + male, c.s
- SZ.1708** Apis mellifica, honey bee, mouth parts
- SZ.1725** Periplaneta, cockroach, mouth parts of chewing type
- SZ.1730** Pieris brassicae, cabbage-white butterfly, mouth, w.m
- SZ.1750** Periplaneta, cockroach, spiracle of insect, w.m

BOTANY

- SB.2095** Monocot/dicot stem, zea mays/pumpkin, c.s
- SB.2105** Hibiscus, young stem, c.s
- SB.2110** Cucurbita, pumpkin, stem, l.s
- SB.2115** Sambucus, elderberry or Morus Alba, mulberry, stem with cork cambium + lenticels, c.s
- SB.2160** Lilium, lily leaf, c.s
- SB.2225** Zea mays, corn, corn seed with embryo, l.s
- SB.2235** Pirus, pear, stone cells, section
- SB.2240** Triticum aestivum, wheat, kernel, l.s
- SB.2305** Cyrtomium, holly fern, c.s of rhizom
- SB.2310** Cyrtomium, holly fern, section
- SB.2386** Oscillatoria, blue-green algae

USED ABBREVIATIONS

USED ABBREVIATIONS	
c.s	cross section
l.s	longitudinal section
w.m	whole mount

histology, zoology and botany set

PB. 5213 FOR EDUCATION

Set with 25 microscopy slides for education: histological samples of mammals, zoology and botany. All microscope slides are supplied in a plastic box for 25 slides. The set contains:

HISTOLOGY

- SH.1006** Elastic cartilage, rabbit
- SH.1040** Smooth muscle, teased preparation, rabbit, l.s+c.s
- SH.1110** Lung with injected blood vessels, rabbit, c.s

- SH.1130** Artery and vein, rabbit, c.s
- SH.1410** Nerve, rabbit, c.s and l.s

ZOOLOGY

- SZ.1535** Euglena virides, a flagellate with eyespot
SZ.1586 Hydra, w.m of tentacles
SZ.1620 Schistosoma Japonicum, female, w.m
SZ.1705 Apis mellifica, honey bee, posterior leg, w.m
SZ.1733 Pieres brassicae, cabbage-white butterfly, part of wing
SZ.1738 Locusta, grasshopper, mouth parts, w.m
SZ.1780 Insects - four types of legs, honey bee, house fly, house mosquito, spider
SZ.1877 Rana sp, frog, blood smear

BOTANY

- SB.2011** Zea mays, corn root tip with hairs, l.s
SB.2020 Helianthus, sunflower, old root, c.s
SB.2025 Monocot/dicot plant roots, zea mays/helantius, c.s
SB.2040 Solanum tuberosum, potato, starch grains
SB.2075 Tilia, lime tree, one year stem, c.s
SB.2091 Hydrilla stem, c.s
SB.2100 Pelargonium hortorum, geranium, stem c.s
SB.2337 Mniium, antheridial branch, l.s
SB.2339 Mniium, archegonial branch, l.s
SB.2373 Coprinus, ink caps mushroom, section of pleus
SB.2380 Spirogyra sp. in conjugation
SB.2420 3 types of bacteria, cocci, bacilli, spirelli

histology, zoology and botany set

PB. 5214 FOR EDUCATION

Set with 25 microscopy slides for education: histological samples of mammals, zoology and botany.

All microscope slides are supplied in a plastic box for 25 slides. The set contains:

HISTOLOGY OF MAMMALS

- SH.1060** Tendon l.s (Dense connective tissue), dog
SH.1075 Skin section with sweat gland, human
SH.1330 Testis rabbit, c.s
SH.1340 Ovary rabbit with developed eggs
SH.1360 Sperm, human, smear
SH.1490 Retina, rabbit, sec

ZOOLOGY

- SZ.1522** Paramecium conjugation w.m
SZ.1524 Paramecium in fission, w.m
SZ.1540 Trachelomonas, a free swimming type euglena
SZ.1585 Hydra with endoderm + ectoderm, c.s
SZ.1710 Apis mellifica - honey bee compound eye, w.m
SZ.1720 Culex pipiens - house mosquito, larva w.m
SZ.1724 Giant chromosomes of salivary gland, w.m
SZ.1810 Mya arenaria, clam gill, c.s
SZ.1860 Lancelet, Section through gonads and gills, c.s

BOTANY

- SB.2015** Ranunculus, buttercup, root c.s
SB.2076 Tilia, lime tree, 1, 2 & 3 year stem, c.s on one slide
SB.2080 Pinus - pine tree, stem l.s
SB.2140 Triticum, wheat, leaf, c.s
SB.2150 Monocot/dicot leaves, zea mays/ligustrum lucidum, c.s
SB.2230 Pinus, pine tree, male (cone) globose fruit l.s
SB.2232 Pinus, pine tree, female (cone) globose fruit l.s
SB.2315 Fern, prothallium w. young sporophyte w.m
SB.2320 Cyrtomium, fern, leaf with sporangia
SB.2384 Volvox sp. w.m

histology, zoology and botany set

PB. 5215 FOR EDUCATION

Set with 25 microscopy slides for education: histological samples of mammals, zoology and botany.

All microscope slides are supplied in a plastic box for 25 slides. The set contains:

HISTOLOGY

- SH.1043** Cardiac muscle, dog, l.s
SH.1070 Squamous epithelium, human, isolated cells from mouth, smear
SH.1315 Kidney rat, sec. cortex & medulla
SH.1420 Cerebellum section, dog
SH.1450 Spinal cord, rabbit, c.s
SH.1470 Taste buds, rabbit, l.s

ZOOLOGY

- SZ.1610** Planaria, flat worm, injected intestinal tube, w.m
SZ.1636 Ascaris megalcephala, horse roundworm, mitosis eggs
SZ.1760 Ctenocephalus canis, dog flea, w.m
SZ.1770 Tetranychus, red spider mite, w.m
SZ.1930 Bird, wing and down feather, section
SZ.1940 Chicken, embryo 48 hours, sagittal section

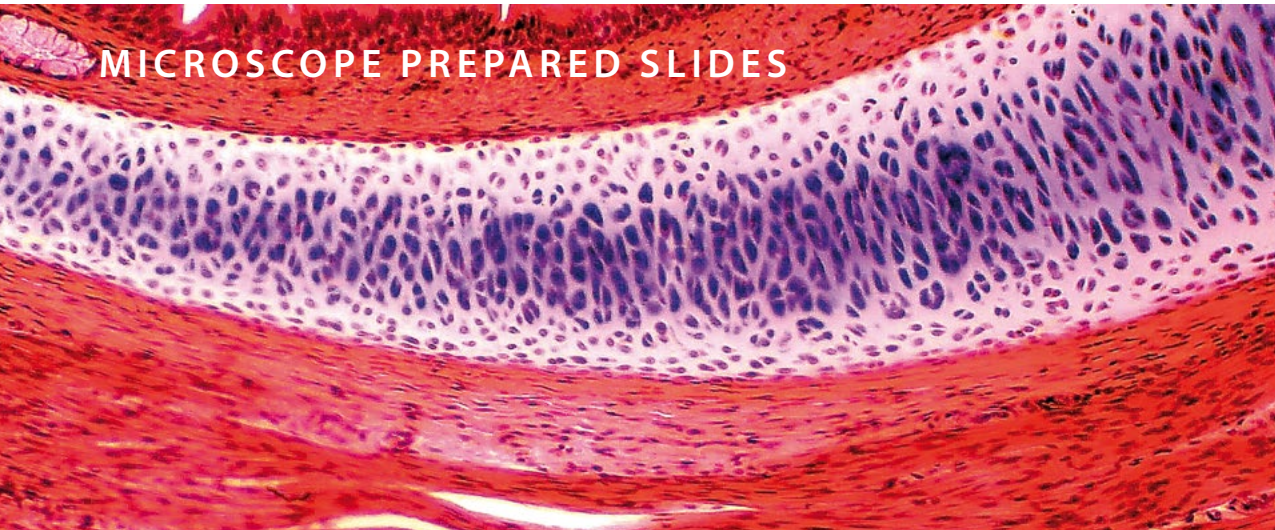
BOTANY

- SB.2090** Hydrilla verticillata, hydrilla stem tip, l.s
SB.2112 Cucurbita, pumpkin, stem, c.s
SB.2135 Nerium oleander, leaf with sunken stomata, c.s
SB.2210 Lilium, lily, anther with mature pollen, c.s
SB.2214 Lilium, lily, pollen, different stages of meiosis
SB.2220 Capsella, shepherds' purse, ovary w. embryo in pre-cotyledon stadium, l.s
SB.2222 Capsella, shepherds' purse, ovary w. embryo in cotyledon stadium, l.s
SB.2234 Pinus, pine tree, pollen, w.m
SB.2330 Marchantia, liverworts, thallus with gemma cup, c.s
SB.2360 Saccaromyces sp., yeast, budding, w.m
SB.2365 Penicillium sp., w.m
SB.2410 Streptococcus lactis, milk bacteria, smear
SB.2415 Bacillus subtilis, hay bacteria, smear

USED ABBREVIATIONS

c.s	cross section
l.s	longitudinal section
w.m	whole mount

MICROSCOPE PREPARED SLIDES



sets with 23 slides for education

mammal histology set

PB.5221 SET FOR EDUCATION

Set with 23 microscopy slides for education: histological samples of mammals.
All microscope slides are supplied in a plastic box for 25 slides. The set contains:

EPITHELIUM AND CONNECTIVE TISSUES

- SH.1001** Loose connective tissue, rabbit
- SH.1005** Hyaline cartilage, rabbit, section
- SH.1011** Hard bone grinding, human, section
- SH.1049** Muscle types, striated, smooth, heart muscle, dog, l.s
- SH.1060** Tendon, dog, l.s
- SH.1070** Squamous epithelium, human, isolated cells from mouth, smear
- SH.1072** Skin section through hair follicle, human
- SH.1078** Stratified flat epithelium, dog, section

RESPIRATORY, BLOOD CIRCULATION AND ENDOCRINE SYSTEM

- SH.1120** Trachea rabbit, c.s
- SH.1130** Artery and vein, rabbit, c.s
- SH.1150** Blood smear, human, Giemsa stained

DIGESTIVE SYSTEM

- SH.1210** Stomach wall, dog, section
- SH.1230** Small intestine, dog, c.s
- SH.1250** Liver, pig, section

URINARY AND GENITAL SYSTEM

- SH.1310** Injected kidney, rabbit, sec
- SH.1330** Testis, rabbit, c.s
- SH.1340** Ovary with developed eggs, rabbit
- SH.1376** Human chromosomes in blood, female

NERVOUS SYSTEM AND SENSORY ORGANS

- SH.1410** Nerve, rabbit, c.s and l.s
- SH.1430** Cerebrum section, dog
- SH.1450** Spinal cord, rabbit, c.s
- SH.1470** Taste buds, rabbit, l.s
- SH.1490** Retina, rabbit, sec

mammal histology set

PB.5222 SET FOR EDUCATION

Set with 23 microscopy slides for education: histological samples of mammals.
All microscope slides are supplied in a plastic box for 25 slides. The set contains:

EPITHELIUM AND CONNECTIVE TISSUES

- SH.1006** Elastic cartilage, rabbit
- SH.1012** Hard bone grinding of rabbit, tooth, de-calcium
- SH.1040** Smooth muscle, teased preparation, rabbit, l.s+c.s
- SH.1043** Cardiac muscle, dog, l.s
- SH.1045** Skeletal muscle, dog, l.s and c.s
- SH.1075** Skin section with sweat gland, human
- SH.1080** Ciliated epithelium, trachea, rabbit

RESPIRATORY, BLOOD CIRCULATION AND ENDOCRINE SYSTEM

- SH.1110** Lung with injected blood vessels, rabbit, c.s
- SH.1140** Pancreas, rabbit, section
- SH.1160** Lymph node, rabbit, section
- SH.1170** Thyroid gland, rabbit, section
- SH.1180** Adrenal gland, rabbit, section

DIGESTIVE SYSTEM

- SH.1220** Oesophagus dog, c.s
- SH.1235** Large intestine, dog, c.s
- SH.1260** Gall bladder, dog, section
- SH.1280** Golgi apparatus in Basal spinal ganglion, dog

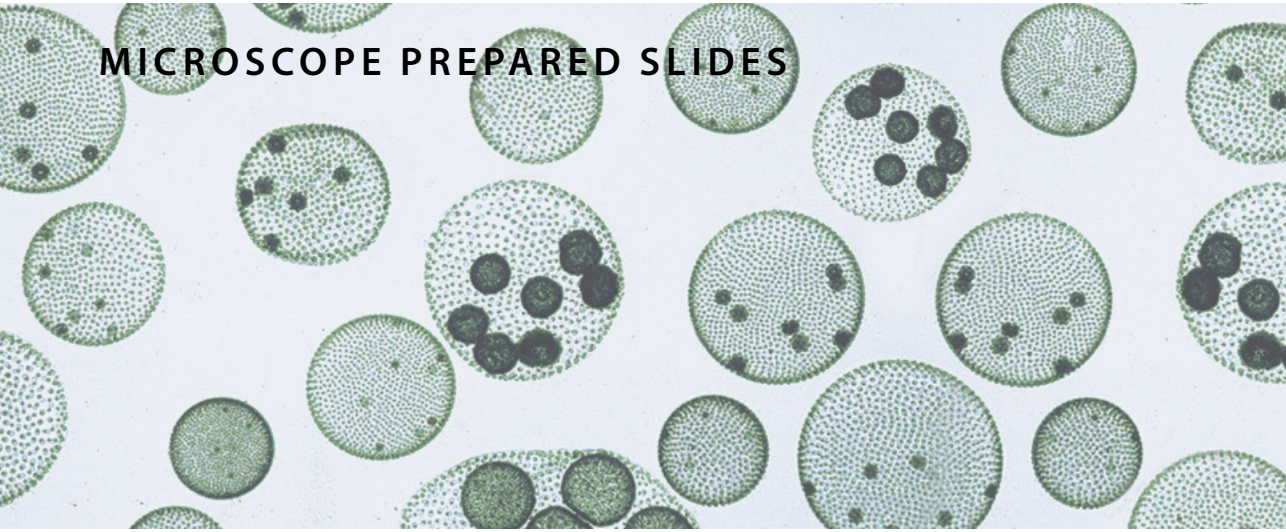
URINARY AND GENITAL SYSTEM

- SH.1315** Kidney, rat, sec. cortex & medulla
- SH.1360** Sperm, human, smear
- SH.1375** Human chromosomes in blood, male
- SZ.1724** Fruit fly, drosophila, giant chromosomes of salivary gland, w.m

NERVOUS SYSTEM AN SENSORY ORGANS

- SH.1415** Motor nerve cells with end plates, rabbit, w.m
- SH.1420** Cerebellum section, dog
- SH.1480** Eyeball section, rabbit, sagittal section

MICROSCOPE PREPARED SLIDES



set for hobby 10 slides

zoology and botany set

PB.5204 SET FOR HOBBY

Set with 10 prepared microscopy slides for hobby: zoology and botany.

All microscope slides are supplied in a plastic box with transparent cover for 25 slides. The set contains:

ZOOLOGY

- SH.1040** Smooth muscle, teased preparation, rabbit, l.s and c.s
- SH.1110** Lung with injected blood vessels, rabbit, c.s
- SZ.1708** Apis mellifica, honey bee, mouth parts
- SZ.1733** Pieris brassicae, cabbage-white butterfly, part of wing
- SZ.1877** Rana sp, frog, blood smear
- SB.2015** Ranunculus, buttercup, root, c.s

BOTANY

- SB.2160** Liliium, lily leaf, c.s
- SB.2222** Capsella, shepherds' purse, ovary w. embryo in cotyledon stadium, l.s
- SB.2374** Aspergillus, brown mold, w.m
- SB.2384** Volvox sp., w.m

USED ABBREVIATIONS

c.s	cross section
l.s	longitudinal section
w.m	whole mount

set for hobby 25 slides

slides of histology, zoology and botany

PB.5218 SET FOR HOBBY

Set with 25 prepared microscopy slides for hobby: zoology and botany.

All microscope slides are supplied in a plastic box with transparent cover for 25 slides. The set contains:

HISTOLOGY OF HUMAN AND MAMMALS

- SH.1072** Skin section through hair follicle, human
- SH.1150** Blood smear human, Giemsa stained
- SH.1415** Motor nerve cells with end plates, rabbit w.m
- SH.1470** Taste buds, rabbit, l.s

BOTANY

- SB.2009** Allium cepa, onion, mitosis root tip, l.s
- SB.2055** Zea mays, corn, stem, cs
- SB.2075** Tilia, lime tree, one year stem, c.s
- SB.2100** Pelargonium hortorum, geranium, stem c.s
- SB.2112** Cucurbita, pumpkin, stem, c.s
- SB.2130** Helianthus, sunflower, leaf, c.s
- SB.2135** Nerium oleander, leaf with sunken stomata, c.s
- SB.2210** Liliium, lily, anther with mature pollen, c.s
- SB.2225** Zea mays, corn, corn seed with embryo, l.s

ZOOLOGY

- SZ.1520** Paramecium, w.m
- SZ.1535** Euglena virides, a flagellate with eyespot
- SZ.1580** Hydra with bud, w.m
- SZ.1630** Taenia, tapeworm cattle, mature proglottid, w.m
- SZ.1635** Ascaris megalocephala, horse roundworm, female and male, c.s
- SZ.1640** Lumbricus, earthworm, c.s
- SZ.1655** Daphnia sp., water flea, w.m
- SZ.1705** Apis mellifica, honey bee, posterior leg, w.m
- SZ.1710** Apis mellifica, honey bee compound eye, c.s
- SZ.1719** Musca domestica, house fly, wing w.m
- SZ.1722** Culex pipiens, house mosquito, female, mouth parts
- SZ.1724** Fruit fly, drosophila, giant chromosomes of salivary gland, w.m

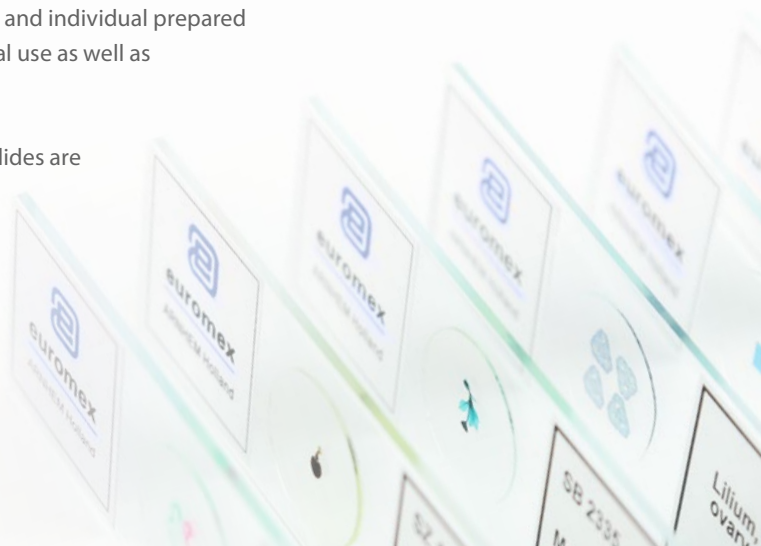
MICROSCOPE PREPARED SLIDES



individual euoslides prepared slides

Euromex supplies complete sets and individual prepared microscope slides for educational use as well as for the hobby market

These high quality microscope slides are usually supplied directly from stock, at the very best prices. The slides on the next page are separately available



HOW TO ORDER INDIVIDUAL EUOSLIDES

- Minimum purchase quantity is 10 pieces of the same slide
- The individual slides always have to be ordered together with a storage box (e.g. PB.5181 for 25 slides)

individual euoslides for histology

These histological microscope slides consist of sample of epithelium and connective tissues, the respiratory system, blood circulation, endocrine system, digestive system, urinary and genital systems, nervous system and sensory organs

EPITHELIUM AND CONNECTIVE TISSUES

- SH.1001** Loose connective tissue, rabbit
- SH.1005** Hyaline cartilage rabbit, section
- SH.1006** Elastic cartilage, rabbit
- SH.1011** Hard bone grinding, human, section
- SH.1012** Hard bone grinding of rabbit, tooth, decalcium
- SH.1040** Smooth muscle, teased preparation, rabbit, l.s and c.s
- SH.1045** Skeletal muscle, dog, l.s and c.s
- SH.1049** Muscle types, striated, smooth, heart muscle, dog, l.s
- SH.1060** Tendon, dog, l.s
- SH.1072** Skin section through hair follicle, human
- SH.1078** Stratified flat epithelium, dog, section
- SH.1080** Ciliated epithelium, trachea, rabbit

RESPIRATORY, BLOOD CIRCULATION AND ENDOCRINE SYSTEM

- SH.1110** Lung with injected blood vessels, rabbit, c.s
- SH.1120** Trachea, rabbit, c.s
- SH.1130** Artery and vein, rabbit, c.s
- SH.1140** Pancreas, rabbit, section
- SH.1150** Blood smear, human, Giemsa stained
- SH.1160** Lymph node, rabbit, section

DIGESTIVE SYSTEM

- SH.1220** Oesophagus, dog, c.s
- SH.1230** Small intestine, dog, c.s
- SH.1250** Liver, pig, section

URINARY AND GENITAL SYSTEM

- SH.1310** Injected kidney, rabbit, section
- SH.1330** Testis, rabbit, c.s
- SH.1340** Ovary with developed eggs, rabbit
- SH.1360** Sperm, human, smear

NERVOUS SYSTEM AND SENSORY ORGANS

- SH.1410** Nerve, rabbit, c.s and l.s
- SH.1415** Motor nerve cells with end plates, rabbit, w.m
- SH.1420** Cerebellum section, dog
- SH.1450** Spinal cord, rabbit, c.s
- SH.1470** Taste buds, rabbit, l.s
- SH.1490** Retina, rabbit, section

USED ABBREVIATIONS

c.s	cross section
l.s	longitudinal section
w.m	whole mount

individual euroslides for zoology

This series of zoology microscopy slides consists of samples with single-cell organisms (protozoa), coelenterate, worms (helminthes), Crustaceans (crustaceae), insects and amphibians

PROTOZOA

- SZ.1510** Amoeba proteus, w.m
- SZ.1520** Paramecium, w.m
- SZ.1522** Paramecium in conjugation w.m

- SZ.1535** Euglena virides, a flagellate with eyespot
- SZ.1540** Trachelomonas, a free swimming type euglena

COELENTERATA

- SZ.1580** Hydra with bud, w.m

HELMINTHES

- SZ.1630** Taenia, tapeworm pig, mature proglottid, w.m
- SZ.1635** Ascaris megalcephala, horse roundworm, female + male c.s
- SZ.1636** Ascaris megalcephala, horse roundworm, mitosis eggs
- SZ.1640** Lumbricus, earthworm, c.s

CRUSTACEANS

- SZ.1655** Daphnia sp., water flea, w.m

INSECTS

- SZ.1705** Apis mellifica, honey bee, posterior leg, w.m
- SZ.1708** Apis mellifica, honey bee, mouth parts
- SZ.1710** Apis mellifica, honey bee compound eye, c.s
- SZ.1719** Musca domestica, house fly, wing, w.m
- SZ.1720** Culex pipiens, house mosquito, larva, w.m
- SZ.1722** Culex pipiens, house modquito, female, mouth parts
- SZ.1724** Drosophila, fruit fly, giant chromosomes of salivary gland, w.m
- SZ.1730** Pieres brassicae, cabbage-white butterfly, mouth, w.m
- SZ.1733** Pieres brassicae, cabbage-white butterfly, part of wing
- SZ.1738** Locusta, grasshopper, mouth parts, w.m
- SZ.1760** Ctenocephalus canis, dog flea, w.m
- SZ.1780** Insects- four types of legs, honey bee, house fly, house modquito, spider

AMPHIBIANS

- SZ.1877** Rana sp, frog, blood smear
- SZ.1880** Frog uncleaved egg, c.s
- SZ.1881** Frog egg, two cells stadium, c.s
- SZ.1883** Frog egg, advanced cleavage c.s
- SZ.1885** Frog egg, blastula phase, c.s
- SZ.1887** Frog egg, early gastrula phase, c.s
- SZ.1889** Frog egg, advanced gastrula phase, c.s

individual euroslides for botany

This series of botanic microscopy slides consists of samples of sections of roots, stems, leaves, flowers, fruits and seeds, ferns and mosses, fungi, algae and bacteria

ROOTS

- SB.2006** Allium cepa, onion, scale epidermis, w.m
- SB.2009** Allium cepa, onion, mitosis root tip, l.s
- SB.2015** Ranunculus, buttercup, root, c.s

- SB.2020** Helianthus, sunflower, old root, c.s
- SB.2025** Monocot/dicot plant roots, zea mays/helantius, c.s
- SB.2040** Solanum tuberosum, potato, starch grains

STEMS

- SB.2055** Zea mays, corn, stem, c.s
- SB.2060** Triticum aestivum, wheat, stem, c.s
- SB.2070** Helianthus, sunflower, young stem, c.s
- SB.2076** Tilia, lime tree, 1, 2 and 3 year stems on one slide, c.s
- SB.2095** Monocot/dicot stem, corn/pumpkin, c.s
- SB.2100** Pelargonium hortorum, geranium, stem, c.s
- SB.2105** Hibiscus, young stem, c.s
- SB.2115** Sambucus, elderberry or Morus Alba, mulberry, stem with cork cambium and lenticels, c.s

LEAVES

- SB.2130** Helianthus, sunflower, leaf, c.s
- SB.2135** Nerium oleander, leaf with sunken stomata, c.s
- SB.2140** Triticum, wheat, leaf, c.s
- SB.2150** Monocot/dicot leaves, zea mays/ligustrum lucidum, c.s
- SB.2160** Lilium, lily leaf, c.s

FLOWERS, FRUITS AND SEEDS

- SB.2205** Monocot/dicot flower, zea mays/ranunculus, c.s
- SB.2210** Lilium, lily, anther with mature pollen, c.s
- SB.2212** Lilium, lily, ovary, c.s
- SB.2214** Lilium, lily, pollen, different stages of meiosis
- SB.2220** Capsella, shepherds' purse, ovary w. embryo in pre-cotyledon stadium, l.s
- SB.2222** Capsella, sheperd's purse, ovary w. embryo in cotyledon stadium, l.s
- SB.2225** Zea mays, corn seed with embryo, l.s
- SB.2232** Pinus, pine tree, female (cone) globose fruit, l.s
- SB.2240** Triticum aestivum, wheat, kernel, l.s

FERNS AND MOSSES

- SB.2315** Cyrtomium, holly fern, prothallium with young sporophyt, w.m
- SB.2337** Mnium, antheridial branch, l.s
- SB.2339** Mnium, archegonial branch, l.s

FUNGI

- SB.2360** Saccaromyces sp., yeast, budding, w.m
- SB.2365** Penicillium sp., w.m
- SB.2373** Coprinus, ink caps mushroom, section of pileus
- SB.2374** Aspergillus, brown mold, w.m

ALGAE

- SB.2377** Diatoms, w.m
- SB.2380** Spirogyra sp. in conjugation
- SB.2384** Volvox sp., w.m

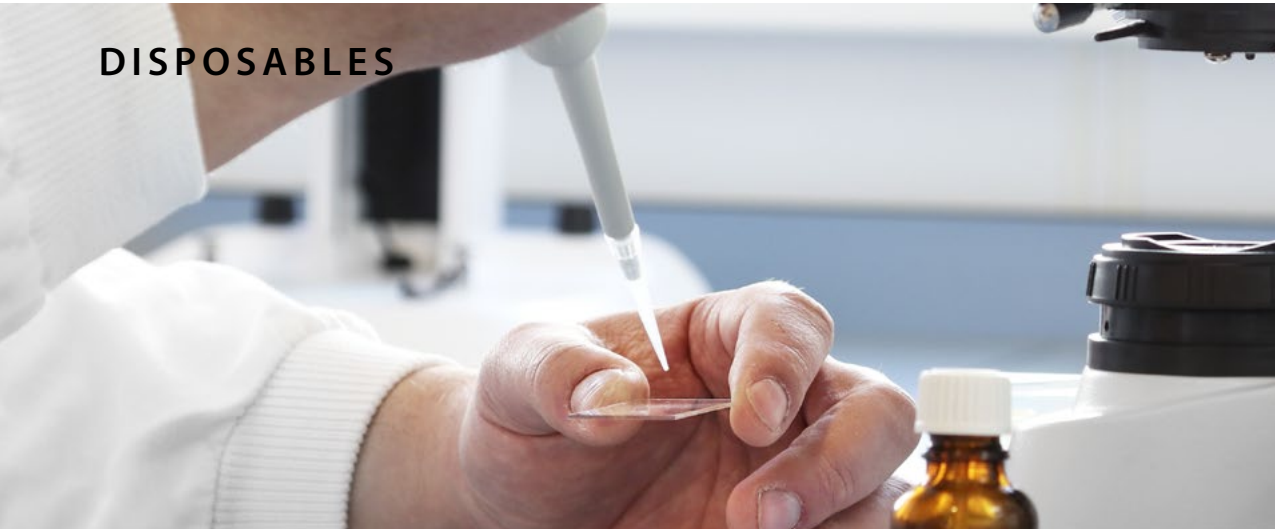
BACTERIA

- SB.2420** 3 types of bacteria, cocci, bacilli, spirelli

HOW TO ORDER INDIVIDUAL EUROSLIDES

- Minimum purchase quantity is 10 pieces of the same slide
- The individual slides always have to be ordered together with a storage box (e.g. PB.5181 for 25 slides)

DISPOSABLES



disposables

MICROSCOPE SLIDES AND COVER GLASSES

- PB.5150** Microscope slides 76 x 26 mm, half white glass, cut edges. 50 pieces
- PB.5155** Microscope slides 76 x 26 mm white glass, ground edges. 50 pieces
- PB.5157-W** Microscope slides 76 x 26 mm, ground white frosted side, 50 pieces
- PB.5157-B** Microscope slides 76 x 26 mm, ground blue frosted side, 50 pieces
- PB.5160** Microscope slides 76 x 26 mm with concavity, ground edges. 10 pieces
- PB.5165** Cover glasses 18 x 18 mm, thickness 0.13-0.17 mm. 100 pieces
- PB.5168** Cover glasses 22 x 22 mm, thickness 0.13-0.17 mm. 100 pieces
- PB.5170** Cover glasses Ø18 mm, thickness 0.13-0.17 mm. 100 pieces

MICROSCOPE SLIDE BOXES

- PB.5181** Black plastic slide box for 25
- PB.5180** Wooden slide box for 25 slides. White interior with index
- PB.5185** Black plastic slide box for 100 slides



● PB.5150

● PB.5180

● PB.5168 / PB.5170



● PB.5276



● PB.5280 / PB.5274



● PB.5210

● PB.5245

STAINS

Staining enables observation of cells and tissues of low contrast. Euromex offers a range of common stains



MISCELLANEOUS ACCESSORIES

- PB.5200** Staining trough for 10 slides
- PB.5210** Fine pointed brush
- PB.5245** Lens paper. 100 sheets
- PB.5250** Solid paraffin. Melting point 60°C, 200 grams
- PB.5255** Immersion oil, refractive index nD = 1.482. (25 ml)
- PB.5265** Entellan, quick drying Canada balsam. In bottle (25 ml)
- PB.5274** Isopropyl alcohol 99%. In bottle (200 ml)
- PB.5277** Formalin 40%, fixing agent. In bottle (200 ml)
- PB.5275** Cleaning kit: lens cleaning fluid, lint free lens tissue, brush, air blower, cotton swabs
- PB.5276** Microscope maintenance and servicing kit, 16pcs: cleaning brush, 6 pcs screwdriver set, air blower, 3 pcs Allen key, 1.5, 2, 2.5 mm, lens cleaning fluid 20 ml, cleaning cloth 140 x 140 mm, 100 pcs lens tissue sheets, tube of maintenance grease, 10 ml bottle of oil, packed in a nice toolbox

(DISSOLVED) STAINS

Supplied in 25 ml bottles

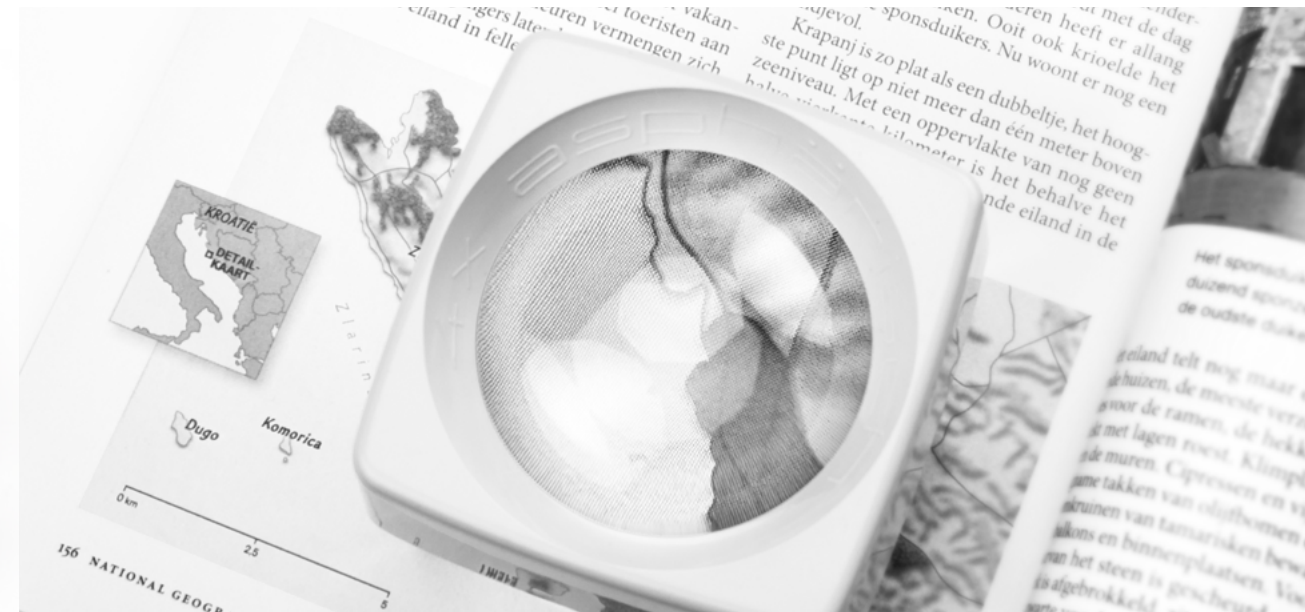
- PB.5280** Azo carmine-G. Biological stains for animal tissues. Also suitable for bacteria pigmentation
- PB.5283** Eosin yellow. Stain for general overall-view coloring
- PB.5286** Haematoxylin according to Ehrlich. General purpose nuclear stain
- PB.5289** Astra Blue. Stain for vegetal cells. To be used in combination with safranin
- PB.5292** Orange-G, stain for most elementary structures of animal tissues
- PB.5295** Safranin. A general stain for showing nuclei and cellulose walls. To be used in combination with Astra Blue
- PB.5297** Methylene Blue. Biological and bacteriological stain
- PB.5300** Analin Blue, to be used as third color for Azo pigmentation
- PB.5305** Fuchsin. For staining bacilli in tissue

other products

optical instruments



optical instruments



Euromex offers a large range of optical products for a wide variety of applications in different fields

Our high-quality magnifiers, refractometers and other optical instruments all ensure an excellent optical quality and unmatched durability

- MAGNIFIERS & MEASURING MICROSCOPES • PAGE 382**
- REFRACTOMETERS • PAGE 386**
- POLARIMETERS • PAGE 393**
- SPECTROSCOPES • PAGE 394**
- PATHOLOGY SCANNER • PAGE 396**

MAGNIFIERS & MEASURING MICROSCOPES

Magnifiers are widely used by biologists, jewelers, watchmakers and philatelists to accurately observe all details of the object



handheld magnifiers and magnifiers with handles

- PB.5020** Magnifier with handle 4x, lens Ø 50 mm and handle Ø 8 mm. Fits on PB.5022
- PB.5021** Magnifier with handle 10x, aplanatic lens Ø 25 mm and handle Ø 8 mm. Fits on PB.5022
- PB.5022** Heavy stand with adjustable cross clamp, base Ø 70 mm. Weight 450 grams. For PB.5022 and PB.5021
- PB.5026** Handheld magnifier 10x with illuminator, aplanatic lens Ø 28 mm. Field of view 30 mm. Supplied without batteries



FOLDING MAGNIFIERS

- PB.5016** Aplanatic magnifier 6x, doublet.
Lens Ø 20 mm. Field of view 25 mm
- PB.5018** Aplanatic magnifier 15x, doublet.
Lens Ø 18 mm. Field of view 14 mm
- PB.5032** Achromatic magnifier 10x, triplet.
Lens Ø 20 mm. Field of view 15 mm
- PB.5033** Achromatic magnifier 20x, triplet.
Lens Ø 20 mm. Field of view 8 mm



● PB.5032

- PB.5036** Aplanatic magnifier 10x, doublet.
Lens Ø 20 mm. Field of view 20 mm
- PB.5037** Achromatic diamond magnifier 10x with four lenses Ø 21 mm. Field of view 25 mm



● PB.5016

FOLDING MAGNIFIERS WHITE LED ILLUMINATION

- PB.5034-LED** Achromatic magnifier 10x triplet.
Lens Ø 21 mm. White LED illumination
- PB.5018-LED** Achromatic magnifier 15x triplet.
Lens Ø 21mm. White LED illumination
- PB.5033-LED** Achromatic magnifier 20x, triplet.
Lens Ø 21 mm. White LED illumination
- PB.5035-LED** Achromatic magnifier 30x triplet.
Lens Ø 21 mm. White LED illumination



● PB.5034-LED

FOLDING MAGNIFIERS WHITE LED AND UV ILLUMINATION

- PB.5034-LUV** Achromatic magnifier 10x triplet.
Lens Ø 21 mm. White LED and UV illumination
- PB.5018-LUV** Achromatic magnifier 15x triplet.
Lens Ø 21mm. White LED and UV illumination
- PB.5033-LUV** Achromatic magnifier 20x, triplet.
Lens Ø 21 mm. White LED and UV illumination
- PB.5035-LUV** Achromatic magnifier 30x triplet.
Lens Ø 21 mm. White LED and UV illumination



● PB.5034-LUV

MAGNIFIERS & MEASURING MICROSCOPES

Measuring microscopes are built with a microscope objective for magnifications from 20 to 100x times



magnifiers & measuring microscopes

TABLE MAGNIFIERS

- PB.5039** Table magnifier, 15x magnification.
Glass achromatic lens Ø 19 mm, field of view 15 mm
- PB.5041** Table magnifier, 10x magnification.
Glass lens Ø 26 mm, field of view 25 mm
- PB.5043** Table magnifier, 4x magnification.
Plastic lens Ø 57 mm, field of view 55 mm
- PB.5040** Table magnifier, 8x magnification.
Plastic lens Ø 23 mm, field of view 30 mm.
10mm/100 reticle



MISCELLANEOUS MAGNIFIERS

- PB.5030** Dual sliding magnifier with 3x and 6x magnification.
Lens aperture 23 x 23 mm. Fields of view 50 x 50 mm and 25 x 25 mm. Plastic housing
- PB.5049** Linen tester folding magnifier with 6x aplanatic lens.
A 25 x 25 mm base with millimeter scale. Metal casing lacquered in black. Supplied with plastic case



MEASURING MAGNIFIERS WITH RETICLE

- PB.5044** Measuring magnifier 7x.
Eyepiece Ø 18 mm. Field of view 24 mm.
Measuring scale 10-0-10 mm divided into 0.1 mm and crosshairs
- PB.5045** Measuring magnifier 7x.
Eyepiece Ø 18 mm. Field of view 24 mm.
Measuring scale 10-0-10 mm divided into 0.1 mm and crosshairs. With 5 interchangeable scales for angle, thickness and linear measurements
- PB.5046** Measuring magnifier 10x.
Eyepiece Ø 20 mm. Field of view 35 mm.
Measuring scale 15-0-15 mm with 0.1, 0.2 and 0.5 mm graduations
- PB.5048** Measuring magnifier 4x.
Eyepiece Ø 30 mm. Field of view 65 mm.
Measuring scale 25-0-25 mm with 0.1, 0.2 and 0.5 mm graduations
- PB.5047** Measuring magnifier 10x.
Eyepiece Ø 25 mm. Field of view 30 mm.
Measuring scale 15-0-15 mm with 0.1, 0.2 and 0.5 mm graduations. White LED-illumination



MEASURING MICROSCOPES

- PB.5008** Measuring microscope 20x with LED illumination.
Measuring scale 7.2 mm with 0.1 mm graduation
- PB.5010** Measuring microscope 40x with LED illumination.
Measuring scale 3 mm with 0.05 mm graduation
- PB.5012** Measuring microscope 60x with LED illumination.
Measuring scale 1.75 mm with 0.02 mm graduation
- PB.5014** Measuring microscope 100x with LED illumination.
Measuring scale 1.1 mm with 0.01 mm graduation



refractometers



refractometers



Refractometers are used for the identification of substances and concentration measurements of fluids. Because the refractive index (R.I.) of a solution is proportional to the concentration, it is easy to identify the substance or to measure the purity and concentrations of solutions

The Euromex refractometers are calibrated at 20° Celsius. Most refractometers are equipped with Automatic Temperature Compensation (ATC)

REFRACTOMETERS • PAGE 374
ABBE REFRACTOMETER • PAGE 377

REFRACTOMETERS

The Euromex refractometers are ideal for determining concentrations, testing and measuring of fluids



● Analog refractometer

● Digital refractometer

refractometers

handheld and table models

A refractometer is an instrument that measures the refractive index of a liquid or refractive material such as sugar concentrations in fruits, juices, soft drinks, energy drinks, wines or must, liquors, jams, honey, industrial lubricants, antifreeze, ethanol, battery acids, salt, propylene glycol, ethylene glycol solutions

A few drops of the liquid that needs to be examined are gently deposited on a measuring prism and covered with a cover-glass. The rays of the light source (ambient light, built-in LED light source or external cold-light source) will be bent (refracted) in function of the composition of the liquid under observation

This results in a shadow line between a dark and a light portion. The measured value can be directly read through a focusable eyepiece on a refraction index scale and/or on a specific built-in scale(s) of the refractometer in Brix, Oechsle, Babo units or % volume, specific gravity, protein in serum or in °C

Euromex offers portable or handheld refractometers, analogue or digital and laboratory Abbe refractometer products used in wine making, distilling, food processing, canning, beekeeping, brewing, pharmaceutical, manufacturing, machining, automotive industries

Most of the refractometers have also an A(utomated) T(emperature) C(ompensation) mechanism in order to compensate for temperature variations. Calibration can be verified with a calibration fluid (in most cases distilled water) and adjusted by a screw if needed

Application	Art no	Range	Accuracy	Remarks	ATC	Handheld model	Table model	Analog	Digital
Concentrations of sugar in marmalades, fruits, syrups, wine and monitoring of oil emulsions	RF.6190	0-90 Brix	0.2	3 scales: 0-42 / 42-71 / 71-90 Brix	•	•	•	•	•
	RF.6510	0 - 10 Brix	0.1		•	•	•	•	•
	RF.6520	0 - 20 Brix	0.1		•	•	•	•	•
	RF.6532	0 - 32 Brix	0.2		•	•	•	•	•
	RF.6562	28 - 62 Brix	0.2		•	•	•	•	•
	RF.6580	0 - 80 Brix	0.5		•	•	•	•	•
	RF.6582	45 - 82 Brix	0.5		•	•	•	•	•
	RF.6592	58 - 92 Brix	0.2		•	•	•	•	•
	RF.6635	0 - 150 °Oe	1	Oechsle units	•	•	•	•	•
		0 - 35 Brix	0.2	Sugar concentration					
RD.6735	0 - 27 °KMW	0.2	Babo units						
	0 - 22 %	0.2	% volume						
RD.6645	0 - 37 CNM	0.5							
	0 - 150 °Oe	1		•	•	•	•	•	
RD.6666	0 - 35 Brix	0.1							
	0 - 25 °KMW	0.1							
RD.6667	0 - 22 %	0.1							
	0 - 45 Brix	0.1		•	•	•	•	•	
RD.6644	1.33 - 1.41 R.I.	0.0003							
	0 - 80 Brix	0.5		•	•	•	•	•	
RF.6642	1.33 - 1.51 R.I.	0.0005							
	58 - 92 Brix	0.2		•	•	•	•	•	
RF.6644	1.43 - 1.52 R.I.	0.0003							
	13 - 25 %	0.1	Honey moisture	•	•	•	•	•	
RF.6644	58 - 92 Brix	0.5		•	•	•	•	•	
	38 - 43 °Be	0.5							
RF.6627	12 - 27 %	1	Water						
	0 - 25 %	0.2	% volume	•	•	•	•	•	
RF.6610	0 - 40 Brix	0.2							
	0 - 20 Baume	0.2							
RF.6628	0 - 100 ‰	1		•	•	•	•	•	
	0 - 10 Brix	0.1							
RD.6728	1.00 - 1.07 R.I.	0.005							
	0 - 28 %	0.2		•	•	•	•	•	
RD.6728	0 - 28 %	0.1	% NaCl	•	•	•	•	•	
	0 - 45 Brix	0.1							
RD.6728	1.33 - 1.41 R.I.	0.0003	Only for sugar/salt						

Application	Art no	Range	Accuracy	Remarks	ATC	Handheld model	Table model	Analog	Digital
Clinical applications Proteins	RF.6612	0 - 12 g/dl	0.2	Proteins in serum	•	•	•		
		1.00 - 1.05 sg	0.002	Urine specific gravity					
		1.333 - 1.360 R.I	0.0003						
	RF.6614	2 - 14 g/dl	0.1	Proteins in serum	•	•	•		
		1.00 - 1.06 sg	0.001	Urine specific gravity (dog)					
		1.00 - 1.06 sg	0.001	Urine specific gravity (cat)					
	RD.6712	0 - 12 g/dl	0.1	Proteins in serum	•	•			•
		1.00 - 1.05 sg	0.001	Urine specific gravity					
		1.33 - 1.39 R.I.	0.0001						
	RD.6714	0 - 14 g/dl	0.1	Proteins in serum (dog)	•	•			•
			0.1	Proteins in serum (cat)					
		1.00 - 1.06 sg	0.001	Urine specific gravity (dog)					
1.00 - 1.06 sg		0.001	Urine specific gravity (cat)						
1.33 - 1.39 R.I.		0.0001							
Battery Acid/Coolant	RF.6650	1.10 - 1.40 sg	0.01	Battery fluids	•	•	•		
		-50 / 0 °C	5	Ethylene glycol G13					
		-50 / 0 °C	5	Propylene glycol G11/12					
		-40 / 0 °C	10	windshield washer fluid					
	RD.6730	1.0 - 1.50 sg	0.01	Battery fluids	•	•	•	•	
		-50 / 0 °C	0.5	Ethylene glycol G13					
		-50 / 0 °C	0.5	Propylene glycol G11/12					
		-40 / 0 °C	0.5	windshield washer fluid					
Identification of precious stones	RF.6381	1.30 - 1.81 R.I.	0.01				•	•	

ACCESSORIES AND SPARE PARTS



● RF.6381

- RF.5295** Test slide 78.8 Brix for calibration of RF.5190
- RF.5384** 5 ml immersion nD 1.79 liquid for RF.5381
- LE.5209** 20 W 12 V cold light source with single fiber light conductor (for Abbe refractometer 98.490)
- SL.5208** Spare 20 W 12 V halogen bulb
- 98.492** Thermometer 0-50° C
(for Abbe refractometer 98.490)
- 98.496** Calibration slide nD 1.5163
(for Abbe refractometer 98.490)



● 98.490

Abbe laboratory refractometer substance identification

The Abbe laboratory refractometer is a bench-top instrument for high-precision measurements of an index of refraction and suitable for determination of the refractive index of solid samples, such as glass, plastics, and polymer films

The instrument is supplied with a thermometer and water connection to control fluid temperatures. Also equipped with a Brix and a refraction index scale and supplied with a test plate

Capable of measuring all kinds of concentrations and identifying several types of substances

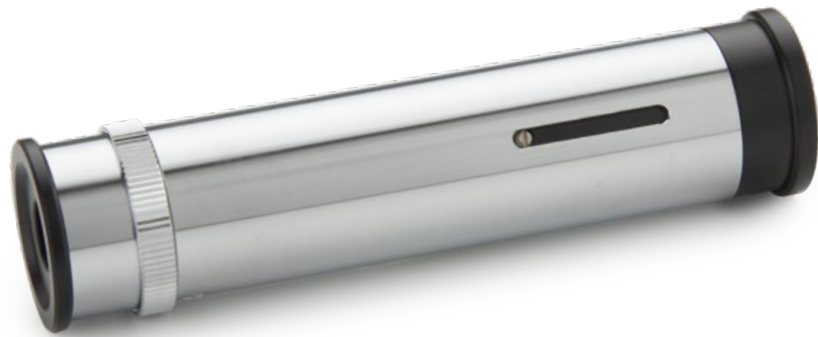
The Abbe refractometer can be connected to a water bath for measuring at a controlled temperature. During the use of this type of refractometer the use of a cold light source such as the LE.5209 is recommended. This Abbe table refractometer has scales for measurement of sugar concentrations and refractive indices. Delivered with carrying case, digital thermometer, calibration plate and adjusting tool



Substance identification of sugar concentration

MODEL	Scales	Accuracy	Remarks	Analog
98.490	0-95 Brix	0.5 Brix	Abbe table refractometer without light source	•
	1.300-1.700 RI	0.0002 RI		

polarimeters & spectrosopes



polarimeters & spectrosopes

A polarimeter measures the rotation angle of polarized light traveling through an optically active substance.

The rotation angle of the polarization plane of linear polarized light is different for each optical active substance as described in the Law of Biot

Polarimetry is a non-destructive test method for measuring optical activity of organic and inorganic substances. It is very useful to analyze expensive non-reproducible samples. Polarimeters are extensively used for quality and process control in research laboratories in the chemical and food industry

Spectrosopes are used to visualize the light spectrum of light sources

POLARIMETERS



polarimeter

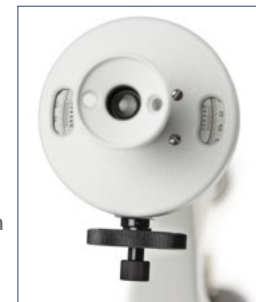
● 99.400-LED

Polarimeters are suitable for fast and accurate measurements of sugars, glucose, perfume, chemical substances and medical drugs. Equipped with a Glan Thomson prism and Laurent Quartz plate, a built-in 230 V 589.3 nm sodium lamp or a high-power LED with 589.3 nm filter

HIGHLIGHTS

- The polarimeters are delivered with 100 and 200 mm observation tubes
- Equipped with a built-in 230 V 589.3 nm sodium lamp or high-power LED with 589.3 nm filter
- Fast and accurate

Polar scale, range $\pm 180^\circ$ with 0.1° readings. Supplied with observation tubes of 100 mm and 200 mm. Bright light measuring field permits reading with accuracy of 0.1° with aid of Vernier



ACCESSORIES FOR 99.400

- 99.410** Measuring tube, 100 mm long
- 99.415** Measuring tube, 200 mm long
- 99.430** Cover glass for measuring tube $\varnothing 15$ mm
- 99.431** Rubber ring (for 99.430)
- 99.197** Spare sodium 589.3 nm lamp

MODEL	Scales	Accuracy	Observation tubes 100 and 200 mm	230 V sodium lamp with 589.3 nm filter	230 V High power LED with 589.3 nm filter
99.400	$\pm 180^\circ$	$\pm 0.1^\circ$ polar scale	•	•	
99.400-LED	$\pm 180^\circ$	$\pm 0.1^\circ$ polar scale	•		•

SPECTROSCOPES

Euromex handheld spectrosopes are used for optical experiments in natural sciences, industry and education



handheld spectrosopes

SP.5200

Handheld spectroscope with adjustable slit, comparison prism, mirror, five glass mini-cuvettes and wavelength scale 400 - 700 nm with 589 nm indication. Divisions 10 nm

- Direct vision type
- Adjustable eye lens
- Adjustable slit 0 - 1 mm
- Angle dispersion C - F 7°
- Linear dispersion 60 mm
- Comparison prism for comparison between products
- Mirror
- 5 Glass cuvettes
- Wavelength scale 400 - 700 nm



• SP.5200

MODEL	Dimensions	Weight (grams)	Adjustable slit	Comparison prism	Angle dispersion	Linear dispersion	Wavelength scale	589 nm indication	With 5 glass cuvettes
SP.5200	h50x115xp23	250	0-1 mm	•	C-F 7°	60 mm	•	•	•

SP.5155

Handheld spectroscope with adjustable slit and comparison prism, mirror and five glass cuvettes

- Direct vision type
- Adjustable eyelens
- Adjustable slit 0 - 1 mm
- Angle dispersion C - F 7°
- Linear dispersion 60 mm
- Comparison prism
- Mirror
- five Glass cuvettes



• SP.5155

MODEL	Dimensions	Weight (grams)	Adjustable slit	Comparison prism	Angle dispersion	Linear dispersion	Wavelength scale	589 nm indication	With 5 glass cuvettes
SP.5155	h45x1105xd23	125	0-1 mm	•	C-F 7°	60 mm	--	--	•

SP.5150

Handheld spectroscope with adjustable slit from 0 tot 1 mm

- Direct vision type
- Adjustable eye lens
- Adjustable slit 0 - 1 mm
- Angle dispersion C - F 7°
- Linear dispersion 60 mm



• SP.5150

MODEL	Dimensions	Weight (grams)	Adjustable slit	Comparison prism	Angle dispersion	Linear dispersion	Wavelength scale	589 nm indication	With 5 glass cuvettes
SP.5150	90 x18 mm Ø	92	0-1 mm	--	C-F 7°	60 mm	--	--	--

SP.5100

Handheld spectroscope with fixed slit

- Direct vision type
- Adjustable eye lens
- Fixed slit
- Angle dispersion C - F 6°
- Linear dispersion 40 mm



• SP.5100

MODEL	Dimensions	Weight (grams)	Adjustable slit	Comparison prism	Angle dispersion	Linear dispersion	Wavelength scale	589 nm indication	With 5 glass cuvettes
SP.5100	90 x18 mm Ø	72	--	--	C-F 6°	40 mm	--	--	--

PATHOLOGY SCANNER



● PS.1001

PathoScan

10,000 DPI slide scanner

In pathology, histology and other medical fields, medical professionals look at tissue slides under a microscope. Often the tissues are stained to highlight certain structures enabling the specialists to perform their analysis. Euromex offers a digital solution for these specialists

The PathoScan digital microscope slide scanner produces quick, reliable and high-resolution digital images of cells. Once the slides are digitized there are numerous advantages against classic microscopy

The users now have the ability to upload the scanned images onto a network for sharing and collaboration among colleagues, resolving in better and faster diagnostics.

The scanned slides can also be used for education purposes. Digitized slides also can be analyzed using the specialists own dedicated software. The software can be used to automate the manual counting of structures, or for classifying the condition of tissue such as is used for grading tumors

PATHOVIEW SCANNING SOFTWARE

- Easy Preview and Scan Slide
- Quick setting exposure time
- Scan resolution from 1,000~10,000 dpi
- File format: TIF and JPEG
- Images can also be used with microscopy analysis software

PS.1001
70 (h) x 150 (w) x 260 mm (d) | 1.0 kg

HIGHLIGHTS

- Supports standard microscopy slide 76 x 26 mm
- From basic histology research to Life science education
- Scans full slide
- Simple user interface
- Superior quality, 3-line CCD sensor
- 48-bit, 10,000 dpi, 5 µm resolution
- Industry-leading scanning speeds
- Holder for two slides included
- Polarization attachment available



● PS.1001 / PS.3001

SPECIFICATION

Resolution	10,000 x 10,000 dpi
Scan mode	Color
Dynamic Range	3.8
Scanning Area	24.3 x 36.5 mm (H x W)
Scanning medium	76 x 26 mm slides
File Format	Saving in JPG, TIFF format
Light Source	Transmission white LED
Operating System	Windows 7/8/10 Intel-based Mac OS X 10.5/10.6 /10.7/10.8
Power supply	100- 240 AC Adapter, 12 V 1.5 A
Supplied with	Double slide holder, 100-240 V power supply, USB-2.0 cable, PathoView scanning software and user manual
Model	PS.1001

MODELS

PS.1001	PathoScan 10,000 DPI slide scanner
PS.3001	Double slide holder

choose the right euromex microscope

Euromex offers a large range of microscope series. Selecting the right microscope for your application might be challenging and time consuming.

To simplify this process we have listed our recommended models for most common applications in education, laboratories and industry

EDUCATION	FIELD OF APPLICATION	RECOMMENDED MODELS
• botany	Study of plants as branch of biology. Plant anatomy and morphology. Plant genetics and ecology. Plant biochemistry	MicroBlue, EcoBlue, BioBlue, BioBlue.Lab, AP series, EduBlue, StereoBlue
• digital imaging	Observation and perform analysis on microscope images, storage and share captured and videos	CMEX cameras, CCD cameras, HD cameras, EduPad, MacroZoom
• electronics	Development, production, assembling and inspection of electronic components or circuitry	bScope® (materials), EduBlue, StereoBlue, NexiusZoom, MacroZoom
• entomology	Study of insects as branch of zoology. Identification and classification of beetles, flies, termites, moths and butterflies, bees, ants, wasps	MicroBlue, EcoBlue, BioBlue, BioBlue.Lab, AP series, EduBlue, StereoBlue, MacroZoom
• geology, mineralogy	Earth Science; Study of solids, rocks and processes. Identification and classification of rocks and minerals	EcoBlue (polarization), BioBlue (polarization), AP series, EduBlue, StereoBlue
• geology, petrology	Identification by means of petrographic microscope	EcoBlue (polarization), BioBlue (polarization), AP series, EduBlue, StereoBlue
• mechanics	Manufacturing and quality inspection of mechanical parts	bScope® (materials), EduBlue, StereoBlue, NexiusZoom, MacroZoom
• microbiology	Study of microscopic uni-, multi- or acellular small organisms such as protozoa, algae, bacteria and more. Identification and classification	EcoBlue, BioBlue, bScope®, Delphi-X Observer
• mycology	Study of fungi as branch of biology. Identification and classification	EcoBlue, BioBlue, BioBlue.Lab, bScope®, AP series, EduBlue, StereoBlue
• petrology	Study of the composition and structure of rocks as branch of geology. Identification by means of polarization microscopes	EcoBlue (polarization), BioBlue (polarization), AP series, EduBlue, StereoBlue
• zoology	Animal biology. Study of invertebrates and vertebrates and related branches	EcoBlue, BioBlue, BioBlue.Lab, bScope®, AP series, EduBlue, StereoBlue, MacroZoom

UNIVERSITY LABS FIELD OF APPLICATION RECOMMENDED MODELS

• agronomy & forestry	Selective breeding of plants, fruit and production of food from plants, wood from trees, fuel. Plant physiology and genetics research	BioBlue.Lab, bScope®, iScope®, Oxion, StereoBlue, NexiusZoom, DZ series, MacroZoom
• anatomopathology	Diagnosis of diseases of organs or tissues. Cytopathology and forensic pathology	BioBlue.Lab, bScope®, iScope®, Oxion, Delphi-X Observer, NexiusZoom, DZ series
• asbestos control	Research of asbestos fibers, environmental protection during restoration of older buildings	iScope® (asbestos and polarization), NexiusZoom, DZ series, Z series
• bacteriology	Study of bacteria as subdivision of microbiology. Identification, classification	BioBlue.Lab, bScope®, iScope®, Oxion, Delphi-X Observer
• biochemistry	Study of chemical processes within living organism. Identification and classification of enzymes and structure of biomolecules	BioBlue.Lab, bScope®, iScope®, Oxion, Delphi-X Observer
• biomedical	Study of medical microbiology, virology, epidemiology, biomedical engineering	BioBlue.Lab, iScope®, Oxion, Delphi-X Observer
• biotechnology	Study of living organism in order to make food products, for plant protection (genetically modified organism) and other bio-process engineering. Development of pharmaceutical drugs, genetic testing, enzymes production, biofuels, textile	BioBlue.Lab, bScope®, iScope®, Oxion, Delphi-X Observer, StereoBlue, NexiusZoom, DZ series
• botany	Study of plants as branch of biology. Plant anatomy and morphology. Plant genetics and ecology. Plant biochemistry	BioBlue.Lab, bScope®, StereoBlue, NexiusZoom, DZ series, MacroZoom
• cell culture	Controlled growing of cells and tissues, fungal culture and microbiological culture	Delphi-X Inverso, Oxion Inverso, NexiusZoom, DZ series
• chemistry	Study of the composition and properties of chemicals	iScope® (materials and polarization), Oxion (materials), bScope® (materials), NexiusZoom, DZ series
• cosmetics	Research, development and testing (safety) of substances for make-up or perfume	iScope® (materials), Oxion (materials), bScope® (materials), NexiusZoom, DZ series
• cytology	Study of cell structure, function and chemistry. Detection of cellular diseases	BioBlue.Lab, iScope®, Oxion, Delphi-X Observer
• dermatology	Study and diagnosis, treatment of skin, nails and hair diseases	iScope®, Oxion, NexiusZoom, StereoBlue, DZ series, MacroZoom
• digital imaging	Observation and analysis of microscope images, save and share captured images and videos	CMEX cameras, CCD cameras, HD cameras, Cooled cameras, EduPad, ProPad
• electronics	Development, production, assembly and inspection of electronic components or circuitry	iScope® (materials), Oxion (materials), bScope® (materials), StereoBlue, NexiusZoom, DZ series, Z series, MacroZoom
• embryo collection	Embryo collection and transfer in mares, pigs, cows. Quality control	NexiusZoom, DZ series, Z series

• embryology	Study of gametes, embryos and fetuses	BioBlue.Lab, iScope®, Oxion, StereoBlue, NexiusZoom, DZ series
• entomology	Study of insects as branch of zoology. Identification and classification of beetles, flies, termites, moths and butterflies, bees, ants, wasps	BioBlue.Lab, bScope®, iScope®, Oxion, StereoBlue, NexiusZoom, DZ series, MacroZoom
• environmental	Monitoring of environmental conditions such as water, atmosphere, ecosystems, soil and pollution	BioBlue.Lab, bScope®, iScope®, Oxion, StereoBlue, NexiusZoom, DZ series
• fluorescence	Study of living and non living materials with the help of fluorescence markers (fluorochromes)	iScope® (fluorescence), Oxion (fluorescence), Delphi-X Observer (fluorescence), Oxion Inverso (fluorescence), bScope® (fluorescence), DZ series
• food and beverages	Quality and safety controls, before, during and after the production of food and beverages	BioBlue.Lab, bScope®, iScope®, Oxion
• forensics	Analysis of scientific evidence. Toxicology, fingerprints, Forensic anthropology and archeology, forensic botany and entomology	BioBlue.Lab, iScope®, iScope® (materials and polarization), Oxion, Oxion (materials), Oxion Inverted, Oxion Inverted (materials), NexiusZoom, DZ series, Z series
• genetics	Study of genes, heredity in living organisms including bacteria, plants, animals and humans	iScope®, Oxion, Delphi-X Observer, DZ series
• geology, mineralogy	Earth Science; Study of solids, rocks and processes Identification and classification of rocks and minerals	iScope® (materials), Oxion (materials), bScope® (materials), StereoBlue, NexiusZoom, DZ series, MacroZoom
• geology, petrology	Identification by means of petrographic microscopy	iScope® (polarization), Delphi-X Observer (polarization), StereoBlue, NexiusZoom, DZ series
• glass industry	Quality control, before, during and after the production of glass and coatings	iScope® (materials), Oxion (materials), Oxion Inverso (materials), bScope® (materials), StereoBlue, NexiusZoom, DZ series
• hematology	Study and diagnosis, treatment and prevention of diseases of the blood	iScope®, bScope® (darkfield), iScope® (darkfield), Oxion, Oxion (darkfield)
• histopathology	Microscopic examination of tissue, diagnosis of diseases	iScope®, Oxion, Delphi-X Observer
• horticulture	Selective breeding of plants and fruit for production of food	BioBlue.Lab, bScope®, iScope®, Oxion, StereoBlue, NexiusZoom, DZ series, MacroZoom
• in vitro fertilization	In vitro fertilization IVF. Quality control of collected egg and sperm	StereoBlue, NexiusZoom, DZ series, Z series
• marine Biology	Study of organisms living in the ocean or seas as branch of biology	bScope®, BioBlue.Lab, iScope®, Oxion
• mechanics	Manufacturing and quality inspection of mechanical parts	Delphi-X Observer (materials), iScope® (materials), Oxion (materials), Oxion Inverso (materials), bScope® (materials), StereoBlue, NexiusZoom, DZ series, MacroZoom
• metallurgy	Manufacturing and quality inspection of metallic elements, intermetallic compounds and alloys	Delphi-X Observer (materials), iScope® (materials), Oxion (materials), bScope® (materials), StereoBlue, NexiusZoom, DZ series, MacroZoom
• microbiology	Study of microscopic uni-, multi- or acellular small organisms such as protozoa, algae, bacteria and more	iScope®, Oxion, StereoBlue, NexiusZoom, DZ series
• mycology	Study of fungi as branch of biology	BioBlue.Lab, bScope®, iScope®, Oxion, StereoBlue, NexiusZoom, DZ series

• mining	Extraction of minerals for identification, quantitative and qualitative evaluation of minerals	iScope® (materials and polarization), Oxion (materials and polarization), Oxion Inverso (materials), bScope® (materials), StereoBlue, NexiusZoom, DZ series, MacroZoom
• neuropathology	Study and diagnosis of diseases in nervous system tissue	Delphi-X Observer, iScope®, Oxion, StereoBlue, NexiusZoom, DZ series
• oncology	Study and diagnosis, treatment and prevention of cancers	Delphi-X Observer, iScope®, Oxion
• ornithology	Study of birds as branch of zoology. Diagnosis of diseases in birds such as competition pigeons	BioBlue.Lab, bScope®, iScope®, Oxion, StereoBlue, NexiusZoom, DZ series
• paleontology	Study of fossils in order to determinate organisms evolution	iScope® (materials), Oxion (materials), bScope® (materials), StereoBlue, NexiusZoom, DZ series, MacroZoom
• paper industry	Production of paper related products. Quality inspection	iScope® (materials), Oxion (materials), bScope® (materials), StereoBlue, NexiusZoom, DZ series, MacroZoom
• parasitology	Study of parasites, medical and veterinary	BioBlue.Lab, bScope®, iScope®, Oxion, StereoBlue, NexiusZoom, DZ series, MacroZoom
• pathology	Study and diagnosis of diseases	Delphi-X Observer, iScope®, Oxion
• petrochemical	Research and transformation of crude oil and natural gas	iScope® (materials), Oxion (materials), bScope® (materials), StereoBlue, NexiusZoom, DZ series
• petrology	Study of the composition and structure of rocks as branch of geology. Identification by means of polarization	iScope® (polarization), StereoBlue, NexiusZoom, DZ series
• pharmaceutics	Development and production of drugs for medication. Quality assurance and inspection of produced products	Delphi-X Observer, iScope® (polarization), StereoBlue, NexiusZoom, DZ series
• phytopathology	Study and diagnosis of plant diseases	BioBlue.Lab, bScope®, iScope®, Oxion, StereoBlue, NexiusZoom, DZ series
• plastics	Development and production of plastics and plastic based compounds. Quality assurance and inspection	iScope® (materials), Oxion (materials), Oxion Inverso (materials), bScope® (materials), StereoBlue, NexiusZoom, DZ series
• textile	Development and production of all kinds of textile based products. Quality assurance and inspection	iScope® (materials), Oxion (materials), bScope® (materials), AP series, StereoBlue, NexiusZoom, DZ series, MacroZoom
• veterinary medicine	Prevention, diagnosis and treatment of diseases, injuries in animals	BioBlue.Lab, bScope®, iScope®, Oxion, Oxion Inverso, StereoBlue, NexiusZoom, DZ series
• virology	Study and diagnosis of viruses and virus-like agents	Delphi-X Observer, iScope®, Oxion, BioBlue.Lab, bScope®
• water treatment	Production of drinking water and wastewater treatment. Quality control and disease prevention	BioBlue.Lab, bScope®, iScope®, Oxion
• wood production	Wood production for construction material, fuel. Quality control	iScope® (materials), Oxion (materials), Oxion Inverso (materials), bScope® (materials), AP series, StereoBlue, NexiusZoom, DZ series, MacroZoom
• zoology	Animal biology. Study of invertebrates and vertebrates and related branches	BioBlue.Lab, bScope®, iScope®, Oxion, StereoBlue, NexiusZoom, DZ series

• agronomy & forestry	Selective breeding of plants, fruit and production of food from plants, wood from trees, fuel. Plant physiology and genetics research	BioBlue.Lab, bScope®, iScope®, Oxion, StereoBlue, NexiusZoom, DZ series, MacroZoom
• anatomopathology	Diagnosis of diseases of organs or tissues. Cytopathology and forensic pathology	Delphi-X Observer, iScope®, bScope®, BioBlue.Lab, Oxion, StereoBlue, NexiusZoom, DZ series
• bacteriology	Study of bacteria as subdivision of microbiology. Identification, classification	BioBlue.Lab, bScope®, iScope®, Oxion, Oxion Inverso, Delphi-X Observer
• biochemistry	Study of chemical processes within living organism. Identification and classification of enzymes and structure of biomolecules	BioBlue.Lab, bScope®, iScope®, Oxion
• biomedical	Study of medical microbiology, virology, epidemiology, biomedical engineering	Delphi-X Observer, iScope®, bScope®, BioBlue.Lab, Oxion
• biotechnology	Study of living organism in order to make food products, for plant protection (genetically modified organism) and other bioprocess engineering. Development of pharmaceutical drugs, genetic testing, enzymes production, biofuels, textile	Delphi-X Observer, iScope®, bScope®, BioBlue.Lab, Oxion, NexiusZoom, DZ series, MacroZoom
• botany	Study of plants as branch of biology. Plant anatomy and morphology. Plant genetics and ecology. Plant biochemistry	BioBlue.Lab, iScope®, Oxion, StereoBlue, NexiusZoom, DZ series
• cell culture	Controlled growth of cells and tissues, fungal culture and microbiological culture	Delphi-X Inverso, Oxion Inverso, NexiusZoom, DZ series
• chemistry	Study of the composition and properties of chemicals	iScope® (materials and polarization), Oxion (materials), bScope® (materials), NexiusZoom, DZ series
• cosmetics	Research, development and testing (safety) of substances for make-up or perfume	bScope® (materials), iScope® (materials), NexiusZoom, Oxion (materials), DZ series
• cytology	Study of cell structure, function and chemistry. Detection of cellular diseases	Delphi-X Observer, iScope®, bScope®, BioBlue.Lab, Oxion
• dermatology	Study and diagnosis, treatment of skin, nails and hair diseases	iScope®, Oxion, NexiusZoom, StereoBlue, DZ series, MacroZoom
• digital imaging	Observation and analysis of microscope images, save and captured the images and videos	CMEX cameras, CCD cameras, HD cameras, Cooled cameras, ProPad, MacroZoom
• embryo collection	Embryo collection and transfer in mares, pigs, cows. Quality control	NexiusZoom, DZ series, Z series
• embryology	Study of gametes, embryos and fetuses	BioBlue.Lab, bScope®, iScope®, Oxion, NexiusZoom, DZ series, Z series
• entomology	Study of insects as branch of zoology. Identification and classification of beetles, flies, termites, moths and butterflies, bees, ants, wasps	BioBlue.Lab, bScope®, iScope®, Oxion, StereoBlue, NexiusZoom, DZ series, MacroZoom
• environmental	Monitoring of environmental conditions such as water, atmosphere, ecosystems, soil and pollution	BioBlue.Lab, bScope®, iScope®, Oxion, StereoBlue, NexiusZoom, DZ series
• fluorescence	Study of living and non living material with the help of fluorescence markers (fluorochromes)	Delphi-X Observer (fluorescence), iScope® (fluorescence), Oxion (fluorescence), Oxion Inverso (fluorescence), bScope® (fluorescence), DZ series
• forensics	Analysis of scientific evidence. Toxicology, fingerprints, Forensic anthropology and archeology, forensic botany and entomology	BioBlue.Lab, bScope®, iScope®, Delphi-X Observer, Oxion, Oxion Inverted, NexiusZoom, DZ series, Z series

• food and beverages	Quality and safety controls, before, during and after the production of food and beverages	BioBlue.Lab, bScope®, iScope®, Oxion
• genetics	Study of genes, heredity in living organism including bacteria, plants, animals and humans	Delphi-X Observer, iScope®, Oxion, DZ series
• hematology	Study and diagnosis, treatment and prevention of diseases of the blood	Delphi-X Observer, iScope®, bScope® (dark field), iScope® (darkfield), Oxion, Oxion (darkfield), iScope®, Oxion
• histopathology	Microscopic examination of tissue, diagnosis of diseases	Delphi-X Observer, iScope®, Oxion
• horticulture	Selective breeding of plants and fruit for production of food	BioBlue.Lab, bScope®, iScope®, Oxion, StereoBlue, NexiusZoom, DZ series, MacroZoom
• histopathology	Microscopic examination of tissue, diagnosis of diseases	iScope®, Oxion
• in vitro fertilization	In vitro fertilization IVF. Quality control of collected egg and sperm	StereoBlue, NexiusZoom, DZ series, Z series
• marine miology	Study of organisms living in the ocean or seas as branch of biology	iScope®, Oxion, NexiusZoom, DZ series
• microbiology	Study of microscopic uni-, multi- or acellular small organisms such as protozoa, algae, bacteria and more. Identification and classification	Delphi-X Observer, iScope®, Oxion, NexiusZoom, DZ series
• mycology	Study of fungi as branch of biology. Identification and classification	BioBlue.Lab, bScope®, iScope®, Oxion, StereoBlue, NexiusZoom, DZ series
• neuropathology	Study and diagnosis of diseases in nervous system tissue	Delphi-X Observer, iScope®, Oxion, NexiusZoom, DZ series
• oncology	Study and diagnosis, treatment and prevention of cancers	Delphi-X Observer, iScope®, Oxion
• parasitology	Study of parasites, medical and veterinary	BioBlue.Lab, bScope®, iScope®, Oxion, StereoBlue, NexiusZoom, DZ series
• pathology	Study and diagnosis of diseases	Delphi-X Observer, iScope®, Oxion
• pharmaceutics	Development and production of drugs for medication. Quality assurance and inspection of produced products	iScope® (polarization), StereoBlue, NexiusZoom, DZ series
• phytopathology	Study and diagnosis of plant diseases	BioBlue.Lab, bScope®, iScope®, Oxion, StereoBlue, NexiusZoom, DZ series, MacroZoom
• veterinary medicine	Prevention, diagnosis and treatment of diseases, injuries on animals	BioBlue.Lab, bScope®, iScope®, Oxion, Oxion Inverso, StereoBlue, NexiusZoom, DZ series
• virology	Study and diagnosis of viruses and virus-such as agents	Delphi-X Observer, BioBlue.Lab, bScope®, iScope®, Oxion
• water treatment	Production of drinking water and wastewater treatment. Quality control and disease prevention	BioBlue.Lab, bScope®, iScope®, Oxion
• zoology	Animal biology. Study of invertebrates and vertebrates and related branches	BioBlue.Lab, bScope®, iScope®, Oxion, StereoBlue, NexiusZoom, DZ series

INDUSTRY	FIELD OF APPLICATION	RECOMMENDED MODELS
• aerospace	Manufacturing and quality inspection of rockets and space vehicles related parts	iScope® (materials), Oxion (materials), NexiusZoom, DZ series, Z series
• agronomy & forestry	Selective breeding of plants, fruit and production of food from plants, wood from trees, fuel. Plant physiology and genetics research	BioBlue.Lab, bScope®, iScope®, Oxion, StereoBlue, NexiusZoom, DZ series, MacroZoom
• asbestos control	Research of asbestos fibers, environmental protection during restoration of older buildings	iScope® (asbestos and polarization), NexiusZoom, DZ series, Z series
• automotive	Manufacturing and quality inspection of automotive related parts	iScope® (materials), Oxion Inverso (materials), NexiusZoom, DZ series, Z series
• avionics	Manufacturing and quality inspection of aircraft related parts	iScope® (materials), NexiusZoom, DZ series
• biochemistry	Study of chemical processes within living organism. Identification and classification of enzymes and structure of biomolecules	BioBlue.Lab, iScope®, Oxion, NexiusZoom, DZ series
• chemistry	Study of the composition and properties of chemicals	iScope® (materials), Oxion (materials)
• cosmetics	Research, development and testing (safety) of substances for make-up or perfume	bScope® (materials), iScope® (materials), Oxion (materials), NexiusZoom, DZ series
• digital imaging	Observation and analysis of microscope images, save and captured the images and videos	CMEX cameras, CCD cameras, HD cameras, ProPad, MacroZoom
• electronics	Development, production, assembling and inspection of electronic components or circuitry	iScope® (materials), Oxion (materials), NexiusZoom, DZ series, Z series, BE-50 LED, MacroZoom
• environmental	Monitoring of environmental conditions such as water, atmosphere, ecosystems, soil and pollution	BioBlue.Lab, bScope®, iScope®, Oxion, StereoBlue, NexiusZoom, DZ series
• food and beverages	Quality and safety controls, before, during and after the production of food and beverages	BioBlue.Lab, bScope®, iScope®, Oxion
• forensics	Analysis of scientific evidence. Toxicology, fingerprints, Forensic anthropology and archeology, forensic botany and entomology	BioBlue.Lab, bScope®, bScope® (materials), iScope®, iScope® (materials and polarization), Oxion, Oxion (materials), Oxion Inverted, Oxion Inverted (materials), NexiusZoom, DZ series, Z series
• geology, mineralogy	Earth science that study the solid, rocks and processes. Identification and classification of rocks and minerals	iScope® (materials), Oxion (materials), Oxion Inverso (materials), B+ (materials), StereoBlue, NexiusZoom, DZ series, MacroZoom
• geology, petrology	Identification by means of an petrographic microscope	iScope® (polarization)
• glass industry	Quality control, before, during and after the production of glass and coatings	iScope® (materials), Oxion (materials), Oxion Inverso (materials), bScope® (materials), StereoBlue, NexiusZoom, DZ series
• horticulture	Selective breeding of plants and fruit for production of food	BioBlue.Lab, bScope®, iScope®, Oxion, StereoBlue, NexiusZoom, DZ series, MacroZoom
• jewelry	Precise manufacturing of very small decorative items such as brooches, rings, bracelets and more	BE-50 LED series, StereoBlue, NexiusZoom, DZ series, Z series

INDUSTRY	FIELD OF APPLICATION	RECOMMENDED MODELS
• mechanics	Manufacturing and quality inspection of mechanical parts	iScope® (materials), Oxion (materials), Oxion Inverso (materials), bScope® (materials), StereoBlue, NexiusZoom, DZ series, MacroZoom
• metallurgy	Manufacturing and quality inspection of metallic elements, intermetallic compounds and alloys	iScope® (materials), Oxion (materials), Oxion Inverso (materials), bScope® (materials), StereoBlue, NexiusZoom, DZ series, MacroZoom
• mining	Extraction of minerals Identification, quantitative and qualitative evaluation of minerals	iScope® (materials and polarization), Oxion (materials and polarization), Oxion Inverso (materials), bScope® (materials), StereoBlue, NexiusZoom, DZ series
• paper industry	Production of paper related products. Quality inspection	iScope® (materials), Oxion (materials), bScope® (materials), StereoBlue, NexiusZoom, DZ series, MacroZoom
• petrochemical	Research and transformation of crude oil and natural gas	iScope® (materials), Oxion (materials), bScope® (materials), StereoBlue, NexiusZoom, DZ series
• petrology	Study of the composition and structure of rocks as branch of geology. Identification by means of polarization microscopy	iScope® (polarization), StereoBlue, NexiusZoom, DZ series
• pharmaceuticals	Development and production of drugs for medication. Quality assurance and inspection of produced products	iScope® (polarization), StereoBlue, NexiusZoom, DZ series
• plastics	Development and production of plastics and plastic based compounds. Quality assurance and inspection	iScope® (materials), Oxion (materials), Oxion Inverso (materials), bScope® (materials), StereoBlue, NexiusZoom, DZ series
• printing industry	Production of relief printing, lithography	iScope® (materials), Oxion (materials), bScope® (materials), AP series, StereoBlue, NexiusZoom, DZ series, MacroZoom
• textile	Development and production of all kinds of textile based products. Quality assurance and inspection	iScope® (materials), Oxion (materials), Oxion Inverso (materials), B+ (materials), AP series, StereoBlue, NexiusZoom, DZ series, MacroZoom
• water treatment	Production of drinking water and wastewater treatment. Quality control and disease prevention	BioBlue.Lab, bScope®, iScope®, Oxion
• wood production	Wood production for construction material, fuel. Quality control	iScope® (materials), Oxion (materials), Oxion Inverso (materials), B+ (materials), AP series, StereoBlue, NexiusZoom, DZ series, MacroZoom

index

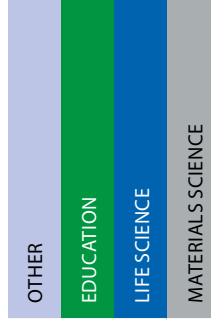


PRODUCT

	P	A	G	E
Abbe refractometer	391			
About -				
- differential interference contrast				319
- field of view			253	345
- fluorescence			183	
- microscope basics		21		
- microscope optics			233	
- objectives		15		
- petrological microscopy				327
- stereo microscopes				287
Accessories for microscopy	352			
Adapter guide		104	258	350
AP series		68		
Asbestos research microscopes				294
Autofocus cameras		92	248	340
BE-50 Series				294
BioBlue		22		
BioBlue digital		78	236	
BioBlue.Lab		28	142	
Biological microscopes		8	106	
bScope biological		32	118	
bScope digital		80	238	330
bScope fluorescence			166	
bScope materials				308
CMEX Pro USB-3.0 cameras		90	246	338
CMEX USB-2.0 cameras		88	245	337
CMEX-WIFI camera		96	244	336
Cold light sources	342			
Cooled camera		97	252	344
Delphi-X Inverso biological			152	

PRODUCT

	P	A	G	E
Delphi-X Inverso fluorescence			190	
Delphi-X Observer fluorescence			170	
Delphi-X Observer biological			126	
Delphi-X Observer fluorescence			172	
Delphi-X Observer materials				312
Differential interference contrast				311
Digital MacroZoom		86	240	332
Digital microscopes		74	236	330
Digital solutions		72	234	328
Disposables	378			
Dissection instruments	362			
Dissection kits	364			
DZ series			218	282
EcoBlue		16		
Ecoblue digital		76		
EduBlue		48		
EduBlue digital		82		
EduBlue LCD		84		
EduPad		98		
EduZoom		84		
Eyepiece cameras		86		
Field of view			245	331
Fluorescence filter sets			198	
Fluorescence LED light sources			196	
Fluorescence microscopes			158	
Handheld magnifiers	382			
Handheld refractometers	372			
Handheld spectrometers	348			
High definition cameras		92	248	340
How to keep the optics clean				299



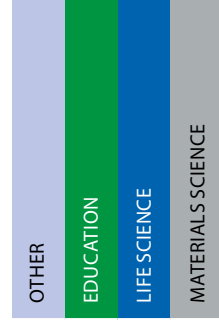
PRODUCT

	P	A	G	E
How to match camera resolution			243	
How to set up a stereo microscope		57	213	273
Illumination solutions	354			
ImageFocus software		102	256	348
Inverted biological			144	
Inverted fluorescence			182	
Inverted materials				316
iScope biological		38	108	
iScope fluorescence			160	
iScope materials				302
LED cold light sources	344			
LED ring light sources	344			
LED light sources fluorescence			196	
Light sources	340			
MacroZoom		86	240	332
Magnifiers	382			
Measuring microscopes	384			
MicroBlue		10		
MicroBlue digital		74		
Microscope basics		21		
Microscope optics			233	
NexiusZoom ESD				262
NexiusZoom and -EVO		58	204	262
NexiusZoom for gemology				274
Objectives		15		
Other products	380			
Optical instruments	380			
Oxion biological			136	
Oxion fluorescence			178	
Oxion Inverso biological			146	



PRODUCT

	P	A	G	E
Oxion Inverso materials				324
Oxion Inverso fluorescence			184	
Oxion materials				320
P series			230	296
PathoScan	396			
Petrological microscopy				319
Polarimeters	392			
Polarization microscopes			106	294
Polarization microscopes advanced				304
Preparation accessories	362			
Prepared slides	366			
Prepared slides Individual	360			
ProPad		100	254	346
Refractometers	386			
Ring lights	344			
sCMEX USB-3.0 camera		91	247	339
Software		102	256	348
Spectrometers	392			
Stains	379			
StereoBlue		52	214	278
Stereo microscopes		46	202	260
Stereo microscopes (about)				279
Tablet camera		98	254	346
USB 2 cameras		88	245	337
USB 3 cameras		90	246	338
WiFi camera		96	244	336
Z series			224	288



Since 1966!

Euromex MICROSCOPE COLLECTION 2020



The Euromex Quality System is certified according to ISO 9001:2015 and supports our pursuit of continuous improvement and our on-going commitment to provide our world-wide customers assurance of product quality

DISCLAIMER

All information and materials contained in this catalog have been prepared solely for the purpose of providing general information about the products offered by Euromex Microscopen bv. The content of and all information published in this catalog are provided in good faith as a convenience to you and may be used for information purposes only and at all times in accordance with these terms of access

Euromex Microscopen bv does not warrant the completeness or accuracy of information obtained from its catalog and does not undertake to update or correct its content or the information and/or materials contained on it on a regular basis

Euromex Microscopen bv reserves the right to make improvements and/or changes to (including the removal of) the products described or referred to in the catalog and to delete and/or move any such information at any time and without notice

Euromex is a registered trademark of Euromex Microscopen bv

© 2019 Copyright Euromex Microscopen bv

HEADQUARTERS

Euromex Microscopen bv

Papenkamp 20
6836 BD Arnhem
The Netherlands
Tel: +31 (0) 26 323 22 11
info@euromex.com

EUROPEAN SALES OFFICE

Euromex Microscopen Spain, S.L

Carretera de Barcelona 88, Entresuelo
Esc. B - Local 9
08302 Mataró, Spain
Tel: +34 (0) 937 415 609
info@euromex.com

www.euromex.com